

# User Manual

CITAQ T80 PLUS / T80 POS SYSTEM

Model: L15Q1\L15Q2\L15Q3\L15Q4\L15Q5

**Notice:**

- The main unit and switch should only be disassembled by qualified maintenance personnel.
- Battery replacement
  - 1、 Be sure to use the battery “CR2032”. There is a risk of explosion if you replace the battery with the wrong model!
  - 2、 After the replacement, please leave the battery to the maintenance personnel. DO NOT throw it into the fire

## I. Installation Guide

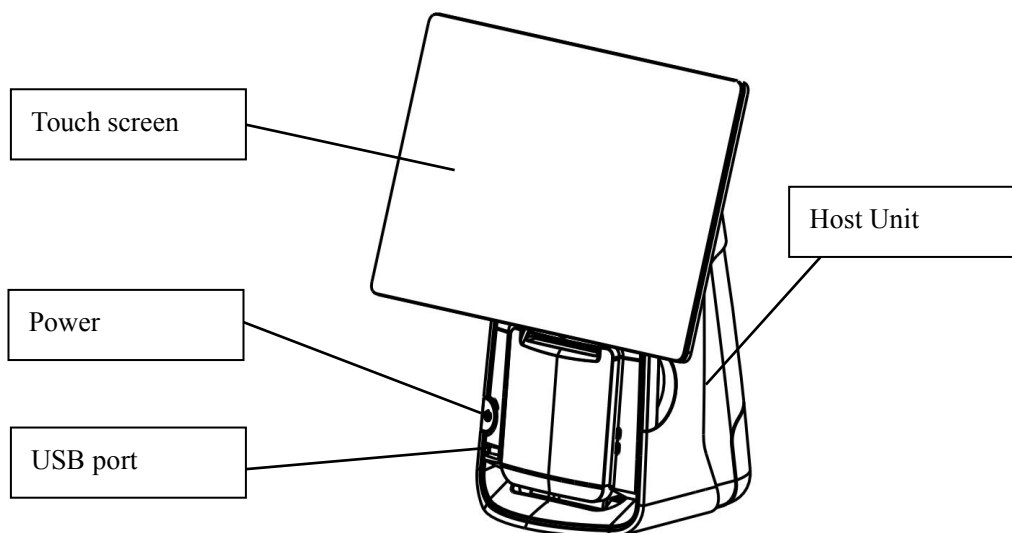
### 1. Characteristic and Application

With years of professional POS equipment manufacturing experience, we've learnt perfectly the needs of customers. Following the design concept of Yibao series, a hot sale series in the last ten years, we bring you a whole new POS series: Inpos series. It's a series with higher stability, more comprehensive performance, more stylish appearance for your better experience of quality. Also, it's high cost-effective just like the Yibao series. We are always by your side on the way to success.

The Inpos series POS system is designed for commercial using, such as shopping centers, department stores, supermarkets, and convenience stores.

### 2. Component of the machine

Its main components and functions are shown in the figure:



### 3. Parameters

CPU	Code name	Bay Trail
-----	-----------	-----------

	Model	Intel Celeron J1900
	Core number	Quad-Core
	Process	22nm
	Cache	2MB
GPU	Graphics Model	Intel® HD Graphics
	Frequency	688MHz

RAM	Model	DDR3L
	Memory	8GB
	Interface	SODIMM

HDD	Model	SSD
	Memory	128G
	Interface	MSATA

Touch Screen	Dimension	15.6"
	Type	Capacitive Touch screen
	Touch	Single Point Touch
	Technology	GFF
	Interface	IIC

Display	Dimension	15.6"
	Type	TN
	Resolution	1366*768
	Brightness	More than TYP220cd/m2, LED backlight
	Interface	eDP
	Rotation Angle	≥80°~45 °

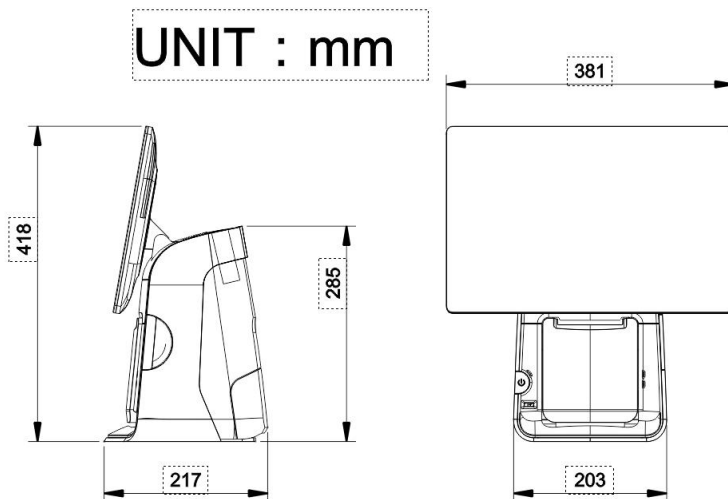
	Brightness	More than 22cd/m2
	Color	Orange
	Rotation Angle	≥80°~45 °
	Data Command	ESC/POS order set
	Interface	USB, Enumeration System Serial port

Speaker	Power	1W*2
	Volume	≥90dB
	Interface	Audio L/R
	Sound Track	Left and right soundtrack

External interface	USB 2.0	Rare x 5
	USB3.0	Front x 1
	LAN	RJ45 x 1,100/1000M Self-adjusting
	Serial Port	DB9 x 2, available for 0V\5V\12V
	Audio Jack	3.5mm x1
	Cashdrawer port	RJ12,6P6C x 1

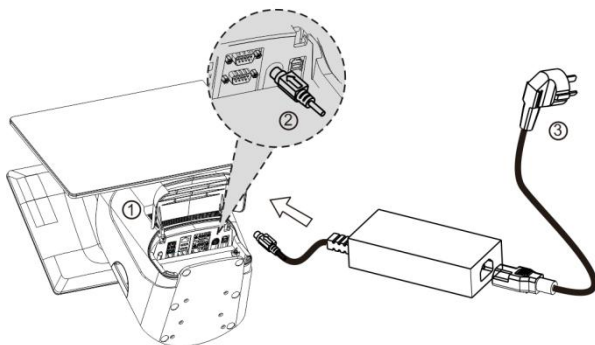
	Power interface	DIN 4PIN x 1
Switch		Light touch switch

Electrical parameters	
Operating Voltage	AC100~240V
Operating Current	1.5A
Operating Frequency	50Hz
Standby power	0.5W
Maximum operating power	90W
Operating temperature	0°C-50°C
Operating humidity	10%-90%
Packing	
Product Dimension	W*L*H mm
Net Weight	6.16Kg
Packing Dimension	L455*W308*H530mm
Gross Weight	7.16Kg
Appearance and dimension	As shown in the figure:



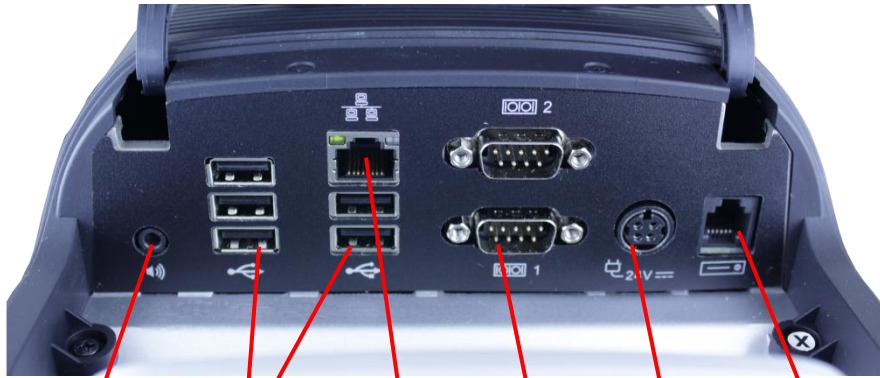
#### 4. Installation and operation guide of the machine

##### 4.1 Installation



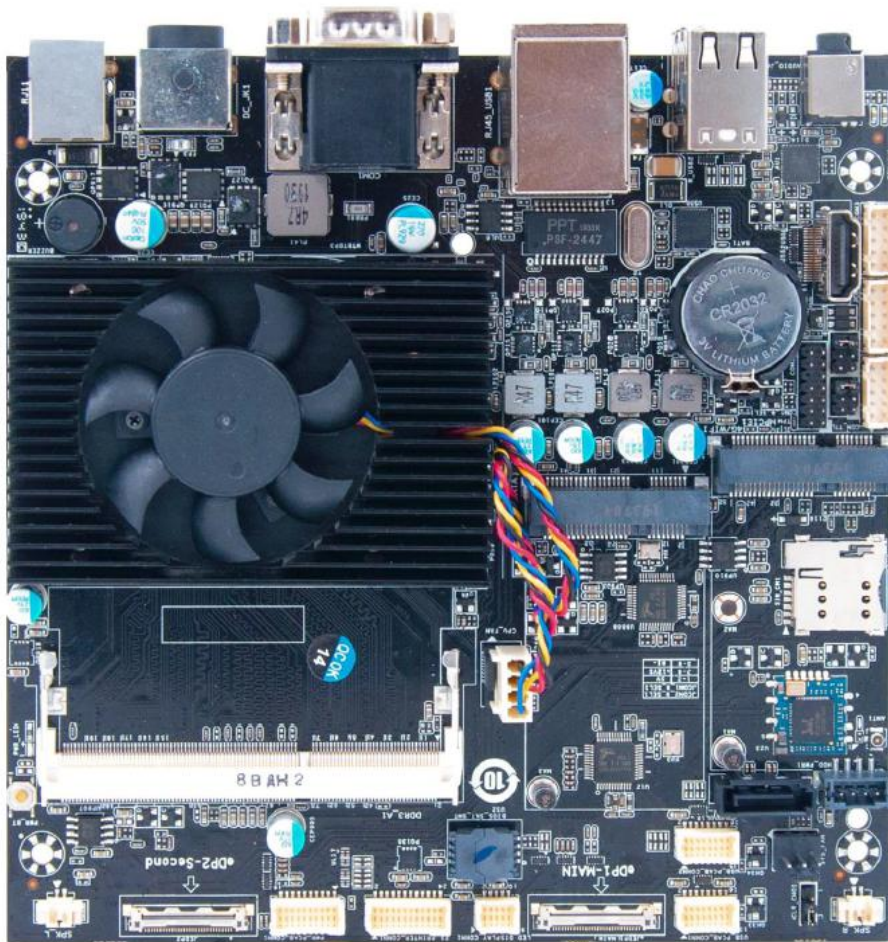
First, lift the cover of the main unit as shown in the figure (1), insert the 4pin plug into the host jack as shown in the figure(2), then plug the mains plug into the triple socket as shown in the figure(3).

### 4.2 Interfaces of the machine



Audio Jack      USB      LAN      COM      Power input      Cashdrawer port

### 4.3 Interface in the mainboard



FCC Caution.

This device complies with part 15 of the FCC Rules. Operation is subject to the following two conditions: (1) This device may not cause harmful interference, and (2) this device must accept any interference received, including interference that may cause undesired operation.

Any Changes or modifications not expressly approved by the party responsible for compliance could void the user's authority to operate the equipment.

Note: This equipment has been tested and found to comply with the limits for a Class B digital device, pursuant to part 15 of the FCC Rules. These limits are designed to provide reasonable protection against harmful interference in a residential installation. This equipment generates uses and can radiate radio frequency energy and, if not installed and used in accordance with the instructions, may cause harmful interference to radio communications. However, there is no guarantee that interference will not occur in a particular installation. If this equipment does cause harmful interference to radio or television reception, which can be determined by turning the equipment off and on, the user is encouraged to try to correct the interference by one or more of the following measures:

- Reorient or relocate the receiving antenna.
- Increase the separation between the equipment and receiver.
- Connect the equipment into an outlet on a circuit different from that to which the receiver is connected.
- Consult the dealer or an experienced radio/TV technician for help.

\*RF warning for Portable device:

The device has been evaluated to meet general RF exposure requirement. The device can be used in portable exposure condition without restriction.

.....

\*RF warning for Mobile device:

This equipment complies with FCC radiation exposure limits set forth for an uncontrolled environment. This equipment should be installed and operated with minimum distance 20cm between the radiator & your body.

.....