

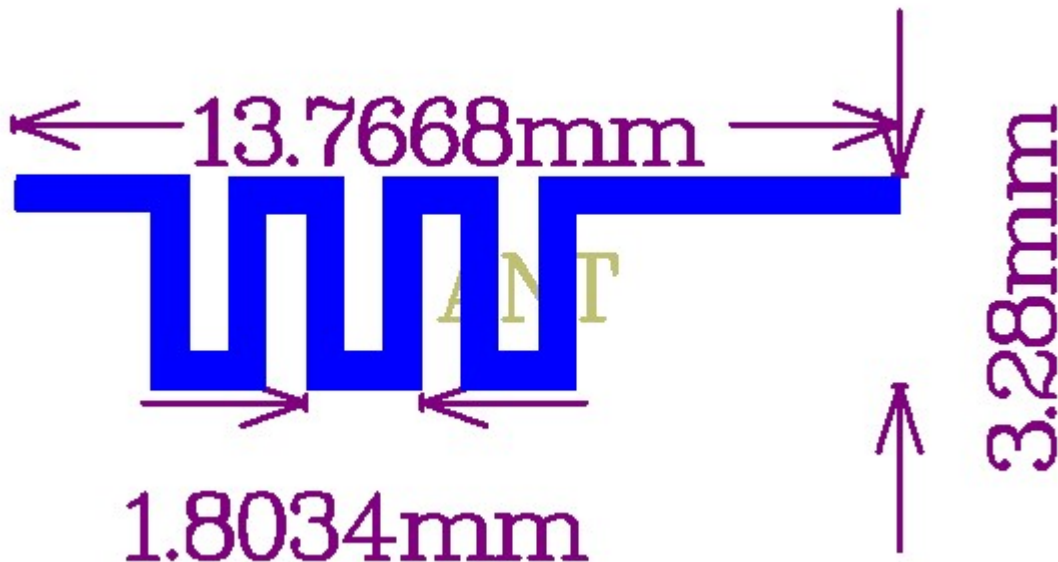
Antenna Specification

Specifications

ITEM	SPEC.	
Model Name	IBM 2.4 GHz	
Center Frequency	2402 MHz	2.08 dBi
	2440 MHz	1.83 dBi
	2480 MHz	1.15 dBi
MAX. GAIN	2.08dBi	
Polarization	Horizontal	
Azimuth Beam Pattern	Omni-directional	
Impedance	50 Ω	
Antenna Length	13.7668mm	

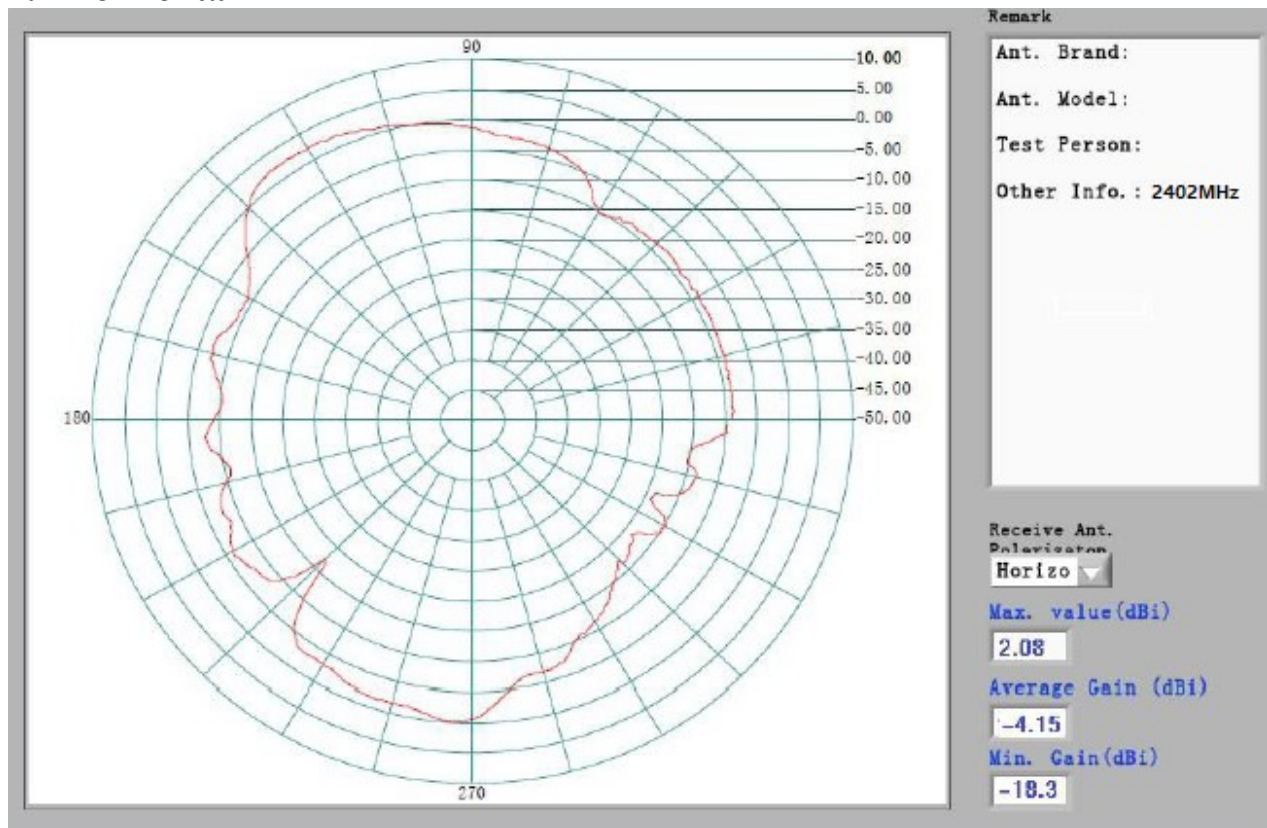
Manufacturer: EXPRESS LUCK INDUSTRIAL (ZHONGSHAN) LIMITED

Antenna Photo & Length

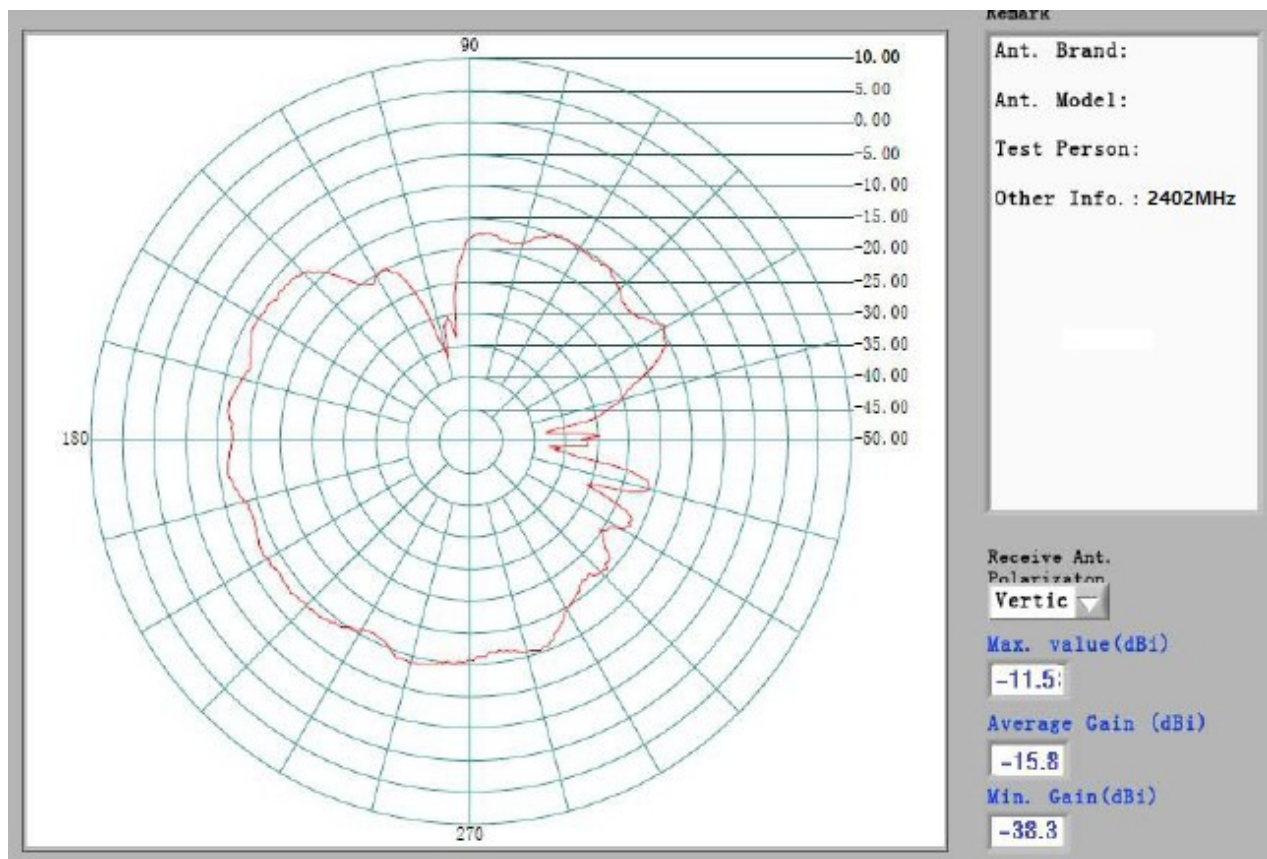


1. Main antenna : 2402 MHz

1.1 Horizontal

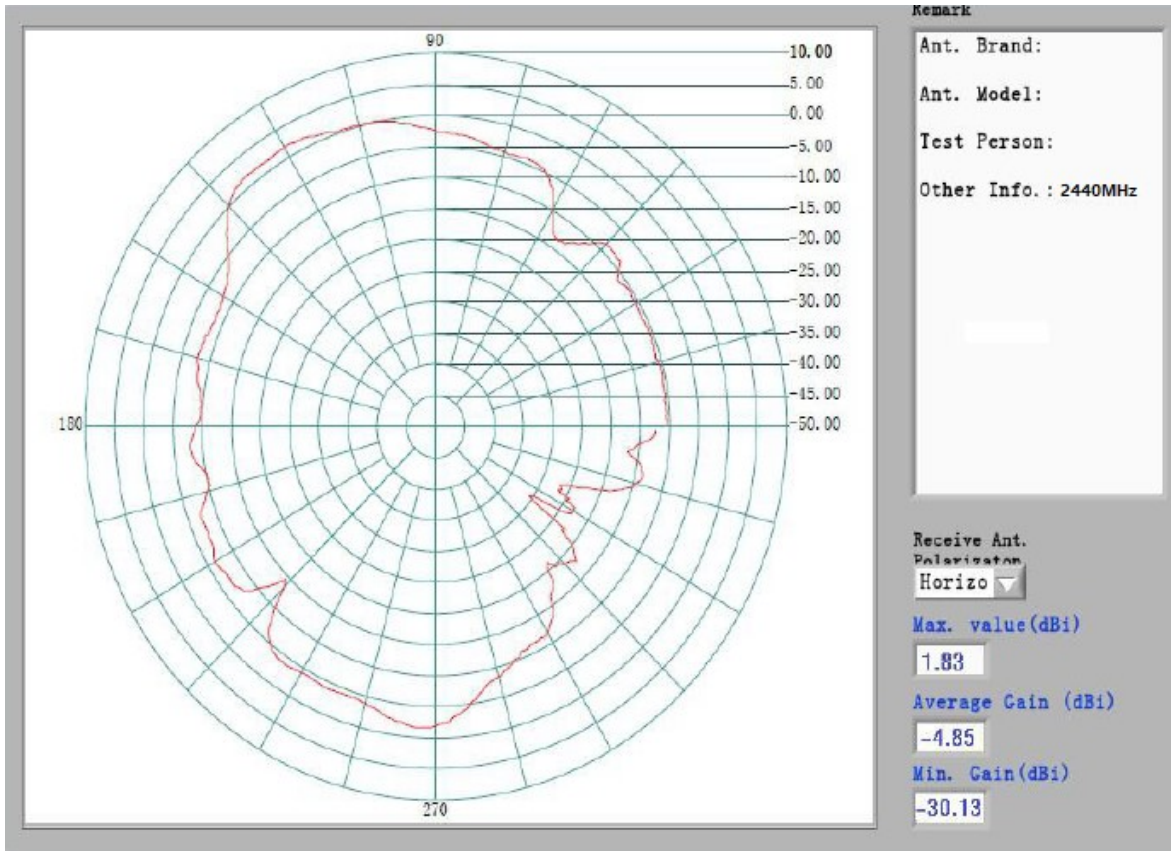


1.2 Vertical

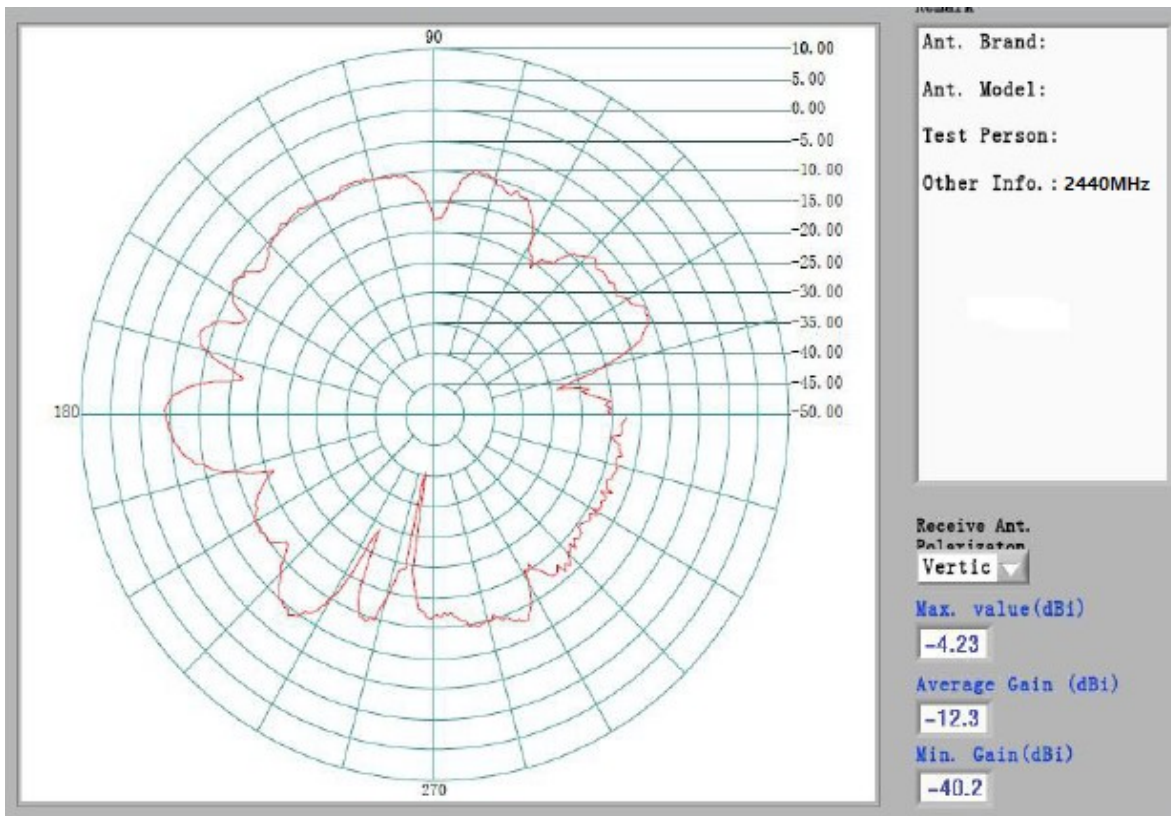


2. Main antenna : 2440 MHz

2.1 Horizontal

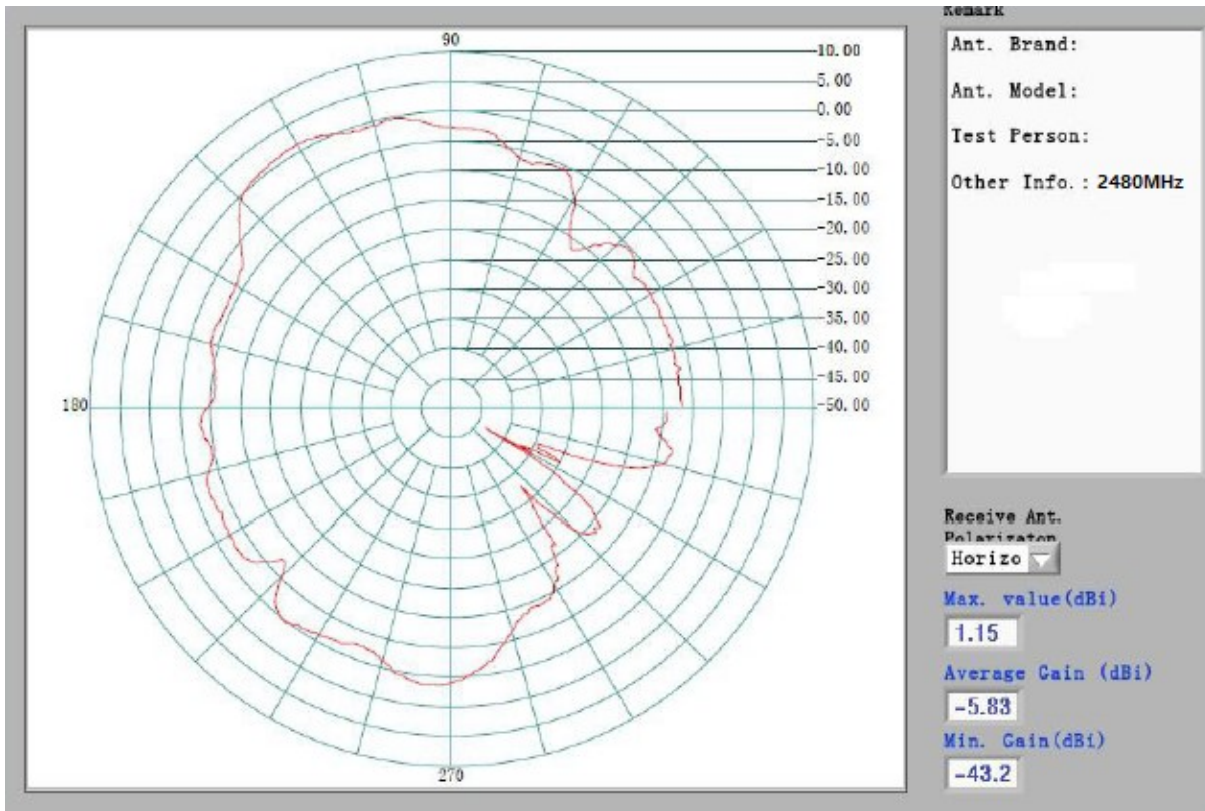


1.2 Vertical

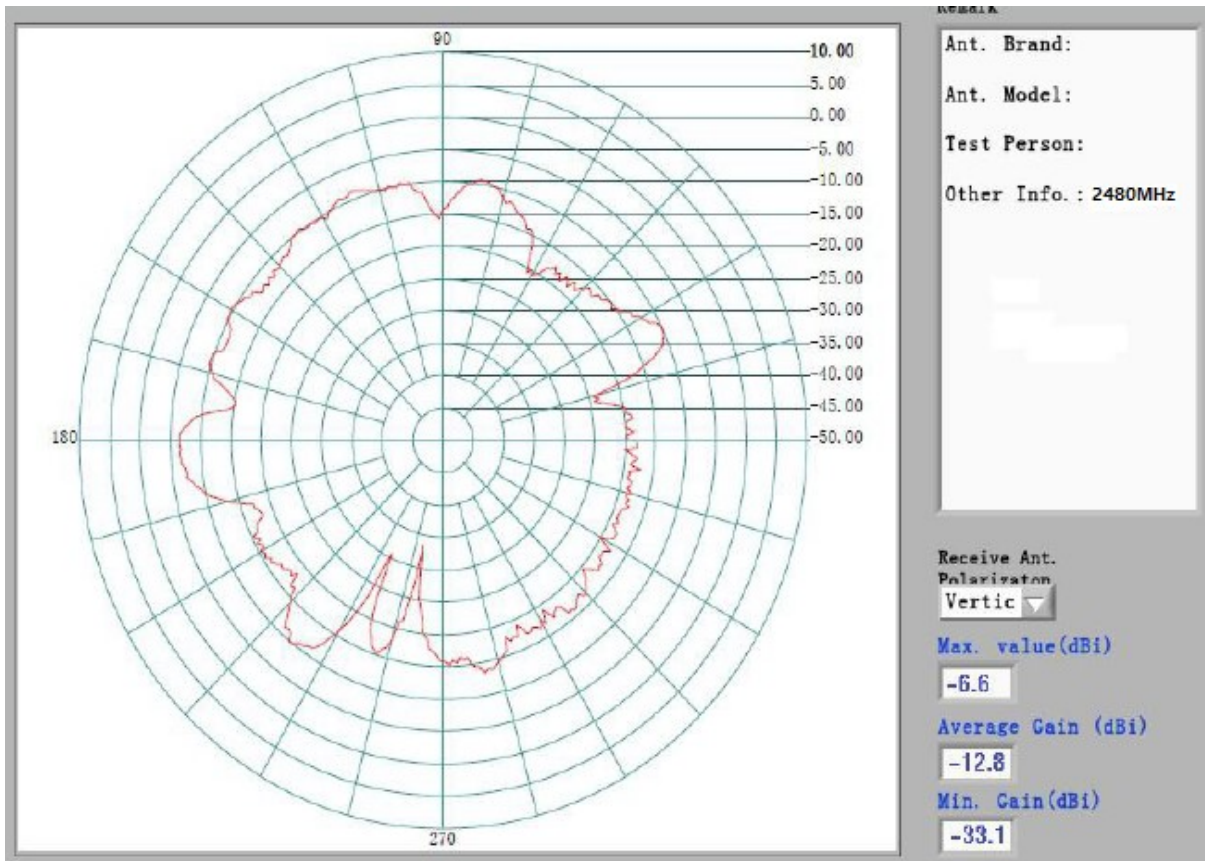


3. Main antenna : 2480 MHz

3.1 Horizontal



3.2 Vertical



4. Result

Center Frequency	Maximum Ant Gain	
2402 MHz	H	2.08 dBi
	V	-11.5 dBi
2440 MHz	H	1.83 dBi
	V	-4.23dBi
2480 MHz	H	1.15 dBi
	V	-6.6 dBi