



东莞市千木电子科技有限公司

Qianmu Electronics Technology Co. Ltd

样品规格书

客 户: _____

品 名: 2.4G天线

料 号: QM-A32

客户料号: _____

送样日期: 2024-01-20



客户确认			供应商确认	
工程部	品质部	生产部	核准	送样人
马明德	梁怀生	蔡良培		李君林

TEL : 0769-88002357 FAX: 0769-88002357

E-mail:276974640@qq.com

http://qianmugps.1688.com

目 录

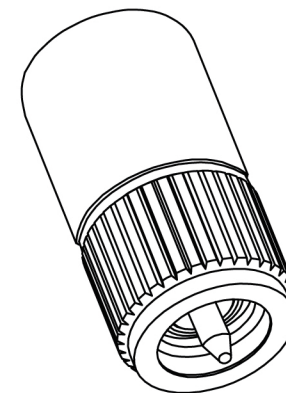
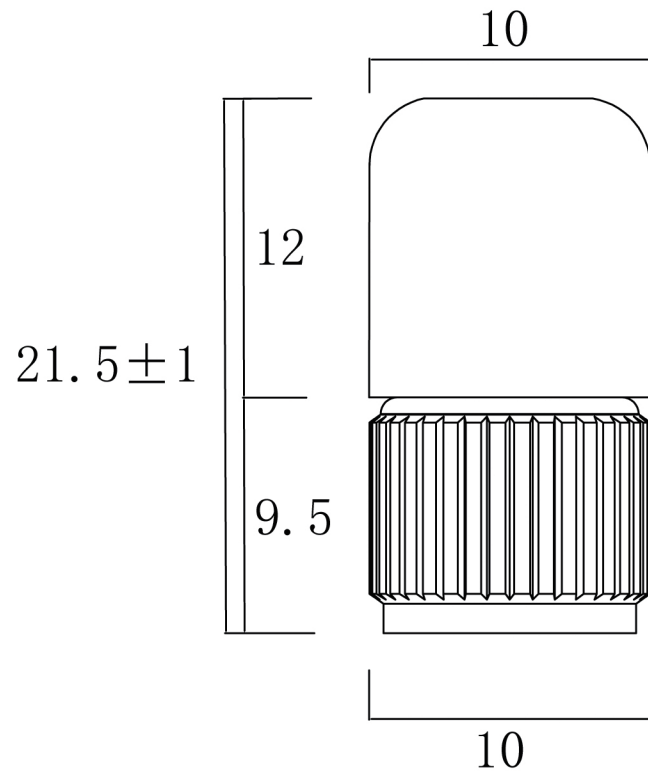
1.封面-----	1
2.目录-----	2
3.成品图面-----	3
4.测试报告-----	6

RoHS

Compatible

CUSTOMER	
PART NO	

REV.	DESCRIPTION	DATE
△	首次发行	2017.04.12



东莞市千木电子科技有限公司

PART NAME: 2.4G Antenna

PART NO.: DATE: 2024-02-23

APPROVED BY	CHECKED BY	DESIGNED BY	 Tolerance X.X ±0.50 X.XX±0.15 X° ±3°
UNITS: mm SCALE: 1/1 REVISION: A			

No.	Part Number	Description	Material	Finished	O'ty
2	HX-SMA-06	SMA 内针	铜	黑色	1
1	HX-AN68-08	本体	PC+ABS	黑色	1

4. Index:

1. Reliability Testing
2. Specification
3. S Parameter Test Data
4. Antenna Radiation Pattern



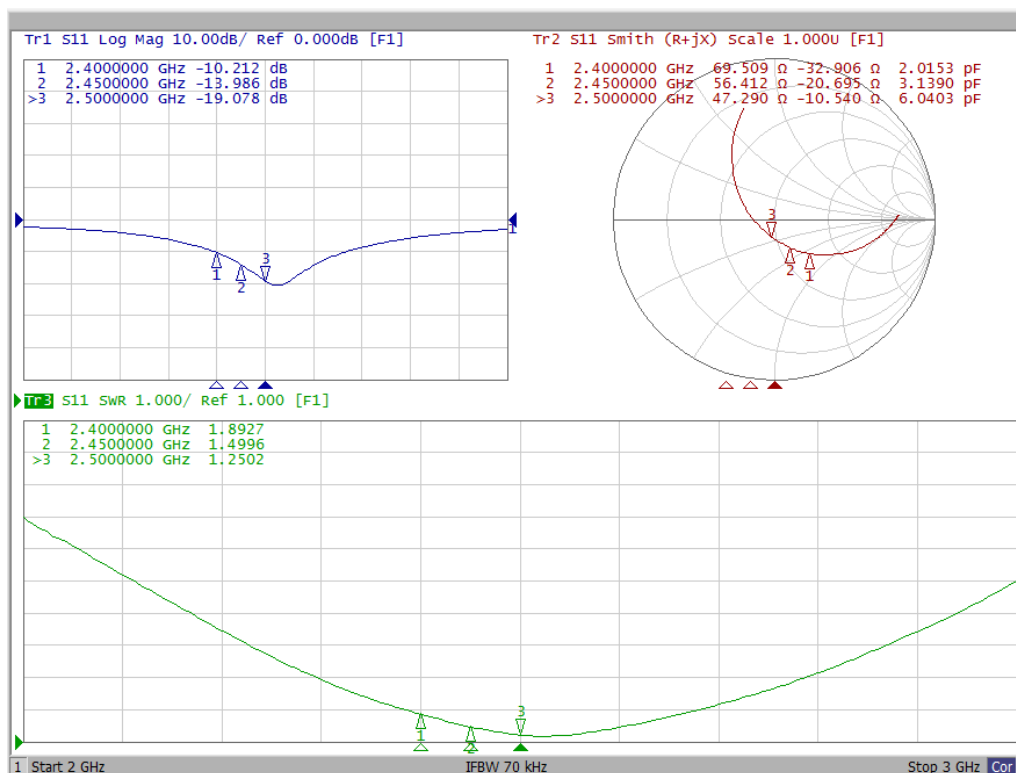
4.1 Reliability Testing

Test Item	Procedure	Requirement
1. Visual inspection and Dimension Check	Applicable methods using x5 magnification	follow specification
2. Rapid Changing of Temperature	-40°C (30minutes) to 90°C (30minutes); 24 cycles	After 2 hours recovery: 1. no visible damage 2. Freq. Tol.: < ±5%
3. Damp Heat	24 hours at 60°C; 90 ~ 95% RH	After 2 hours recovery: 1. no visible damage 2. Freq. Tol. : < ±5%
4. Endurance	24 hours at 90°C	After 2 hours recovery: 1. no visible damage 2. Freq Tol.: < ±5%
5. Connector Rotation Force	1200 – 1600 g.cm	1. no visible damage 2. Freq Tol.: < ±5%
6. Connector Pull Force	>= 5.0 Kg	1. no visible damage 2. Freq Tol.: < ±5%

4.2 Specification

A. Electrical Characteristics	
S.W.R	< 2.0 @ 2400-2500MHz
Antenna Gain	2dBi
Impedance	50 Ohm
B. Material	
Material	CU
Connector	SMA
C. Environmental	
Operation Temperature	- 30 °C ~ + 85 °C
Storage Temperature	- 30 °C ~ + 85 °C

4.3 S Parameter Test Data



4.4 Antenna Radiation Pattern

Testing Equipment Specification:

Antenna Anechoic Chamber Dimension: 8 x 4 x 4 m

Quiet Zone: 600mm @1 GHz

Isolation: >100dB @ 1 MHz ~ 10 GHz

Testing Equipment: Agilent 5071B

Received Antenna: 0.7 ~ 6.0 GHz for Gain Calibration

Double Ridged Horn Antenna

