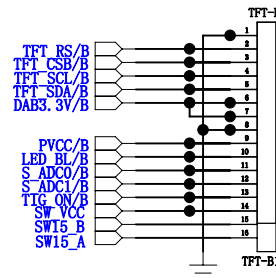
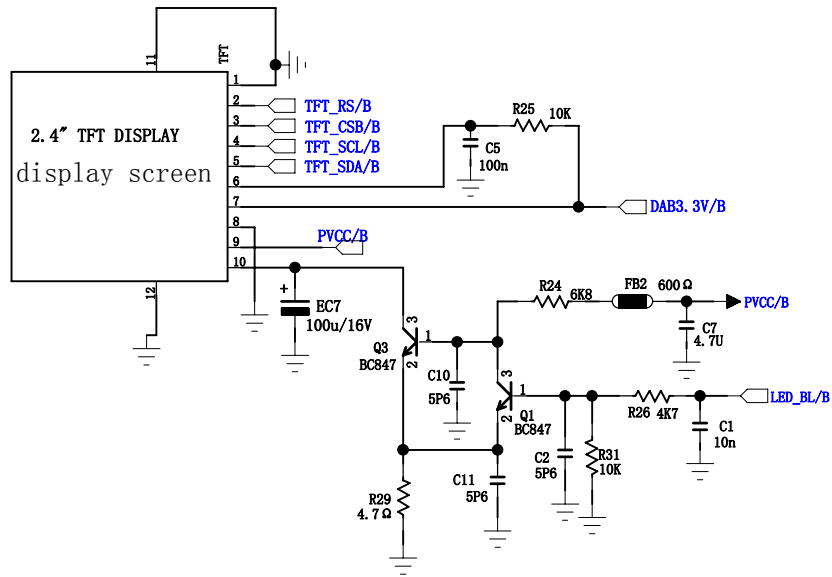
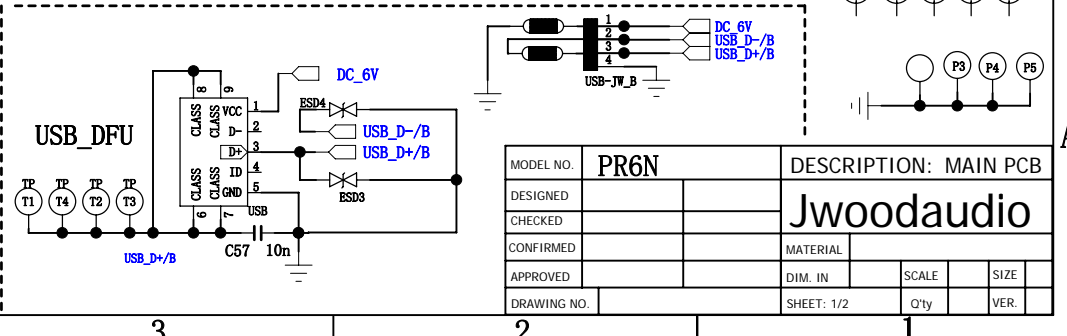
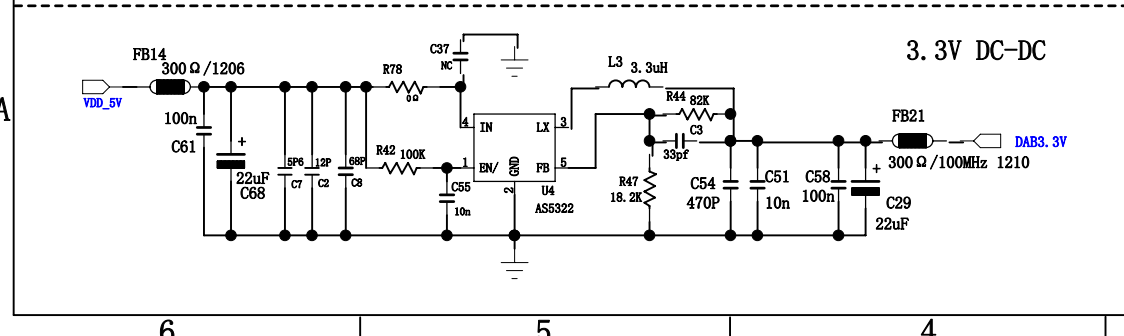
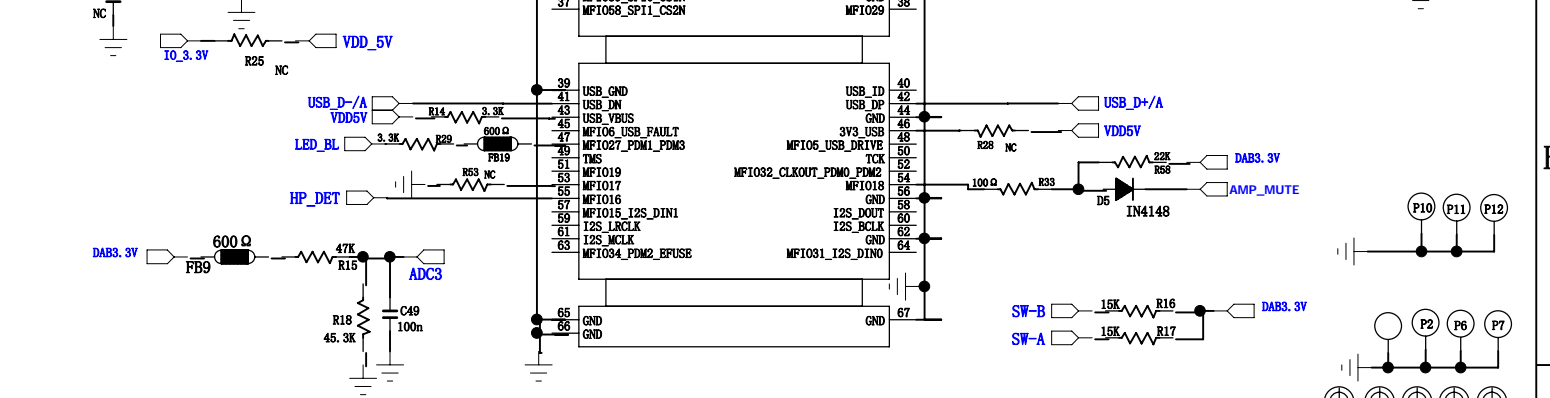
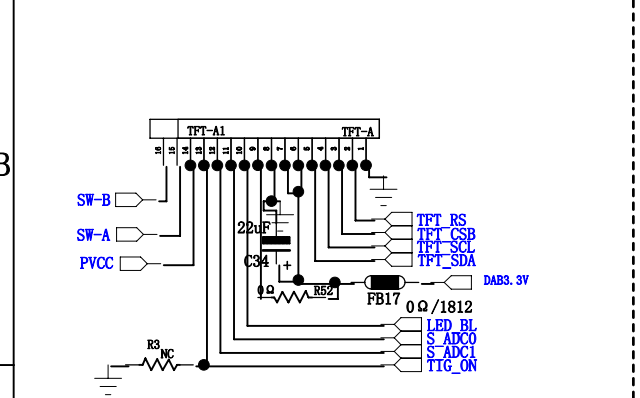
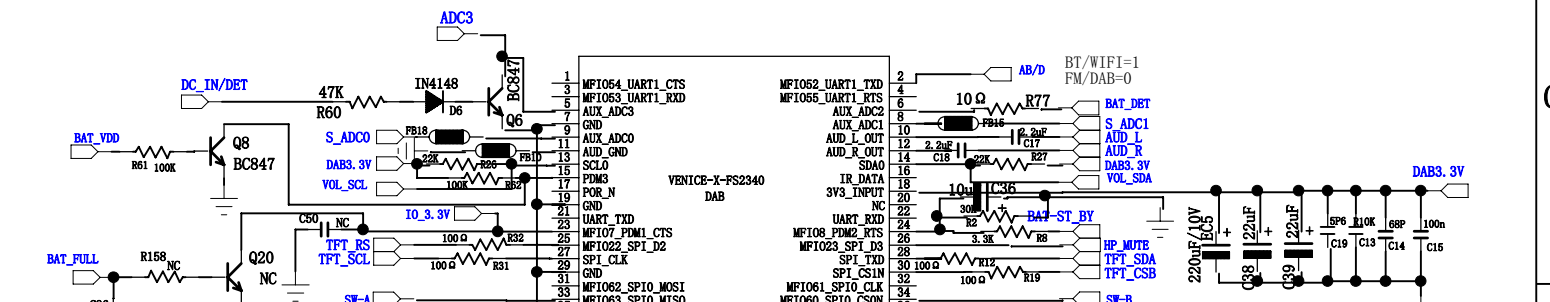
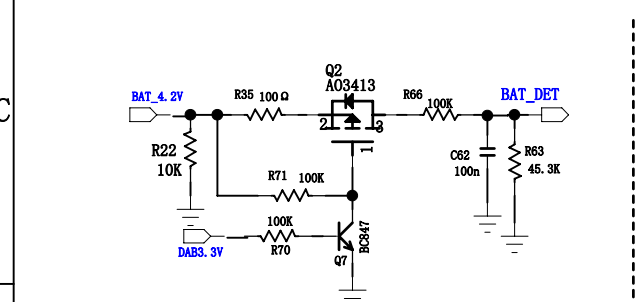
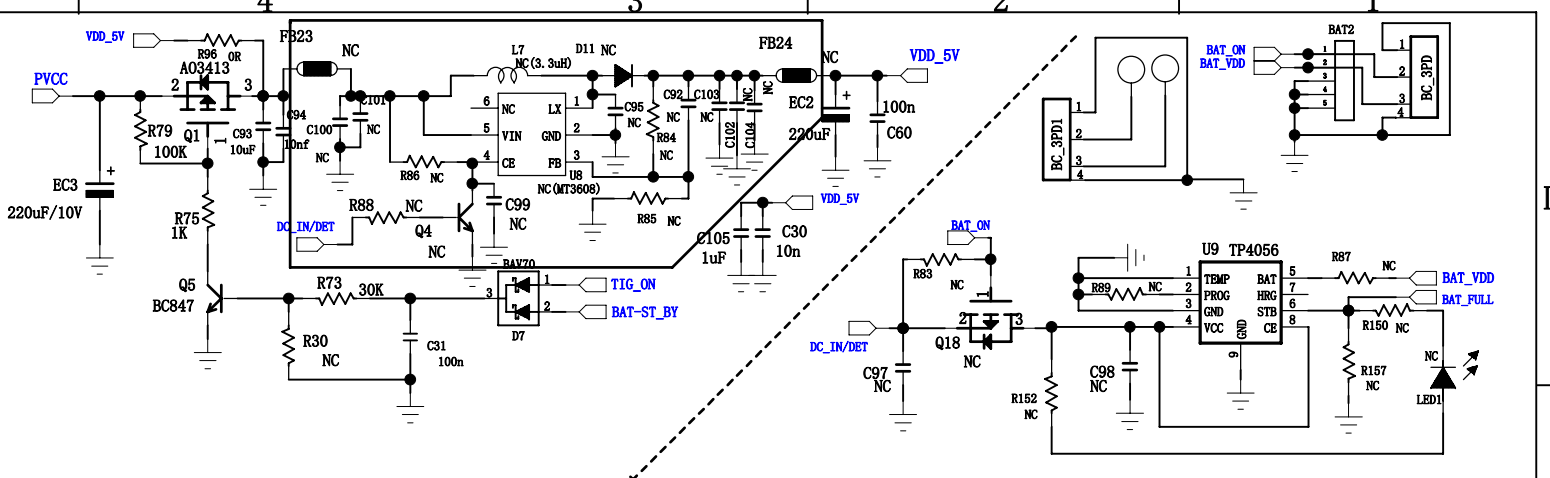
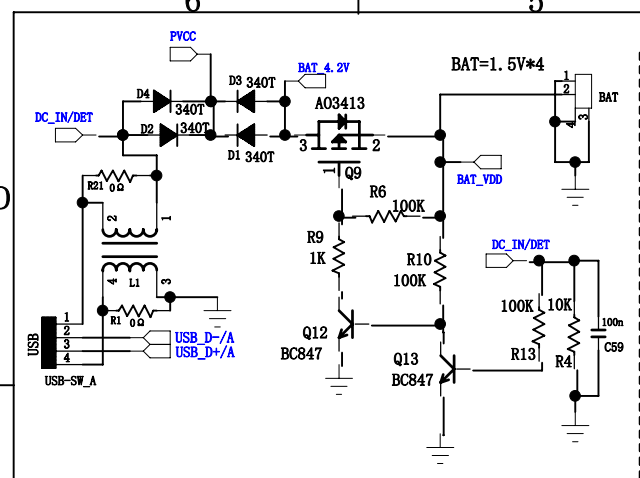


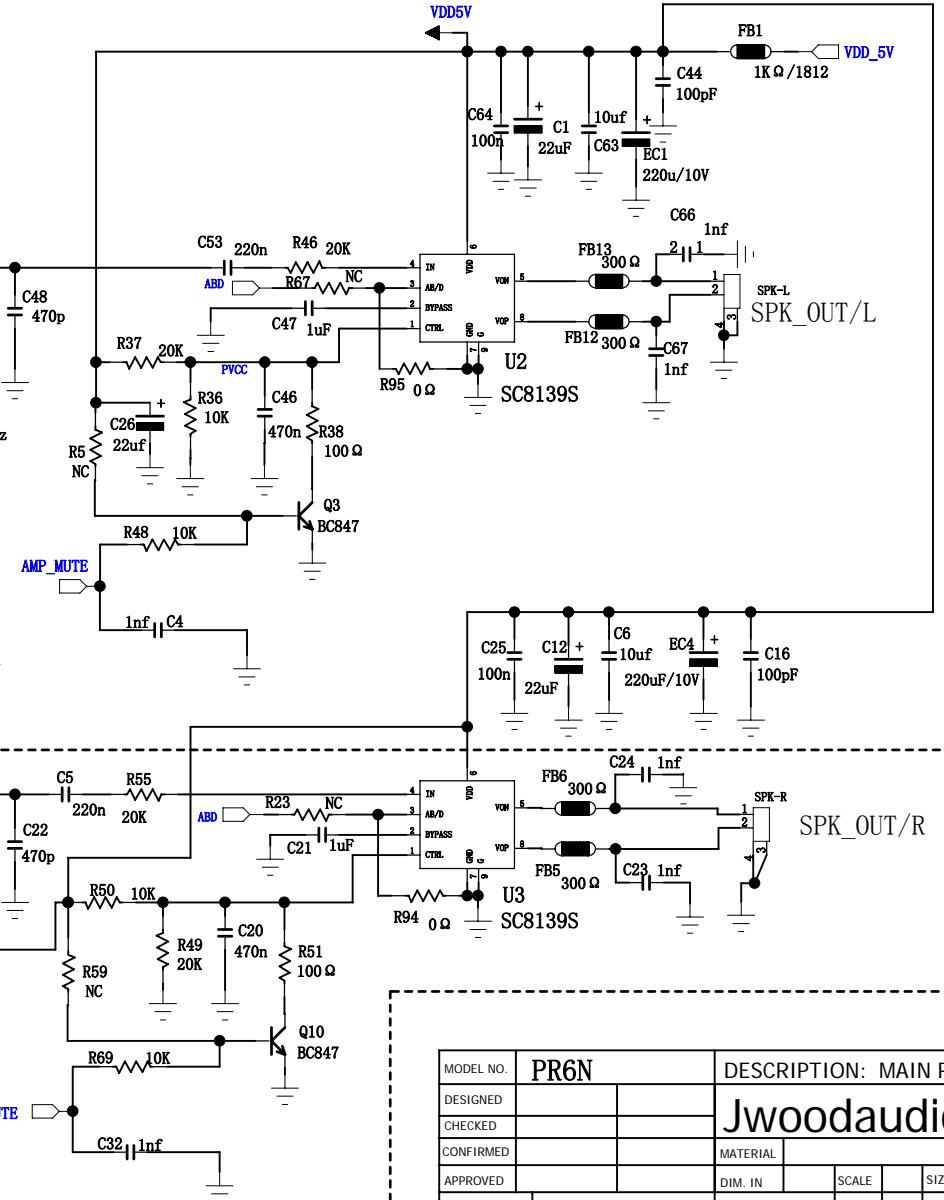
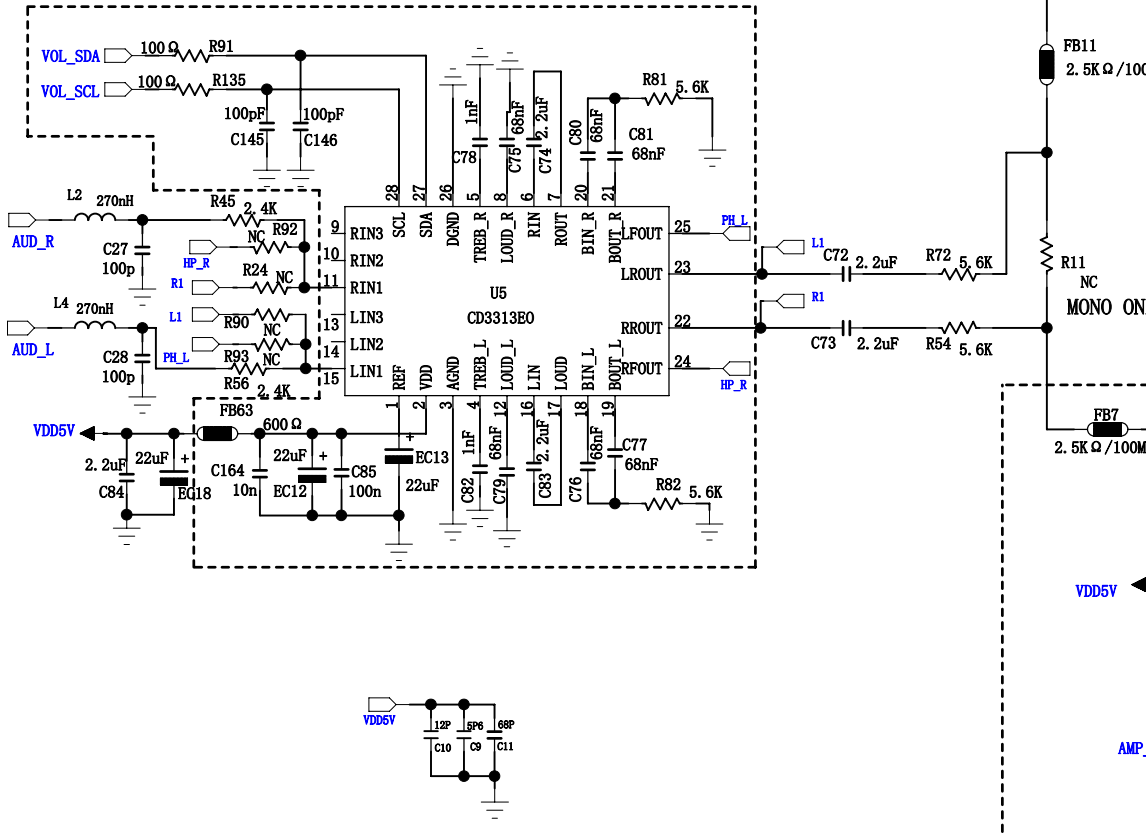
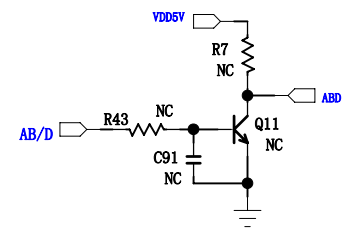
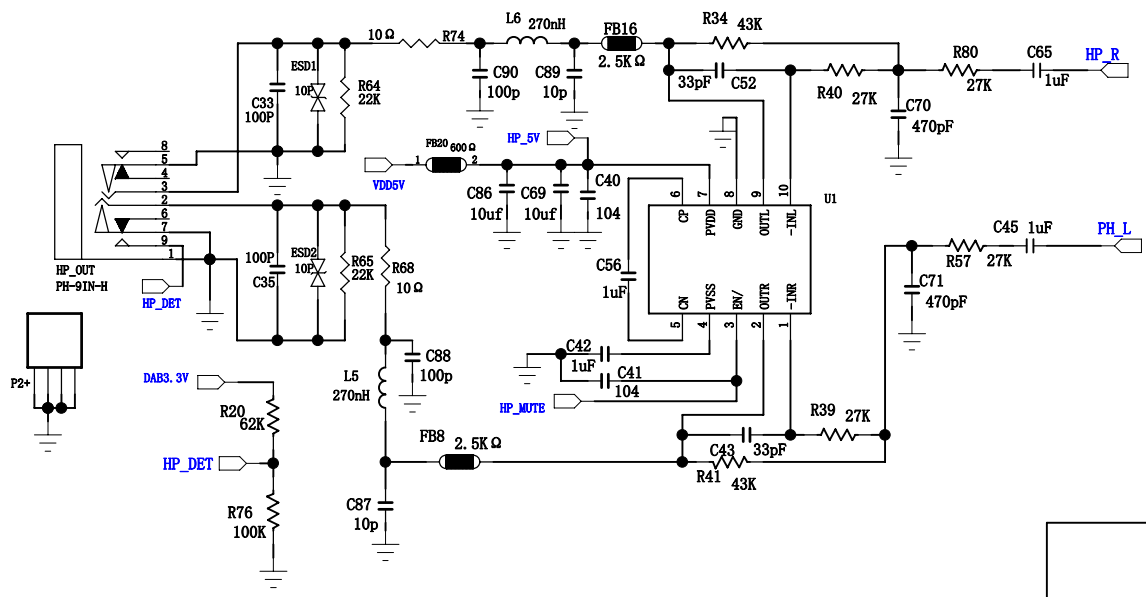
SW15: SELECT /up and down  
 SW: confirm



MODEL NO.	PR6N	DESCRIPTION: DISPLAY			
DESIGNED		Jwoodaudio			
CHECKED					
CONFIRMED		MATERIAL			
APPROVED		DIM. IN	SCALE	SIZE	A4
DRAWING NO.		SHEET: 1/1	Qty	VER.	1.0

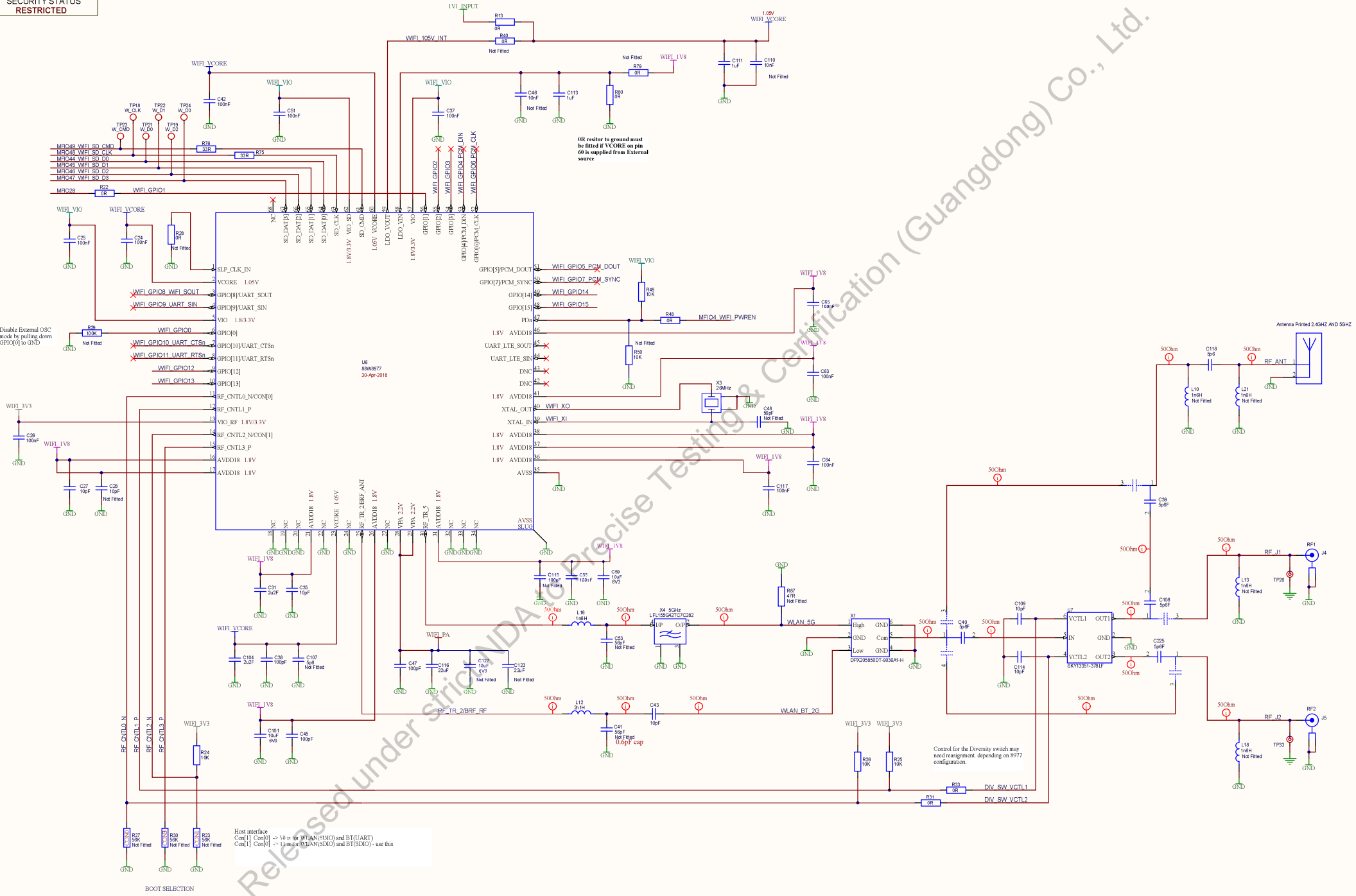


MODEL NO.	PR6N	DESCRIPTION:	MAIN PCB		
DESIGNED		<h1>Jwoodaudio</h1>			
CHECKED					
CONFIRMED					
APPROVED					
DRAWING NO.					
		MATERIAL			
		DIM. IN	SCALE	SIZE	
		SHEET: 1/2	Q'ty	VER.	



MODEL NO.	PR6N	DESCRIPTION:	MAIN PCB		
DESIGNED		<b>Jwoodaudio</b>			
CHECKED					
CONFIRMED					
APPROVED					
DRAWING NO.		MATERIAL			
		DIM. IN	SCALE	SIZE	
		SHEET: 2/2	Q'ty	VER.	

SECURITY STATUS  
RESTRICTED



THE INFORMATION CONTAINED WITHIN THIS DRAWING IS CONFIDENTIAL AND THE EXCLUSIVE INTELLECTUAL PROPERTY OF FRONTIER SILICON LIMITED. MAY BE USED ONLY FOR THE PURPOSE FOR WHICH IT IS SUPPLIED, AND SHOULD NOT BE REPRODUCED STORED OR DISSEMINATED TO THIRD PARTIES IN ANY MEANS IN WHOLE OR IN PART WITHOUT THE EXPRESS WRITTEN PERMISSION OF FRONTIER SILICON LIMITED.

Title	Venice X Module 88W8977 WiFi and Bluetooth		
Number	FS0356	Revision	3
Drawn	PDP	Date	24-Oct-2018
		Sheet	3 of 4



Dales Manor Business Park  
Babraham Road, Savston,  
Cambridge, CB22 3JX, UK  
TEL: +44 (0)1223 837656  
FAX: +44 (0) 1223 836761  
www.frontier-silicon.com