



FCC RADIATION EXPOSURE STATEMENT:

This equipment complies with FCC radiation exposure limits set forth for an uncontrolled environment. This equipment should be installed and operated with a minimum distance of 42.5 cm between the radiator and your body. This transmitter must not be co-located or operating in conjunction with any other antenna or transmitter.

FCC WARNING:

Any changes or modifications not expressly approved by the party responsible for compliance could void the user's authority to operate this equipment. This device complies with part 15 of the FCC Rules. Operation is subject to the following two conditions: (1) This device may not cause harmful interference, and (2) This device must accept any interference received, including interference that may cause undesired operation. This equipment has been tested and found to comply with the limits for a Class B digital device, pursuant to Part 15 of the FCC Rules. These limits are designed to provide reasonable protection against harmful interference in a residential installation. This equipment generates, uses, and can radiate radio frequency energy and, if not installed and used in accordance with the instructions, may cause harmful interference to radio communications. However, there is no guarantee that interference will not occur in a particular installation. If this equipment does cause harmful interference to radio or television reception, which can be determined by turning the equipment off and on, the user is encouraged to try to correct the interference by one or more of the following measures:

- Reorient or relocate the receiving antenna.
 - Increase the separation between the equipment and receiver.
 - Connect the equipment into an outlet on a circuit different from that to which the receiver is connected.
 - Consult the dealer or an experienced radio/TV technician for help.
- FCC regulations restrict the operation of this device to indoor use only. The operation of this device is prohibited on oil platforms, cars, trains, boats, and aircraft, except that operation of this device is permitted in large aircraft while flying above 10,000 feet. Operation of transmitters in the 5.925-7.125 GHz band is prohibited for control of or communications with unmanned aircraft systems.

Your Wyze product is covered by a one-year limited warranty. You can view the limited warranty terms at <https://wyze.com/return-warranty-policy> or request a copy by contacting Wyze at +1 (206) 339-9646.

NEED HELP?

Contact our Support Team:
<https://wyze.com/support>

Join the Community:
<https://wyze.com/community>

Wyze and Wyze Mesh Router Pro are trademarks of Wyze Labs, Inc



Scan the QR code to learn more

ISED RADIATION EXPOSURE STATEMENT:

This equipment complies with ISED RF radiation exposure limits set forth for an uncontrolled environment. This transmitter must not be co-located or operating in conjunction with any other antenna or transmitter. This equipment should be installed and operated with a minimum distance of 23.5 cm between the radiator and your body. Only use the power supply provided. Any changes or modifications not expressly approved by the party responsible for compliance could void the user's authority to operate the equipment.

ISED RSS WARNING:

This device complies with ISED licence-exempt RSS standard(s). Operation is subject to the following two conditions: (1) This device may not cause interference, and (2) this device must accept any interference, including interference that may cause undesired operation of the device. Operation shall be limited to indoor use only. Operation on oil platforms, cars, trains, boats and aircraft shall be prohibited except for on large aircraft flying above 10,000 ft.

DÉCLARATION D'EXPOSITION AUX RADIATIONS DE L'ISED:

Cet équipement est conforme aux limites d'exposition aux rayonnements RF fixées par l'ISED pour un environnement non contrôlé. Cet émetteur ne doit pas être installé ou utilisé en conjonction avec une autre antenne ou un autre émetteur. Cet équipement doit être installé et utilisé avec une distance minimale de 23.5 cm entre le radiateur et votre corps. Utilisez uniquement l'alimentation électrique fournie.

AVERTISSEMENT RSS DE L'ISED

Cet appareil est conforme à la ou aux normes RSS exemptées de licence de l'ISED. Son fonctionnement est soumis aux deux conditions suivantes : (1) Ce dispositif ne doit pas causer d'interférences, et (2) ce dispositif doit accepter toute interférence, y compris les interférences qui peuvent causer un fonctionnement indésirable du dispositif. Utilisation limitée à l'intérieur seulement. Utilisation interdite à bord de plateformes de forage pétrolier, de voitures, de trains, de bateaux et d'aéronefs, sauf à bord d'un gros aéronef volant à plus de 10 000 pieds d'altitude.

Votre produit Wyze est couvert par une garantie limitée d'un an. Vous pouvez consulter les conditions de la garantie limitée sur <https://wyze.com/return-warranty-policy> ou en demandant une copie en contactant Wyze au +1 (206) 339-9646.

BESOIN D'AIDE?

Contactez notre service d'assistance:
<https://wyze.com/support>

Rejoignez la communauté:
<https://wyze.com/community>

Wyze et Wyze Mesh Router Pro sont des marques déposées de Wyze Labs, Inc



Scannez le code QR pour en savoir plus

SETUP

- 1 Download the Wyze app and sign in or create an account.



Apple logo and App Store are trademarks of Apple Inc., registered in the U.S. and other countries and regions. * Google Play and the Google Play logo are trademarks of Google LLC.

- 2 Open the Wyze app and tap the + plus sign on the top left corner of the Home screen. Tap **Add Device** > **Home** > **Wyze Mesh Router Pro**.

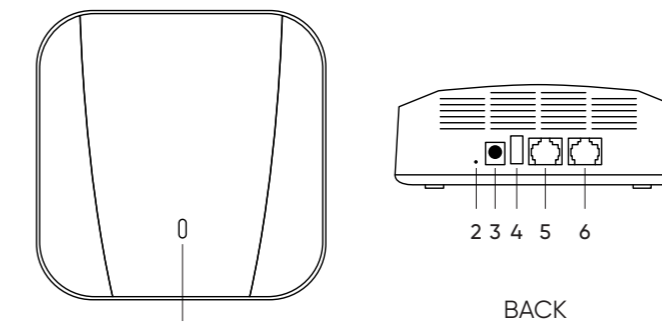
- 3 Follow the in-app instructions to finish setup.

IN THE BOX

- Wyze Mesh Router Pro × 1
- 3' Ethernet Cable × 1
- Power Adapter × 1
- Quick Start Guide × 1

STATUS LIGHT GUIDE

- Solid green light**
Power is on and functioning correctly
- Flashing green light**
In pairing mode
- Flashing blue light**
Connecting to Bluetooth
- Solid orange light**
Internet connection lost
- Flashing orange light**
Router is performing a booting sequence



1 Status Light

2 Reset Button

3 Power Port

4 USB Port

5 2.5Gbps Ethernet Port

6 1Gbps Ethernet Port

CONFIGURATION

- 1 Téléchargez l'application Wyze et connectez-vous ou créez un compte.



Le logo d'Apple et d'App Store sont des marques d'Apple Inc. déposées aux États-Unis et dans d'autres pays et régions. * Google et Google Play sont des marques de Google LLC.

- 2 Ouvrez l'application Wyze et appuyez sur le signe + plus dans le coin supérieur gauche de l'écran d'accueil. Appuyez sur **Add Device** > **Home** > **Wyze Mesh Router Pro**.

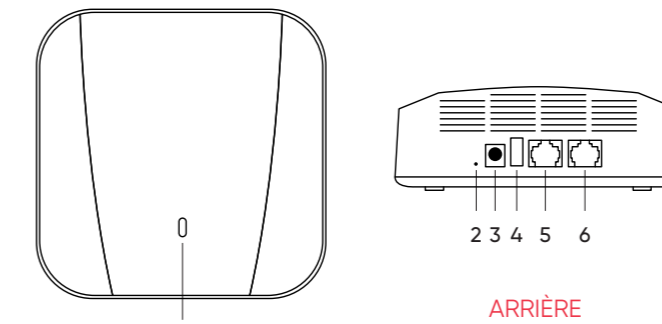
- 3 Suivez les instructions de l'application pour terminer la configuration.

DANS LA BOÎTE

- Wyze Mesh Router Pro × 1
- Câble Ethernet 3' × 1
- Adaptateur secteur × 1
- Guide de démarrage rapide × 1

GUIDE DES VOYANTS D'ÉTAT

- Lumière verte fixe**
L'alimentation est sous tension et fonctionne correctement
- Lumière verte clignotante**
En mode d'appairage
- Lumière bleue clignotante**
Connexion à Bluetooth
- Lumière orange solide**
Connexion Internet perdue
- Lumière orange clignotante**
Le routeur effectue une séquence d'amorçage



1 Voyant d'état

2 Bouton de réinitialisation

3 Port d'alimentation

4 Port USB

5 Port Ethernet 2.5Gbps

6 Port Ethernet 1Gbps

(材質):128g銅版紙

(顏色):CMYK

(上光方式):水性耐磨油

(成型方式):對折

(尺寸):200*141mm

(公差):+/-1mm



LIMITS UNLESS OTHERWISE NOTED

X. +-	X.° +-
.X +-	.X° +-
.XX +-	.XX° +-
.XXX +-	.XXX° +-

A4	UNIT	SCALE	SHEET	MODEL No.	for WZ-Mesh6E 1pack		
	MM	NON	1(1)	PART NAME	QSG		
APPROVED	CHECKED	DESIGNED	PART No.	515002057547	REV	A4	
		QingQingLong 龙青青 2022-09-29	光寶科技股份有限公司 LITE-ON TECHNOLOGY CORP.				