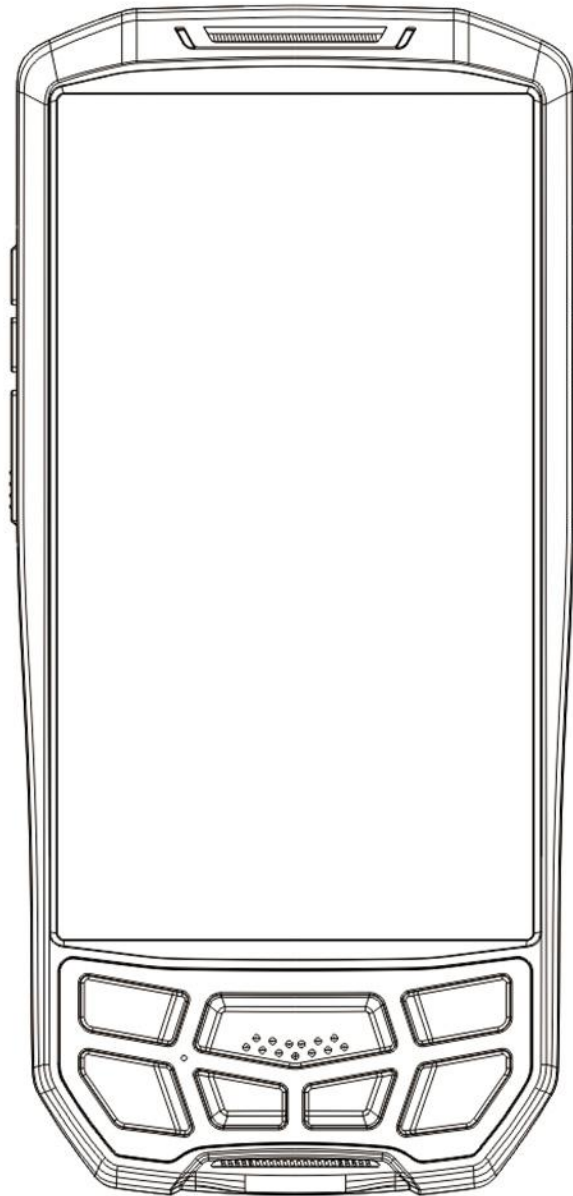
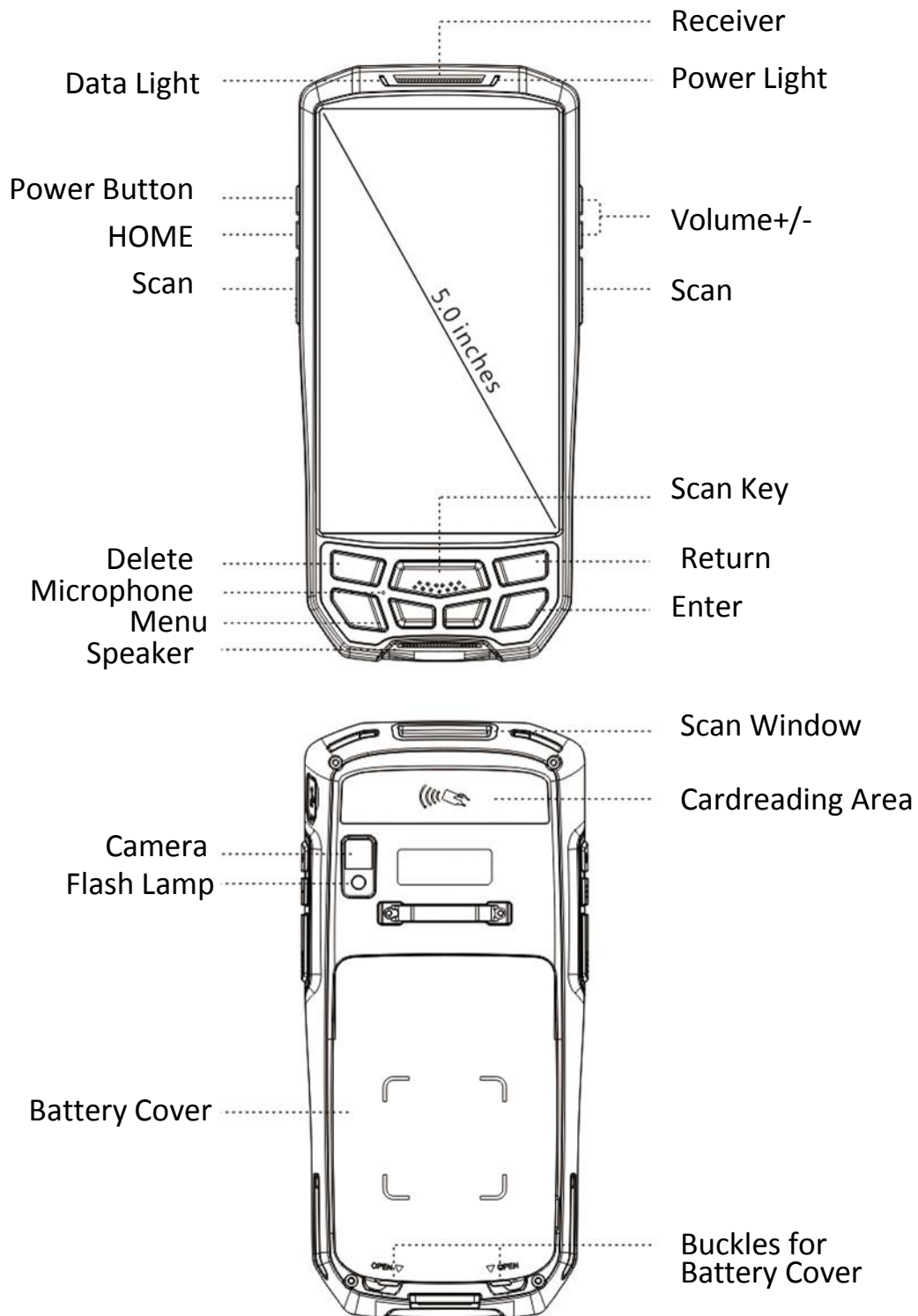


Handheld Terminal (PDA)



Quick Guide

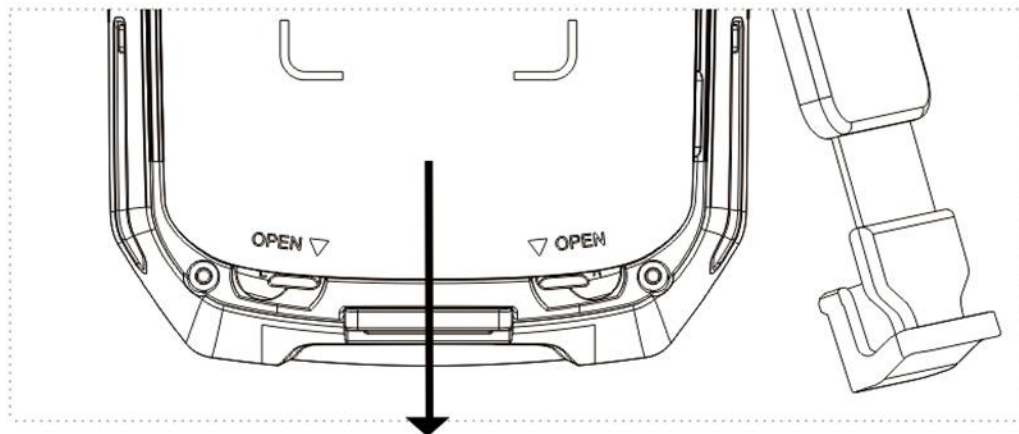
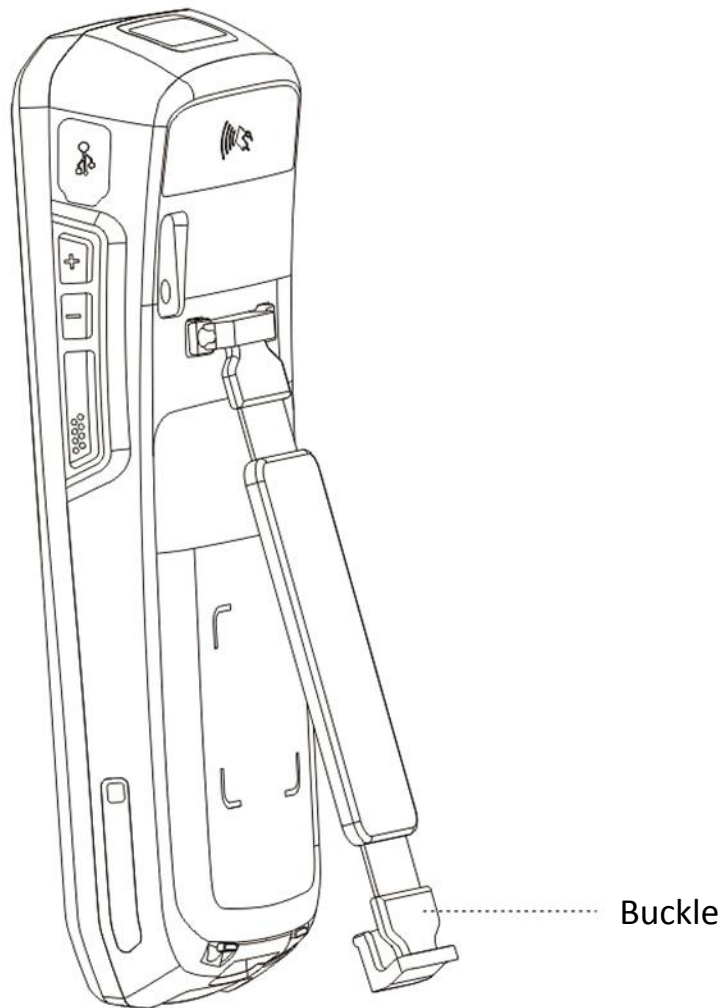
Overview



Hot button / Custom button:

- 1.Screen capture : "power" + "Volume -"
- 2.Custom button : Setting → Feature → Custom Key
- 3.Hide virtual keyboard : Setting → Language & input → Physical keyboard → Display virtual keyboard(shut)

STRAP INSTALLATION

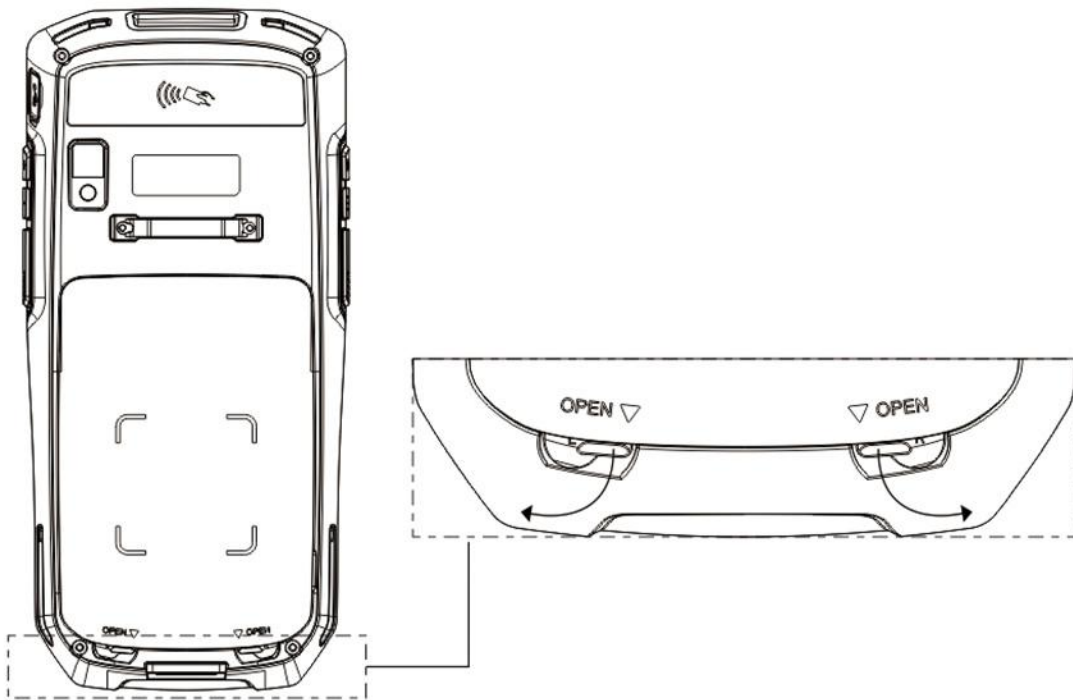


(As Pic 1)

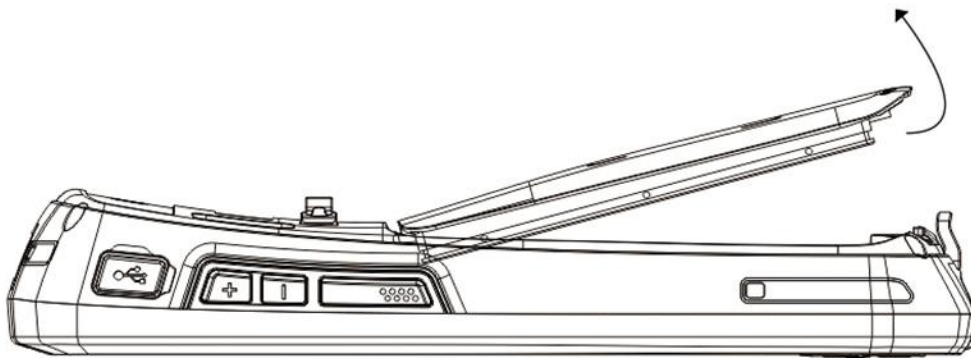
According to the direction of the arrow in Figure 1, the hand strap buckle is pulled down to open the buckle.

Open the battery cover

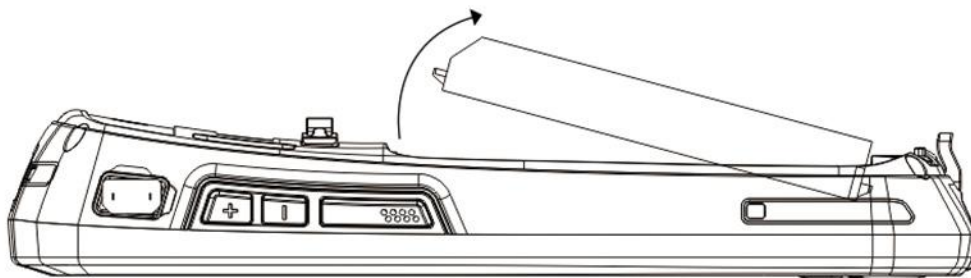
1. Please move the buckles down to the vertical direction.



2. Take out of the battery cover.



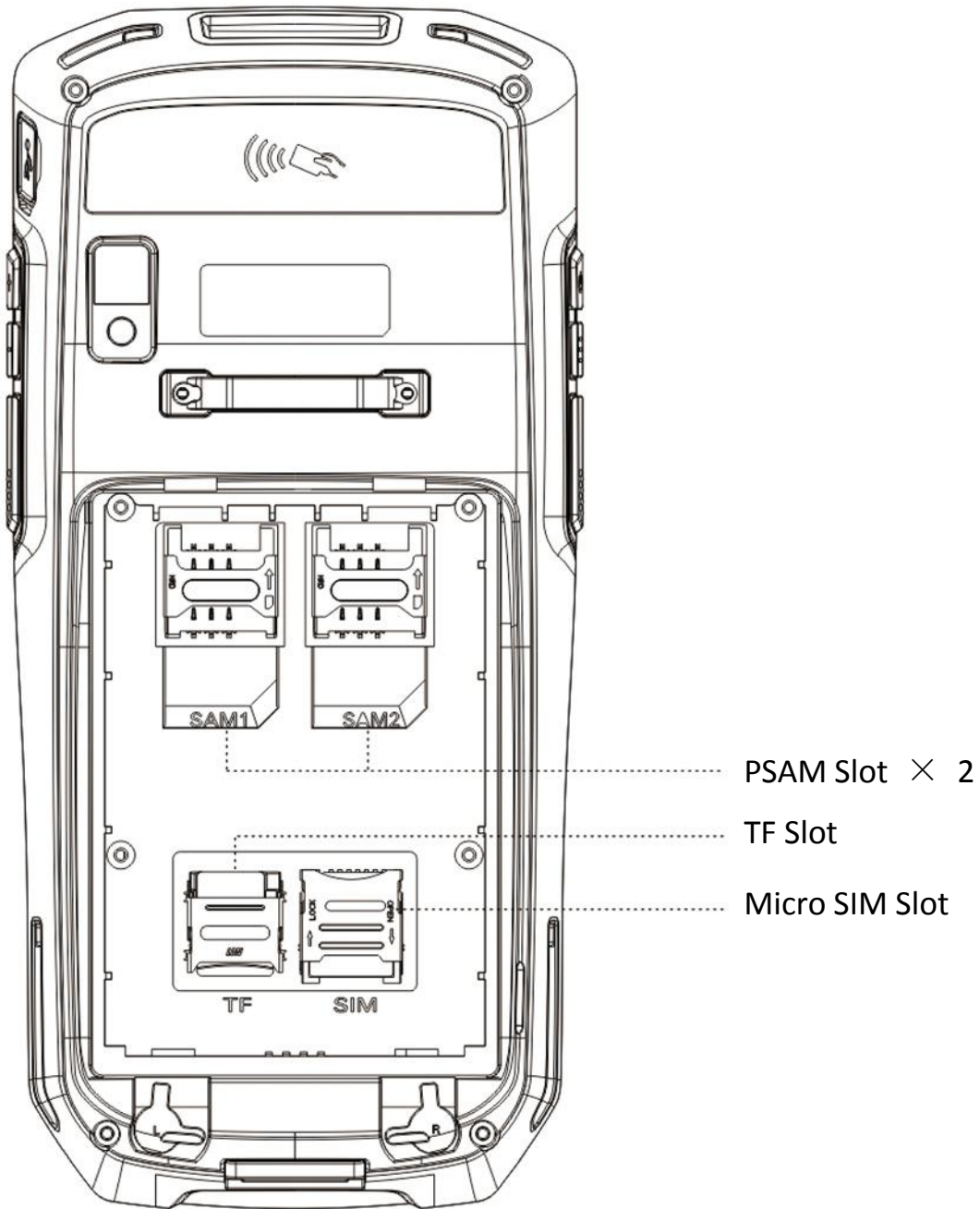
3. Follow the picture to install the battery.



* Please remove the positive and negative insulation yellow sticker on the battery before turning on the device.

Install TF/SIM card

1. **Please** insert the SIM card into the corresponding slots as shown in the figure below.

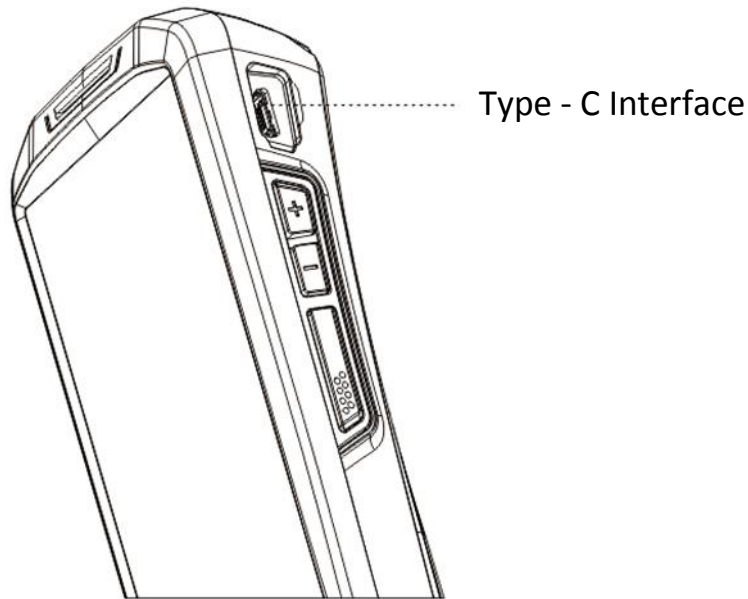


(Warm Tips: The handheld terminal only supports Micro SIM Card, standard SIM card slot is for PSAM Card)

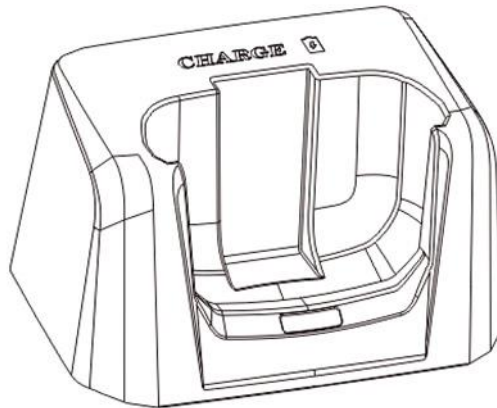
Equipment charging

DEVICE CHARGING:

1. Use usb cable to charge. Pull out the right USB plug, insert USB cable.



2. Use cradle to charge. (Cradle should be purchased separately)



1. The battery can be fully charged after 4 hours of charging, and the standby time is over 48 hours.
2. The Cradle can charge 1 battery and 1 device together in the meantime.
3. The left indicator light is the battery charging indicator, when the battery is charging, it turns red. Once fully charged, it turns green.
4. The right indicator light is the power-on indicator. It's green when power is on, and indicator is off when power is off.

* To prevent the battery from being over-consumed, please charge the device when the battery power is less than 20%. If the battery has been in a over-consumed status, please charge the device for 20-30 minutes. Then it will display a normal charging status.

* Sold without adapters.

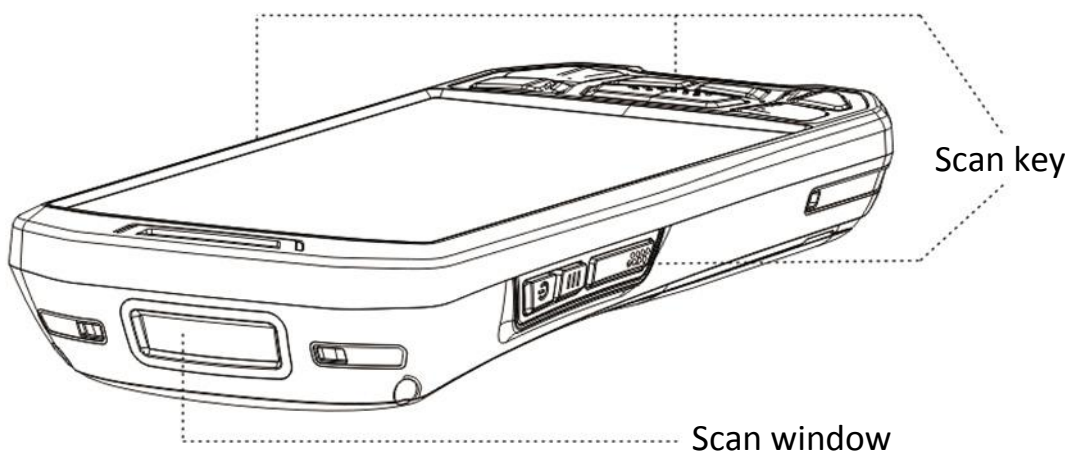
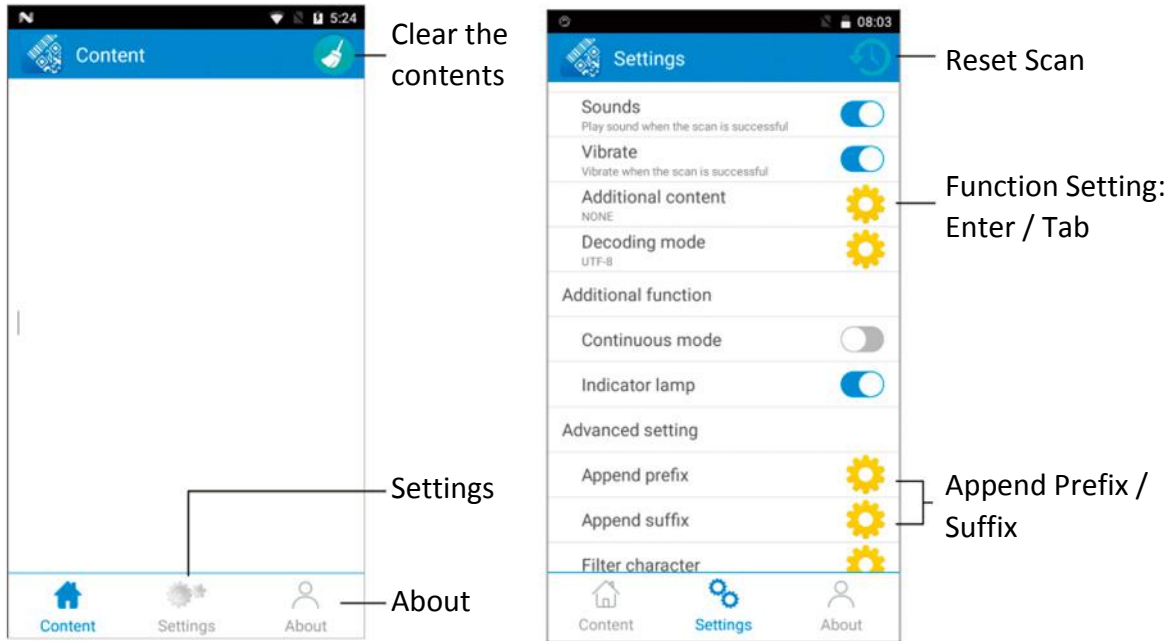
Scan (optional)

If your PDA with scan function, pls operate as below:

1. **Please** find the “scanner” app, and open it.(As Pic 1)
2. In the interface of scan, press scan button to scan the barcode.



(As Pic 1)



(* If you wanna drop the check digit, please contact seller for quick answer.)

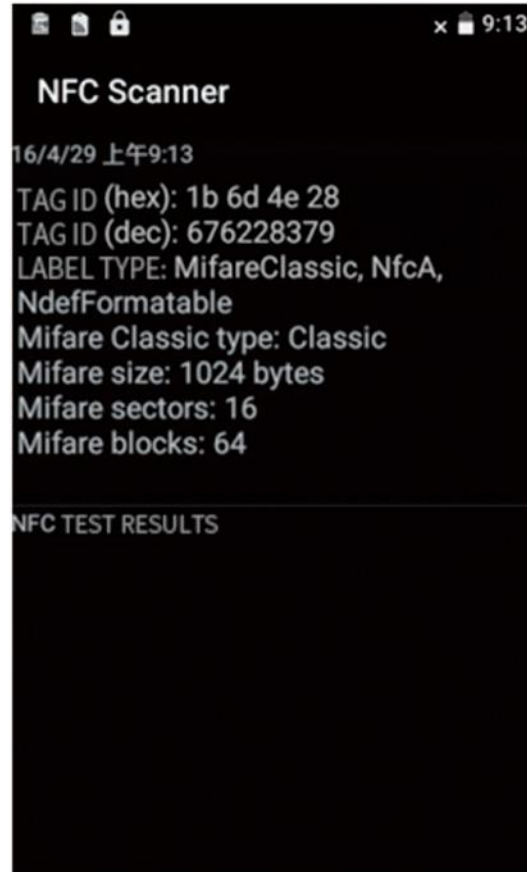
NFC (optional)

If YOUR PDA WITH NFC FUNCTION, PLEASE OPERATE AS BELOW:

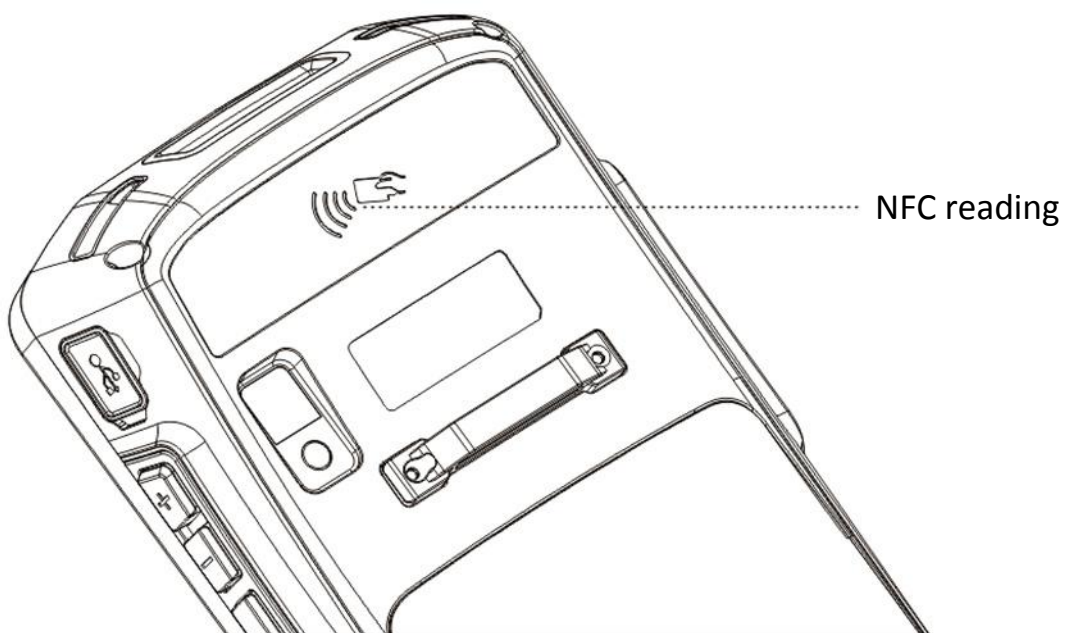
1. Please find the “NFC” app, and open it.(As Pic 1)
2. In the interface of NFC, please read the card by NFC reading area.



(As Pic 1)



(As Pic2)



(Warm Tips: NFC function is optional function, please make sure your PDA with NFC function before using it.)

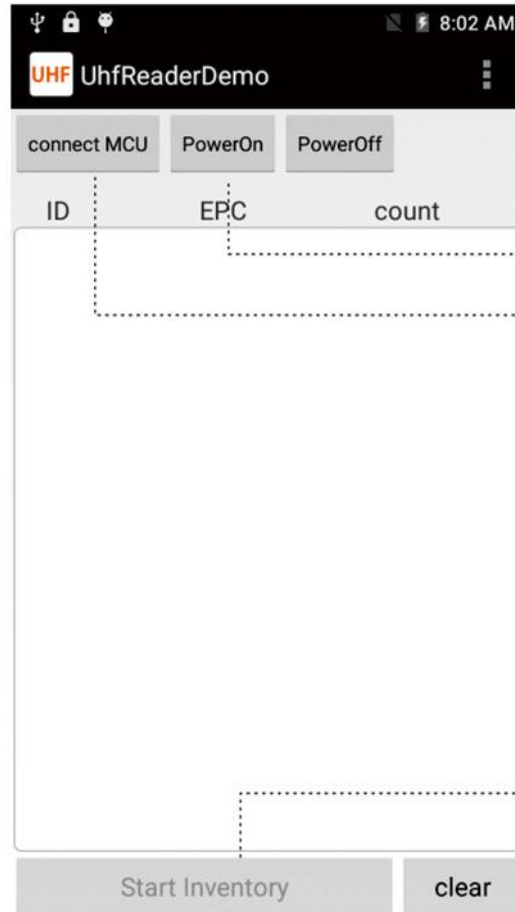
UHF (optional)

If you PDA with UHF RFID function, pls operate it as below:

1. Please find the “UHF” app, and open it.(As Pic 1)
2. In the Interface of UHF, please read the card by UHF reading area.



(As Pic 1)

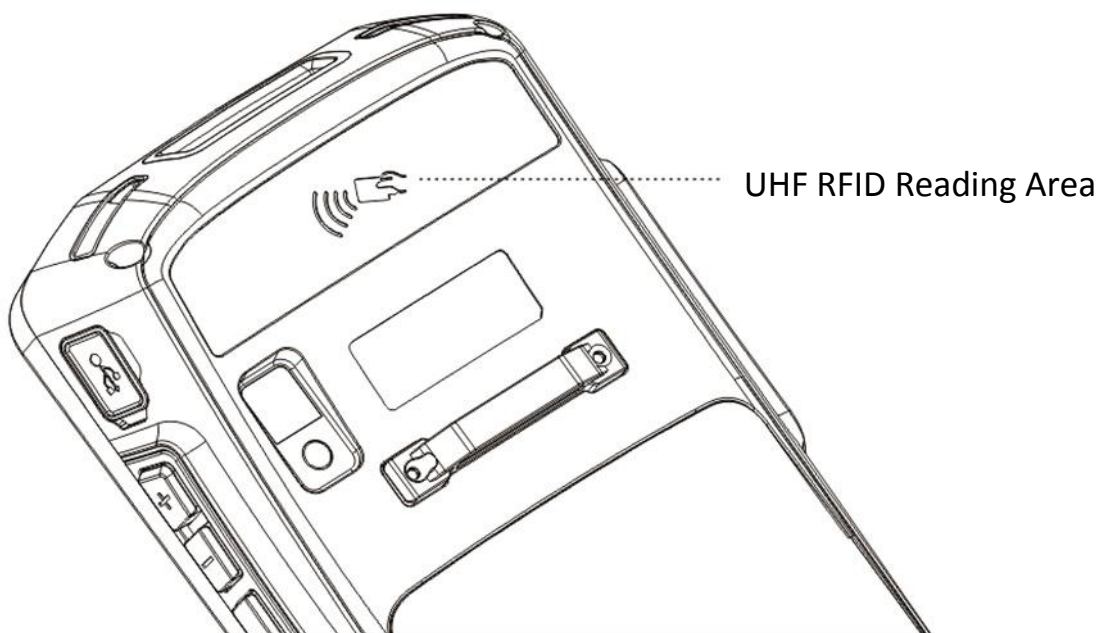


Step2:Power On

Step1:Connect MCU

Step3:Start Inverntory

(As Pic 2)



(Warm Tips: UHF RFID function is optional function. Please make sure your PDA with UHF RFID function before using it.)

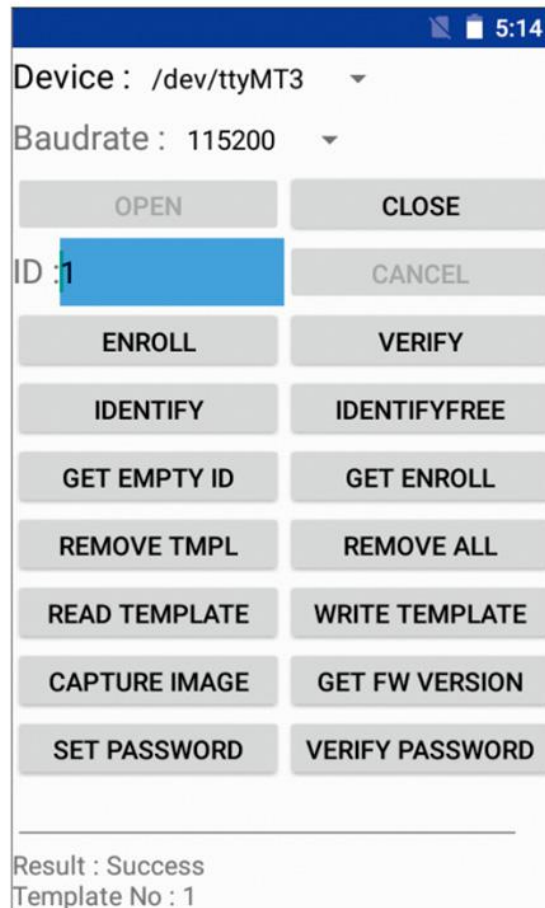
FINGERPRINT(optional)

If YOU PDA WITH THE FUNTION OF FINGERPRINT IDENTIFICATION, PLEASE REFER THE FOLLOWING STEPS:

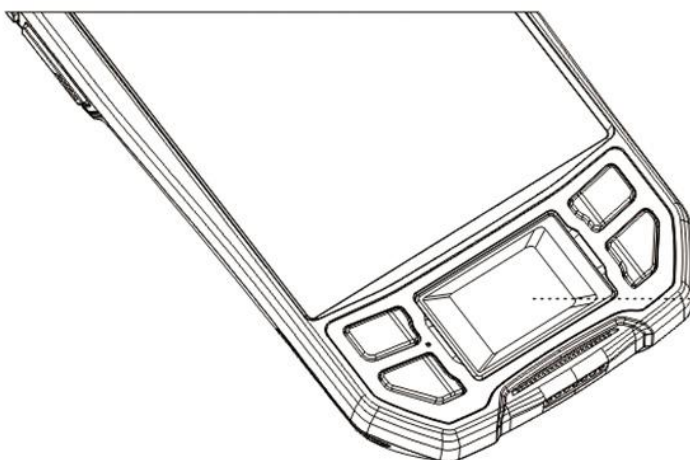
- 1.Please open the App of finger-print.(As Pic 1)
- 2.Go ahead with fingerprint recognition and collection in the interface (As pic 2).



(As Pic 1)



(As Pic2)



Fingerprint Identification Area

(Warm Tips: Fingerprint identification function is optional function.Please make sure your PDA with fingerprint identification function before using it.)

PRINT(optional)

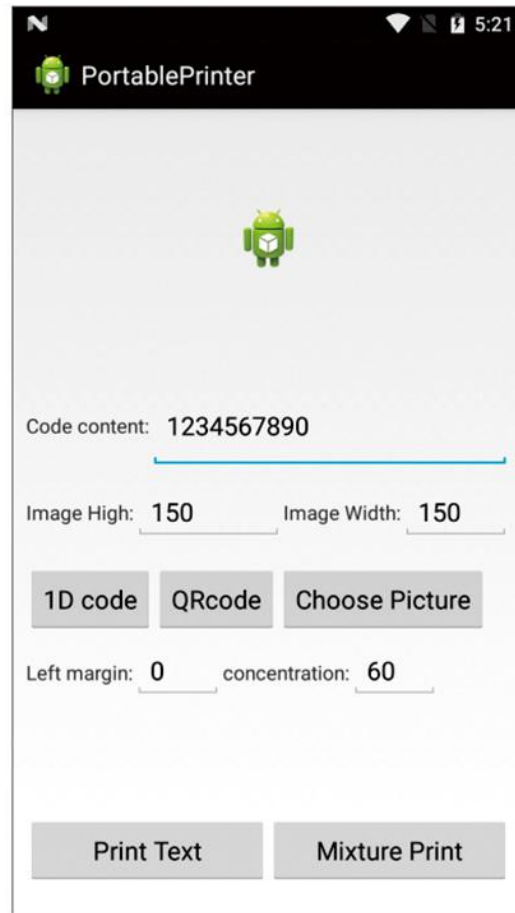
IF YOU PDA WITH THE FUNTION OF PRINTER, PLEASE REFER

THE FOLLOEING STEPS:

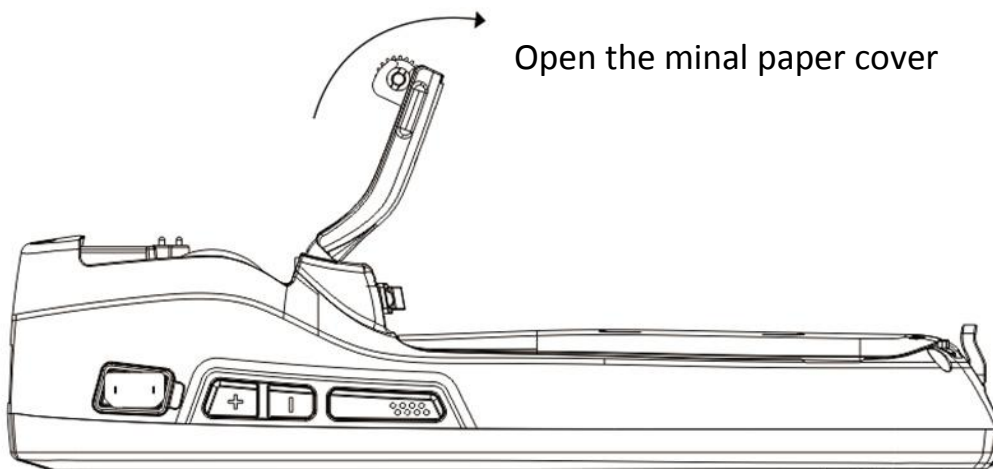
- 1.**Please** open the App of printer.(As Pic 1)
- 2.**Please** test printer function in the interface of printer(As pic 2).



(As Pic 1)



(As Pic2)

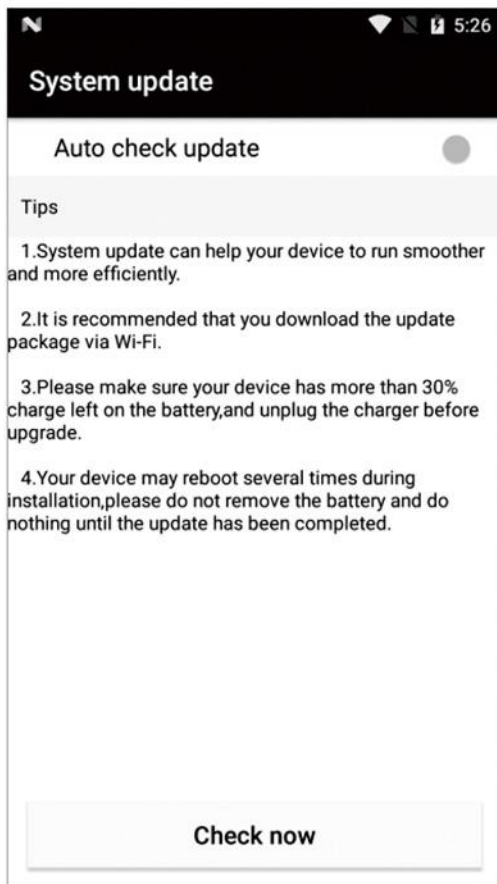


(Warm Tips: Printer function is optional function. Please make sure your PDA with printer function before using it.)

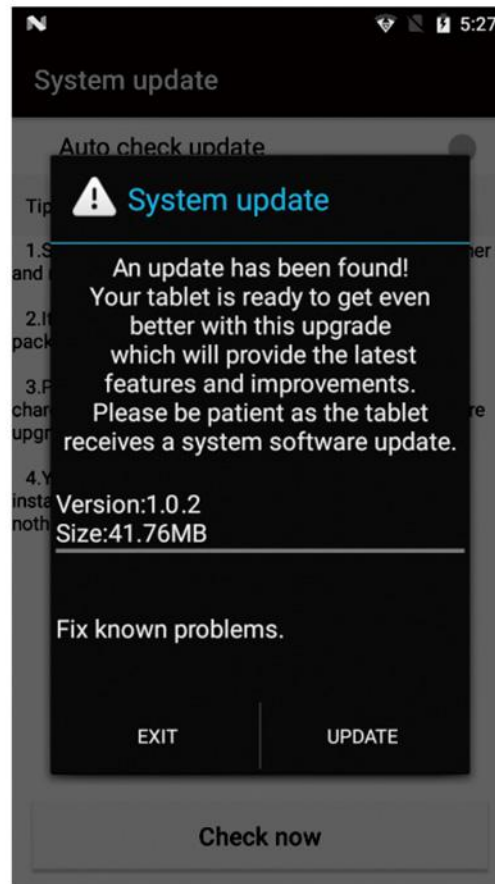
OTA(update online)

Our PDA support OTA (update online) function, you **can update** the latest firmware by OTA, operate it as below:

1. **Please** enter into “Settings” — About phone.
2. Press “System update” and enter into the updating firmware interface.
3. Press “Check now” to update the OS.



(As Pic 1)



(As Pic2)

FQA:

1.How to restore factory settings?

Select “Setting” → “Backup&reset” → “Factory date reset”

2.Why can not open the PDA?

(1)Please make sure the sticker on battery has been removed before turning on the new device.

(2)Press the power button about 4s , keep pressing the power button **until** the screen showing contents .

(3)**Please check if the battery has power**, put the battery to PDA and charge it.**If** the screen shows charging icon,charge the PDA for some time and restart it.

3.PDA can not connect the PC?

If you connect the PDA with your PC ,no prompt messages, change another cable to test;if not work, change another PC.

4.When **using** scanner , there is no data but scan-light on,Why?

(1) Go to scan setting , and check “keyboard output” .

(2) If checked ,then reset the scan demo for twice , and operate “OFF” -- “ON” .

5.The device cannot scan the code.

(1) Check if each scan button can be used normally.

(2) Check if the scan engine supports the bar code.

(3) Check if the scan lens is unobstructed and bar code is clear .

(4) Check the scan setting and reset .

6.The device can not **charge**.

(1) Check if the device adapter and charging port are good.

(2) If the device is not used for a long time, please keep it charged for 30 minutes. Then check the device lights on or not.

(3) Replace the battery of the device that can be turned on normally, **check if there is** problem on battery or device.

7.How to use the battery correctly?

The battery is Li-ion battery.If no power , **please charge it immediately.**

Do not store it for long time in the case of empty or full charge .The

best way is keep 50% power of the battery to store it.**And if you don't**

use the PDA for long time,please pull out the battery from PDA and store it.

FCC Caution:

Any changes or modifications not expressly approved by the party responsible for compliance could void the user's authority to operate this equipment.

This device complies with Part 15 of the FCC Rules. Operation is subject to the following two conditions:

- (1) This device may not cause harmful interference, and
- (2) this device must accept any interference received, including interference that may cause undesired operation.

This Product meets the government's requirements for exposure to radio waves. The guidelines are based on standards that were developed by independent scientific organizations through periodic and thorough evaluation of scientific studies. The standards include a substantial safety margin designed to assure the safety of all persons regardless of age or health.

FCC RF Exposure Information and Statement the SAR limit of USA (FCC) is 1.6 W/kg averaged over one gram of this Device U9000 (FCC ID: 2ATVQ-U9000) has been tested against this SAR limit. SAR information on this can be viewed on-line at <http://www.fcc.gov/oet/ea/fccid/>. Please use the device FCC ID number for search. This device was tested for typical operations 10mm from the body. To maintain compliance with FCC RF exposure requirements, 10mm separation distance should be maintained to the user's bodies.

NOTE:

This equipment has been tested and found to comply with the limits for a Class B digital device, pursuant to Part 15 of the FCC Rules. These limits are designed to provide reasonable protection against harmful interference in a residential installation. This equipment generates, uses and can radiate radiofrequency energy and, if not installed and used in accordance with the instructions, may cause harmful interference to radio communications.

However:

there is no guarantee that interference will not occur in a particular installation.

If this equipment does cause harmful interference to radio or television reception, which can be determined by turning the equipment off and on, the user is encouraged to try to correct the interference by one or more of the following measures:

- Reorient or relocate the receiving antenna.
- Increase the separation between the equipment and receiver.
- Connect the equipment into an outlet on a circuit different from that to which the receiver is connected.
- Consult the dealer or an experienced radio/TV technician for help.

The WLAN function for this device is restricted to indoor use only when operating in the 5150 to 5250 MHz frequency range.

