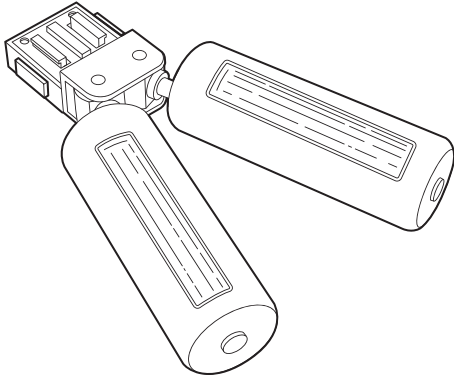


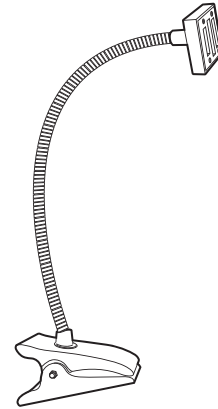
COMPONENTS



Dual Grill Light with Mounting Mechanism



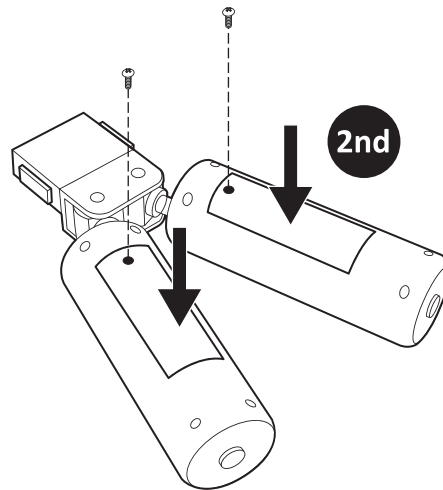
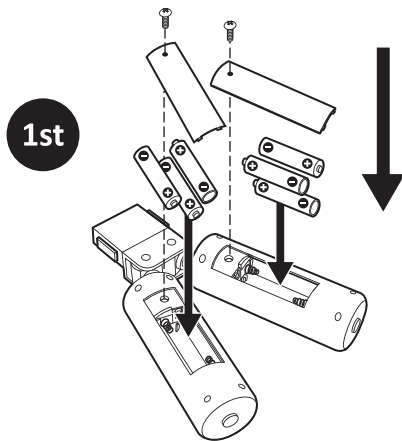
Threaded Mount



Goose-neck Mount

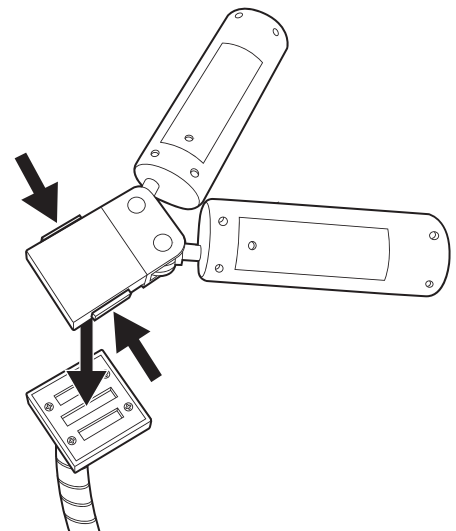
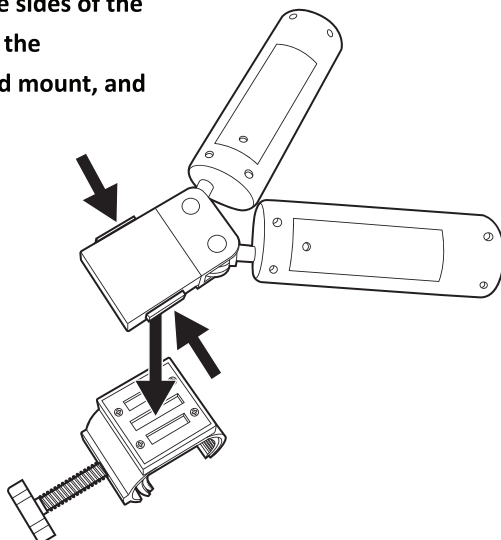
INSTALLING BATTERIES

First, unscrew battery covers using a Philip's head screwdriver and insert 3 AAA batteries into each light. Second, reattach battery covers.



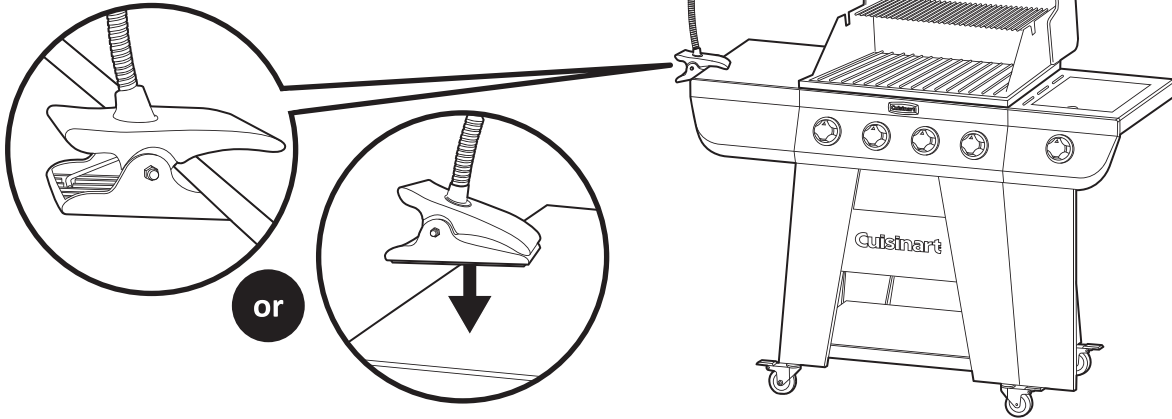
SECURE MOUNTING ATTACHMENTS

Squeeze the buttons on the sides of the grill light, align with either the goose-neck or the threaded mount, and attach.



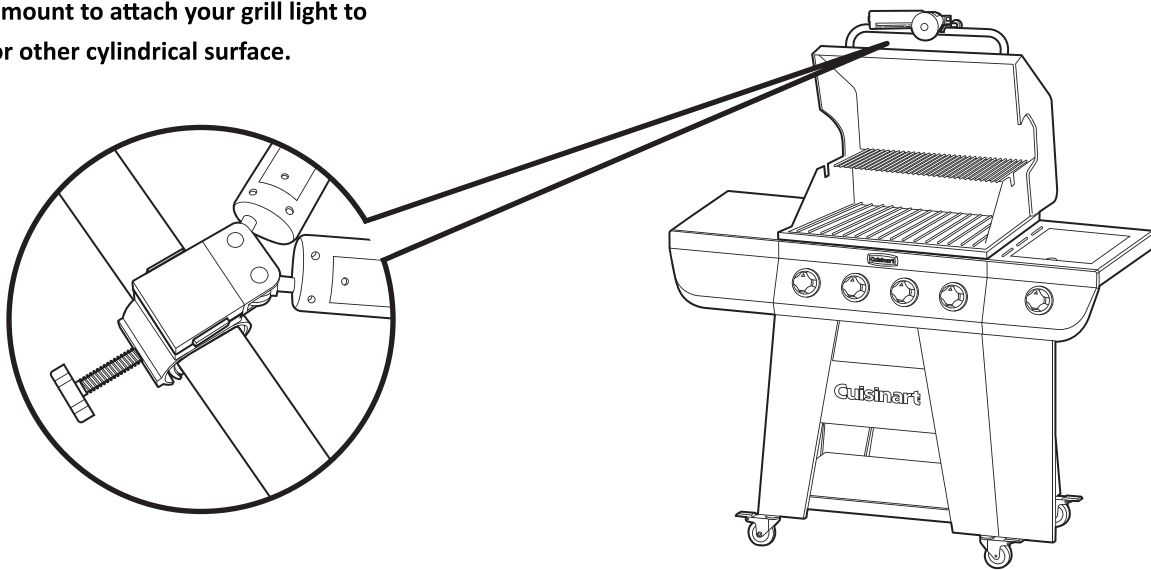
CLIPPING TO THE GRILL (GOOSE-NECK MOUNT)

Use the spring-loaded clamp to attach the grill light to your grill's side table or other surface. Or, use the magnetic base on the bottom of the spring-loaded clip to attach to a non-hot metal surface on your grill.



CLIPPING TO THE GRILL (THREADED MOUNT)

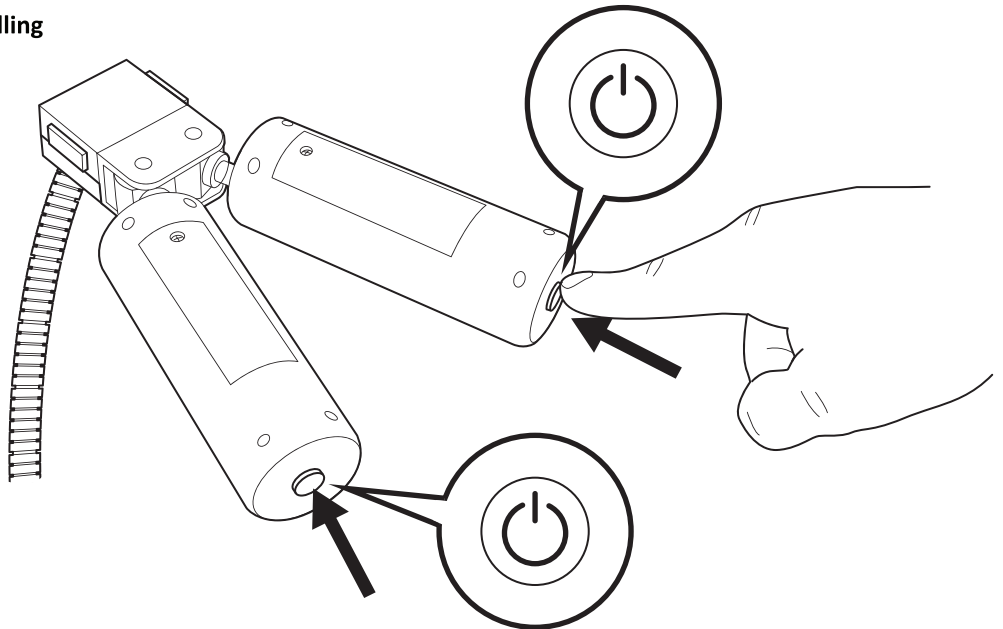
Use the threaded mount to attach your grill light to your grill handle or other cylindrical surface.



USE & CARE

1. Turn the light on with the on/off button
2. Adjust angles and lights to best suit your grilling
3. Wipe clean with a towel
4. Store in dry place

!
IMPORTANT: Do not leave out overnight, especially in inclement weather. This light is only IPX 3 rated.



© 2019 Cuisinart
Cuisinart® is a registered trademark under license to The Fulham Group.
Distributed by The Fulham Group, Newton, MA 02466 U.S.A. MADE IN CHINA

DO NOT RETURN PRODUCT TO THE STORE
Before visiting your local retailer, call our customer service department at 1-866-994-6390 from 9:00 am to 8:00 pm Eastern time, Monday through Friday.

One Year Limited Warranty
This quality product is warranted to be free from defects in material, construction, and workmanship.

Model # CGWM-074
North American Distributor:
The Fulham Group
Newton, MA 02466

15.105

NOTE: This equipment has been tested and found to comply with the limits for a Class B digital device, pursuant to part 15 of the FCC Rules. These limits are designed to provide reasonable protection against harmful interference in a residential installation. This equipment generates, uses and can radiate radio frequency energy and, if not installed and used in accordance with the instructions, may cause harmful interference to radio communications. However, there is no guarantee that interference will not occur in a particular installation. If this equipment does cause harmful interference to radio or television reception, which can be determined by turning the equipment off and on, the user is encouraged to try to correct the interference by one or more of the following measures:

- Reorient or relocate the receiving antenna.
- Increase the separation between the equipment and receiver.
- Connect the equipment into an outlet on a circuit different from that to which the receiver is connected.
- Consult the dealer or an experienced radio/TV technician for help.

15.19

This device complies with part 15 of the FCC Rules. Operation is subject to the following two conditions: (1) This device may not cause harmful interference, and (2) this device must accept any interference received, including interference that may cause undesired operation.

15.21

The users manual or instruction manual for an intentional or unintentional radiator shall caution the user that changes or modifications not expressly approved by the party responsible for compliance could void the user's authority to operate the equipment.