

GRID REF.	REV	REVISION DESCRIPTION	BY	ECO	DATE
XX	XX	XXXXXXXXXX	X.X.X.	ECO-XXXXXX	DD/MMM/YYYY

ID No. FORMAT

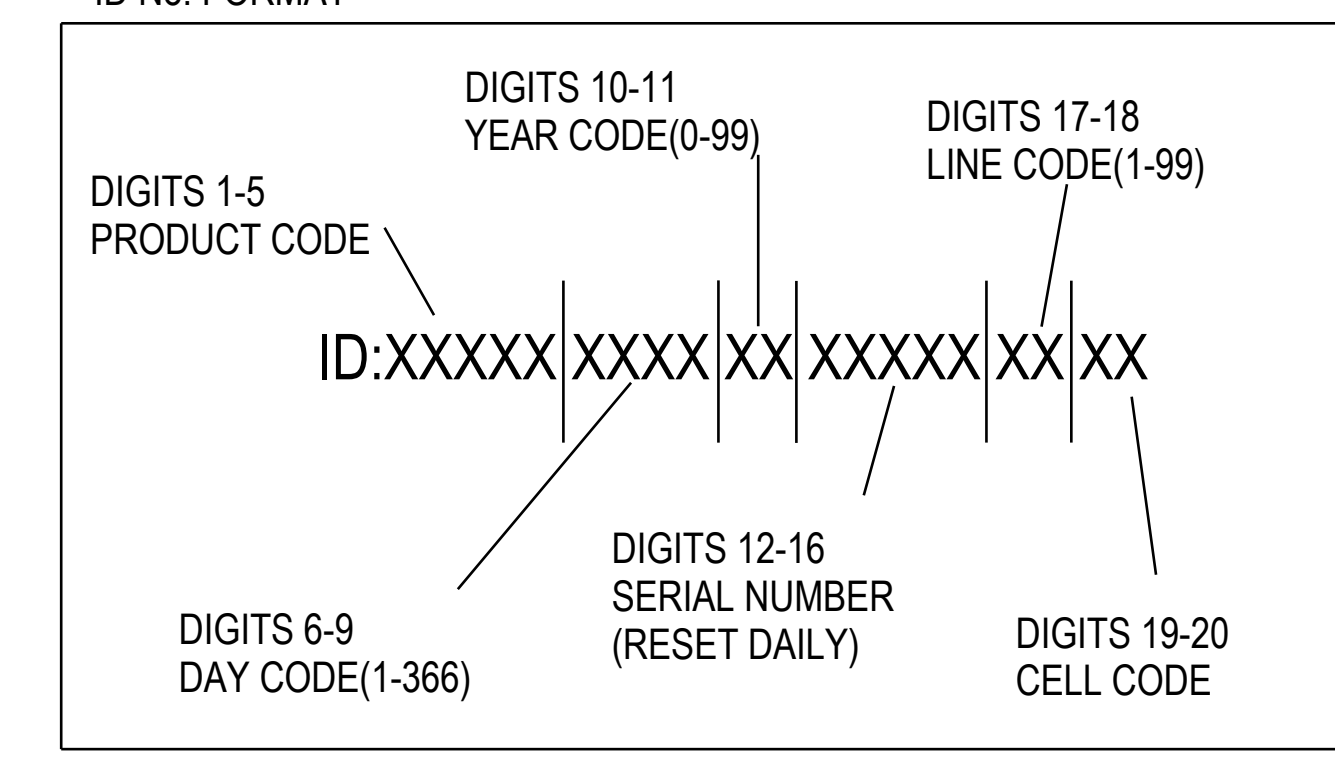
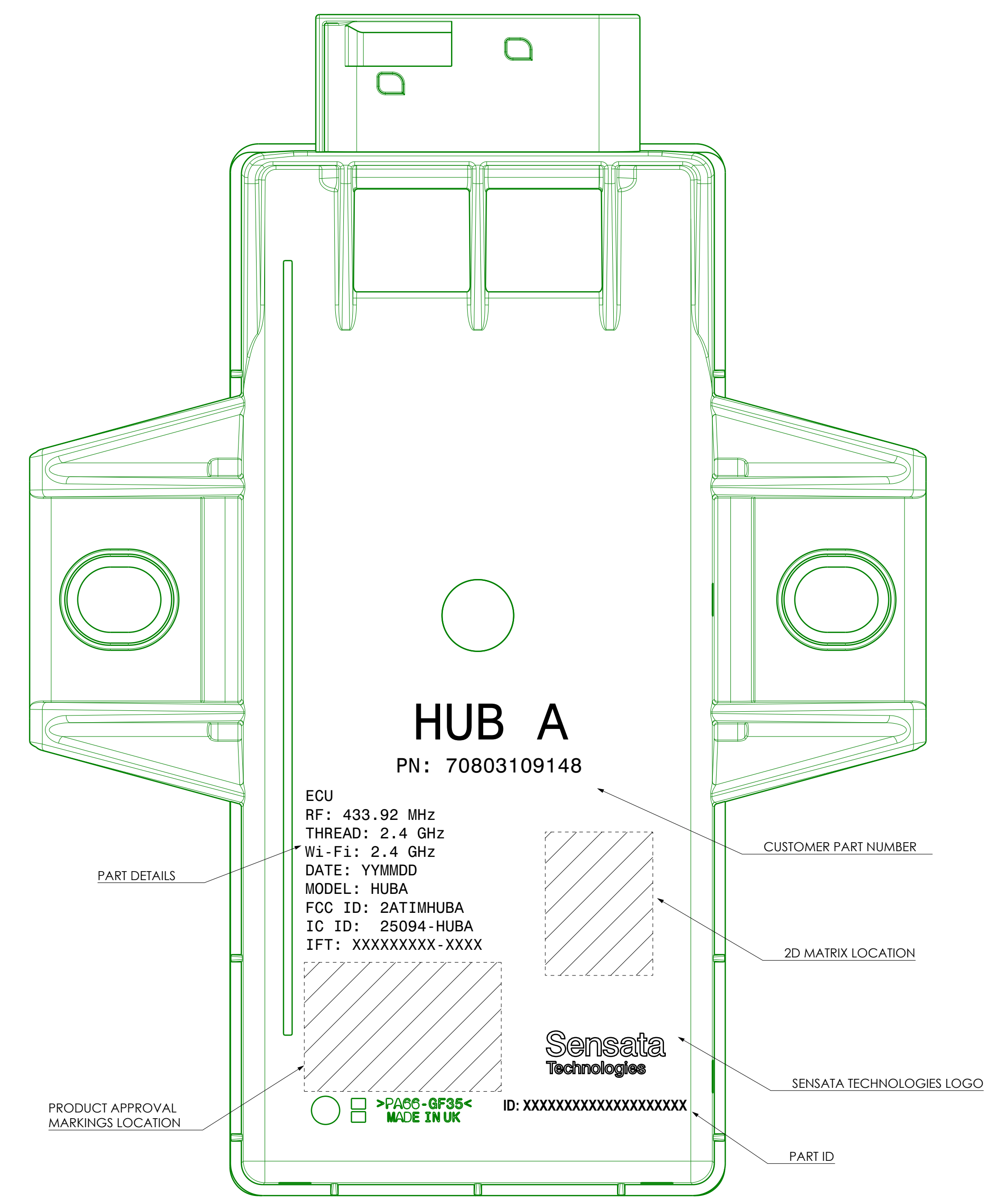


TABLE 1:

TEXT	FONT	SIZE (mm)
HUB A	ARIAL NARROW - BOLD	5.0
PN: 70803109148	ARIAL NARROW - BOLD	2.0
ECU	ARIAL NARROW - BOLD	1.5
RF: 433.92 MHz	ARIAL NARROW - BOLD	1.5
THREAD: 2.4 GHz	ARIAL NARROW - BOLD	1.5
Wi-Fi: 2.4 GHz	ARIAL NARROW - BOLD	1.5
DATE: YYMMDD	ARIAL NARROW - BOLD	1.5
MODEL: XXXXXXXX	ARIAL NARROW - BOLD	1.5
FCC ID: 2ATIMHUBA	ARIAL NARROW - BOLD	1.5
IC ID: 25094-HUBA	ARIAL NARROW - BOLD	1.5
IFT: XXXXXXXX-XXXX	ARIAL NARROW - BOLD	1.5
SENSATA TECHNOLOGIES LOGO	N/A	10
ID: XXXXXXXXXXXXXXXXXXXX	ARIAL NARROW - BOLD	1.5
2D MATRIX	N/A	8 X 8

TABLE 2:

MCH CODE XXXXX



DRAFT - FOR TECHNICAL FEEDBACK OR QUOTATION PURPOSES ONLY

PART NO	DRAWING VERSION	3D CAD VERSION
70803109148	1	XX

SUPPLIER: PLEASE NOTE WHEN IN COMMUNICATION WITH SENSATA ABOUT DRAFT ITEMS, PLEASE USE PART NUMBER TOGETHER WITH 3D CAD VERSION AS UNIQUE IDENTIFIER OF REFERENCED 3D CAD MODEL.

FOR REFERENCE ONLY. CHECK LATEST REVISION BEFORE USE. REFER TO PLM FOR CONTROLLED DATA, CHANGE HISTORY AND APPROVALS.		TECHNOLOGY PARK, ANTRIM, UK, B141 1QS	
MATERIAL	THIS DRAWING IS CONFIDENTIAL AND PROPRIETARY OF SCHRADER ELECTRONICS LIMITED. THE INFORMATION CONTAINED WITHIN IT MAY NOT BE USED, DISCLOSED OR REPRODUCED IN WHOLE OR PART, WITHOUT THE EXPRESSED WRITTEN CONSENT OF SCHRADER ELECTRONICS LIMITED. NO RIGHT IS GRANTED TO DISCLOSE OR USE ANY INFORMATION CONTAINED WITHIN THIS DRAWING. SCHRADER ELECTRONICS LIMITED IS PART OF THE SENSATA TECHNOLOGIES GROUP.	PART NUMBER 70803109148	
SEE TABLE 1	TBC	TITLE HUB LASER MARKING DRAWING (GENERIC)	
PROJECT NO. PRJ0007022	REVISION SYMBOL ○	DRAWING NO. 00012441	
UNLESS OTHERWISE SPECIFIED DIMENSIONS ARE IN MILLIMETRES		DO NOT SCALE DRAWING	THIRD ANGLE PROJECTION
SCALE 2:1		CATA VSR28	SHEET 1 OF 1