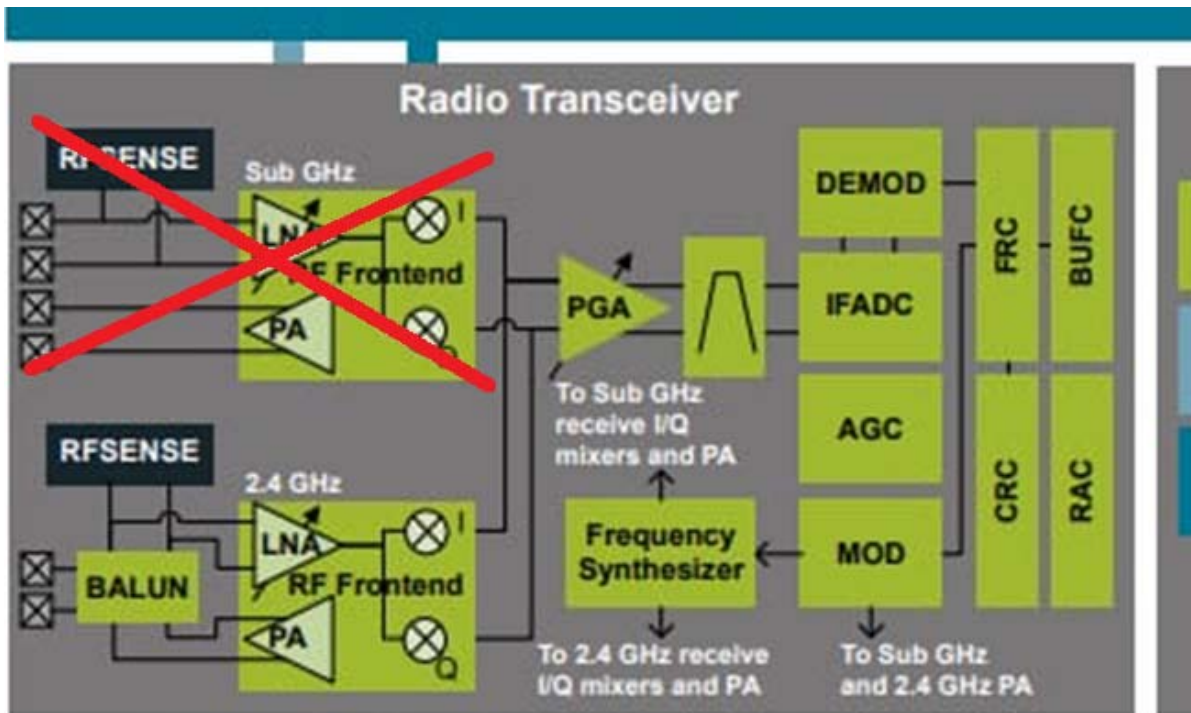
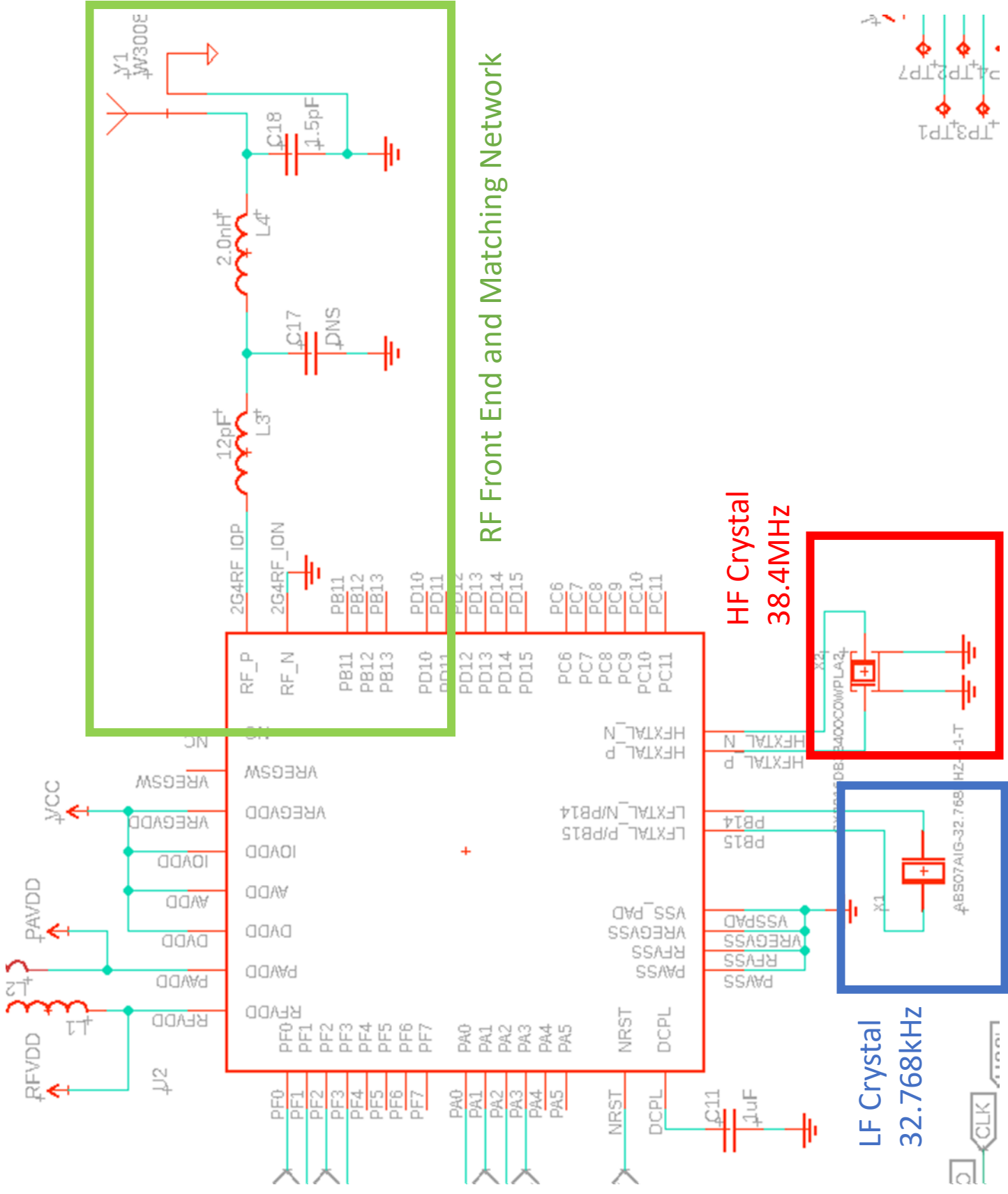


Frequency Block Diagram – TS ESCO003 – GET Detect Bucket Module





RF Front End and Matching Network

HF Crystal
38.4MHz

LF Crystal
32.768kHz

