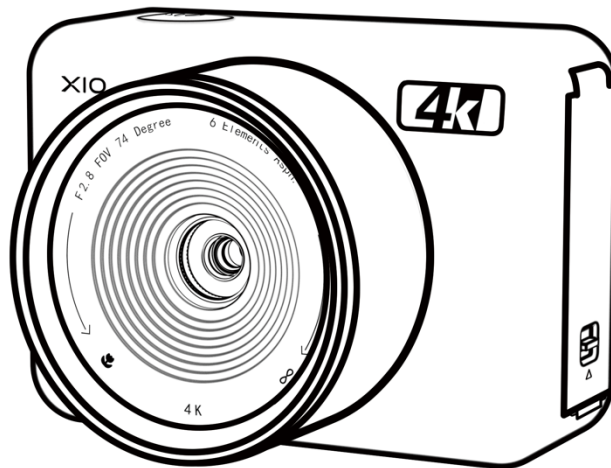




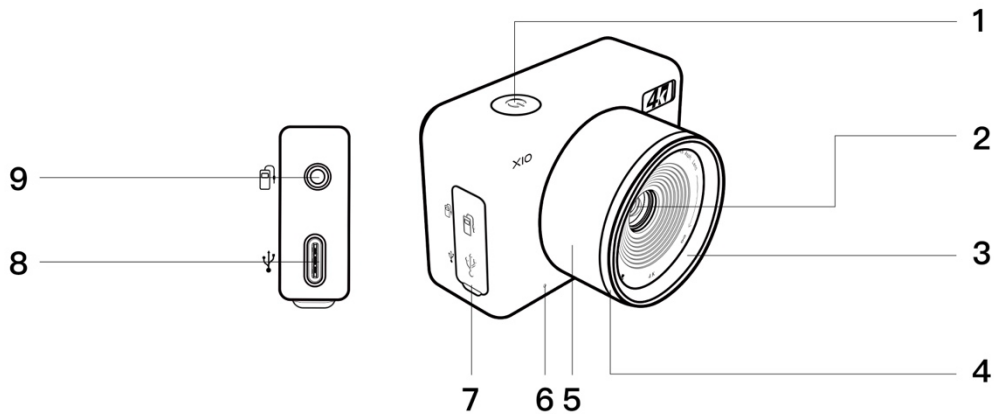
# X10

## 4K Time Lapse Camera **Quick User Guide**

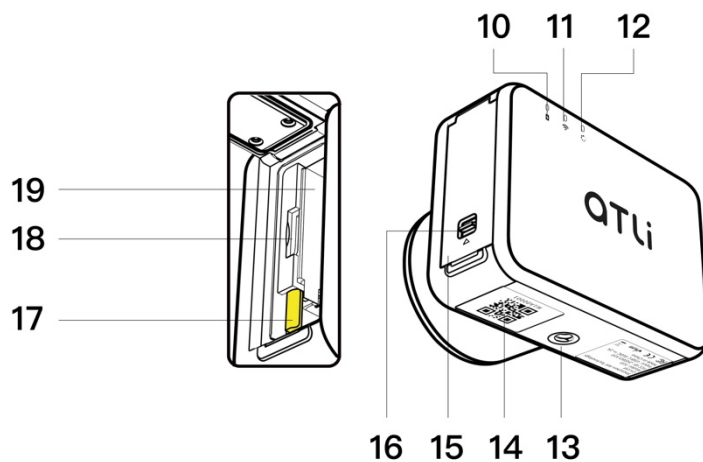


For the electronic version of the guide, scan the QR code to access it on your computer or mobile.

# The Camera Body



- |                  |                   |
|------------------|-------------------|
| 1 Power Button   | 6 Microphone      |
| 2 Lens           | 7 Silicone Cover  |
| 3 52mm UV Filter | 8 USB-C Connector |
| 4 Filter Mount   | 9 2.5mm Connector |
| 5 Focus Ring     |                   |

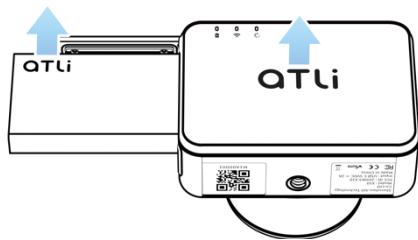
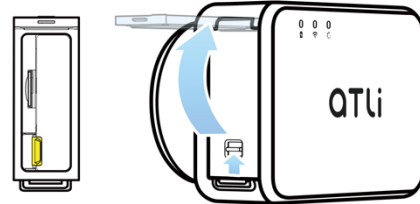


- |                         |                                   |
|-------------------------|-----------------------------------|
| 10 Charging Indicator   | 15 Battery/Memory Card Door       |
| 11 Wi-Fi Indicator      | 16 Battery/Memory Card Door Latch |
| 12 Operation Indicator  | 17 Battery Clip                   |
| 13 1/4"-20 Tripod Mount | 18 MicroSD Card Slot              |
| 14 Camera QR Code       | 19 Battery Compartment            |

# Battery

## Inserting Battery

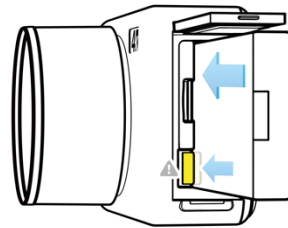
**1** Pull the door latch down till the door pops open.



**2** Adjust the battery until the “ATLI” logos are aligned in the same direction.

**3** Use the battery to push the yellow latch back until the battery can be inserted.

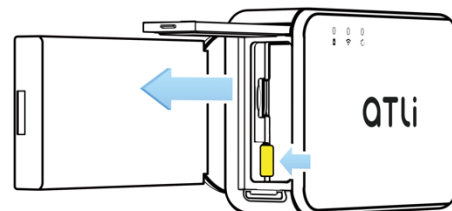
**4** Slide in the battery until the yellow latch click in to lock the battery in place.



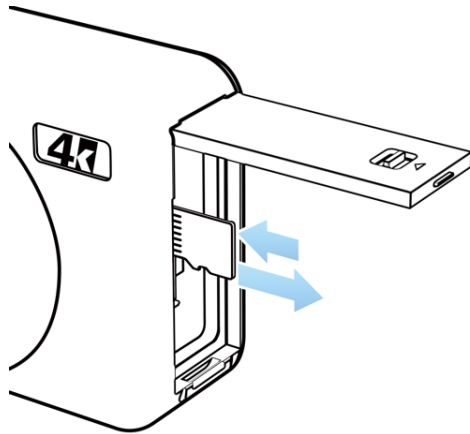
## Removing the Battery

**1** To remove the battery, turn the camera off, pull down the door latch to open the Battery/Card door.

**2** Press the yellow latch so that the battery can be released. Pull the battery tab to slide out the battery.



# Memory Card



## Memory Card Requirement

- Type: microSD
- Capacity: Support max.512GB
- Speed Class: U3
- Format: exFat

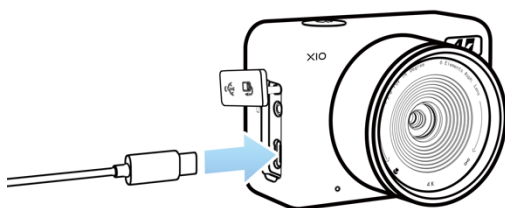
## Inserting microSD card

- 1** Open the Battery/Card door.
- 2** Orient the card so that the metal contacts facing toward the front side of the camera and the card cut out facing down.
- 3** Slide in the memory card until it clicks.

## Removing memory card

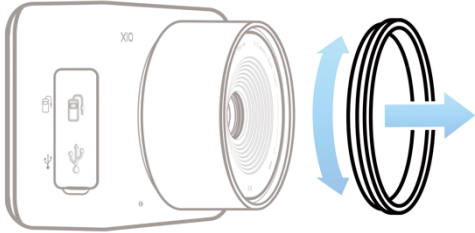
To remove the memory card, press the card in and then release slowly. The card will then eject out a little and can be removed by hand.

# Charging



- 1** Pry open the silicone cover.
- 2** Connect the USB-C port to an external USB power source with a minimum rating of 5V@1A.

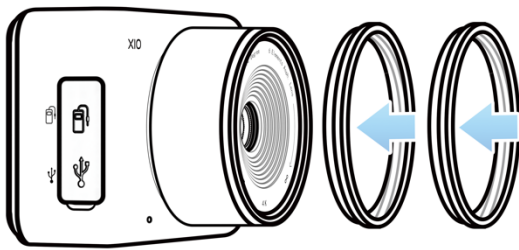
## Remove UV Filter



To remove the UV filter from the lens, grip the edge of the filter and turn it counterclockwise (to the left).

## Add-On Filter

This product accommodates common 52mm filters, enabling you to enhance your camera's functionality to precisely align with your artistic vision and adapt to diverse shooting conditions.






**1** Screw clockwise an add-on filter on the UV Filter or on the Focus Ring (remove the UV filter first).

**2** Add more filters on top as required.

## Status Indicators

The camera features three indicator lights for essential feedback:

- the Charging indicator displays battery and power status.
- the Wi-Fi indicator indicates mode and Wi-Fi connectivity.
- the Operation indicator reflects camera running states.

Indicator	Color	Status
Charging 	Green Breathing	Charging
	Green Steady	Fully charged
	Red Blinking	Battery $\leq$ 20%
Wi-Fi 	Yellow Steady	Ready for direct connection
	Green Steady	Connected to WLAN
	Green Blinking	Connecting to WLAN
Operation 	Yellow Steady	Booting
	Green Steady	Ready
	Green Blinking	Recording/Shooting
	Red Blinking	Sleeping
	Green/Red/Yellow Blinking	Upgrading

## ATLI Cam+ app

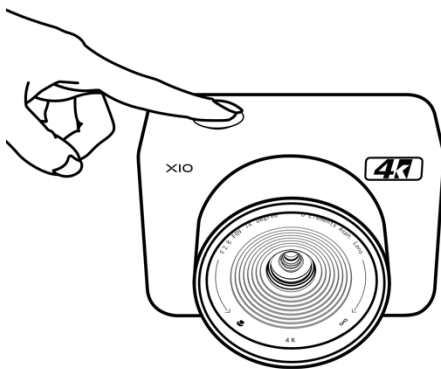
This app connects your mobile device to ATLI cameras for easy management and operation.

Download it from the App Store/Google Play or scan the QR code.

Follow the setup instructions to start your timelapse journey.



## Camera Registration



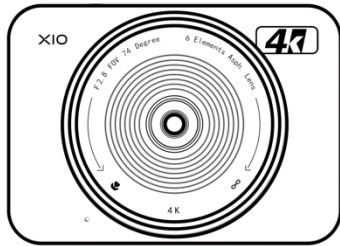
- 1** Open ATLI Cam+ and go to the camera list > [Add Camera].
- 2** Press the power button to turn on the camera. The camera beeps when turned on.
- 3** Scan the QR code located at the bottom of the camera and complete the registration process.

### ATLI Cam+ Login

To take full advantage of your ATLI Cam+, please create an account and log in to the app. This will enable automatic warranty registration and provide you with cross-device access.

# Manual Focus

This camera features a manual focus system, allowing users to adjust the focus of the camera to achieve sharp and clear images.



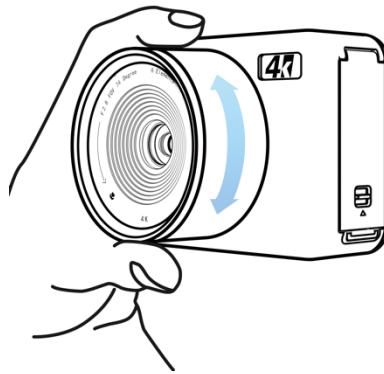
## Subjects beyond 2 meters

Use the hyperfocal mark/position, indicated by a distinct click when turning the focus ring, for quick focusing on subjects beyond 2 meters.

## Subjects within 12 cm to 2 meters

**1** Adjust the camera's focus ring slowly until the image appears clear and sharp on the live feed.

**2** To achieve precise focus, utilize the 4x zoom function within the app by tapping the zoom icon, selecting the desired area of the live feed, and confirming to zoom in.





# Specifications

## General

Dimensions	860*600*675mm
Weight	210g (with battery)
Weatherproof	IP64
Supported SD Cards	Max. 512GB microSD

## Camera

Sensor	1/1.8"
Pixel Size	2 $\mu$ m*2 $\mu$ m
Lens	6 Elements Aspherical Lens
ISO Range	100 - 3200
Shutter Speed	1/20K – 30secs
White Balance	2000 - 10000
Focus Method	Manual focus
Focus Range	12cm to infinity
Exposure Metering	Center-weighted
Time Lapse Mode	Resolution: 3840*2160@25FPS, 1920*1080@25FPS Output: Video, JPG, Video+JPG Intervals: 2second-24hours Duration: Custom/Infinity Schedule: Max.4 slots
Photo Mode	Resolution:3840*2160, 1920*1080
Video Mode	Resolution:3840*2160@30FPS, 1920*1080@60FPS,1920*1080@30FPS Segment:5minutes/10minutes
Support File System	exFAT

Photo Format	JPEG
Video Format	MP4
Video Encoding	H.264

## Battery

Type	Rechargeable Li-ion
Capacity	4400 mAh
Energy	16.7Wh
Voltage	3.8V
Limited Voltage	4.35V
Charging Temperature	5° to 45° (32° to 113°F)
Operating Temperature	-10° to 50° (14° to 122°F)

## Connection

Wi-Fi Protocol	Dual-band Wi-Fi 5 (IEEE 802.11 a/b/g/n/ac)
----------------	--------------------------------------------

## Interface / Control

Language	简体中文/繁体中文/English/日本語
App Control	iOS/Android
Firmware Updates	Over-The-Air (OTA) / MicroSD card

## Warranty

Under normal operation, the product is covered by a one-year limited warranty from ATLI World Limited.

To qualify for this warranty, customers must provide the original purchase invoice or register the product online.

To access warranty service, please contact us via email to report any issues and obtain authorization beforehand.

Email us: [service@atliview.com](mailto:service@atliview.com)



Scan this code to view the user manual for in-app controls.

## FCC Statement

This device complies with part 15 of the FCC Rules. Operation is subject to the following two conditions:

- (1) this device may not cause harmful interference, and
- (2) this device must accept any interference received, including interference that may cause undesired operation.

Any changes or modifications not expressly approved by the party responsible for compliance could void the user's authority to operate the equipment.

NOTE: This equipment has been tested and found to comply with the limits for a Class B digital device, pursuant to Part 15 of the FCC Rules. These limits are designed to provide reasonable protection against harmful interference in a residential installation. This equipment generates, uses and can radiate radio frequency energy and, if not installed and used in accordance with the instructions, may cause harmful interference to radio communications. However, there is no guarantee that interference will not occur in a particular installation.

If this equipment does cause harmful interference to radio or television reception, which can be determined by turning the equipment off and on, the user is encouraged to try to correct the interference by one or more of the following measures:

- Reorient or relocate the receiving antenna.
- Increase the separation between the equipment and receiver.
- Connect the equipment into an outlet on a circuit different from that to which the receiver is connected.
- Consult the dealer or an experienced radio/TV technician for help.

The device has been evaluated to meet general RF exposure requirement. The device can be used in portable exposure condition without restriction