
FCC Test Report

Report No: WD-RF-R-190342-I0

Product Name : Time Clock
Model Name : NT8000X-XX(X can be 0~9 or a~z or A~Z or blank)
Series Model Name : NT8000Y-YY(Y can be 0~9 or a~z or A~Z or blank)
FCC ID : 2ASpanovAtime-HID
Applicant : NOVAtime Technology, Inc.
Received Date : Feb. 18, 2019
Tested Date : May. 09, 2019 ~ Jun. 26, 2019
Applicable Standard : 47 CFR FCC Part 15, Subpart C (Section 15.209)
ANSI C63.10 : 2013



Wendell Industrial Co., Ltd
Wendell Electrical Testing Lab.

Caution:

This report sets forth our findings solely with respect to the test samples identified herein. The results set forth in this report are not indicative or representative of the quality or characteristics of the lot from which a test sample was taken or any similar or identical product unless specifically and expressly noted.

The test results shown in the test report are traceable to the national/international standard through the calibration report of the equipment.

Please note that the measurement uncertainty are provided for informational purpose only and are not used in determining the Pass/Fail results.

This report must not be used to claim product endorsement by TAF or any agency of the government.

The test report shall not be reproduced without the written approval of Wendell Industrial Co., Ltd..

Test Report

Issued Date: June 26, 2019

Project No.: 19Q021808

Product Name	Time Clock
Trade Name	NOVAtime Technology, Inc.
Model Name	NT8000X-XX(X can be 0~9 or a~z or A~Z or blank)
Series Model Name	NT8000Y-YY(Y can be 0~9 or a~z or A~Z or blank)
FCC ID	2ASPA NOVATIME-HID
Applicant	NOVAtime Technology, Inc.
Manufacturer	unitech electronics co., ltd.
EUT Rated Voltage	AC 100 ~ 240V / 50 or 60Hz 、PoE
EUT Test Voltage	AC 120V / 60Hz
EUT Supports Radios Application	WLAN 802.11a/b/g WLAN 802.11n (HT20/HT40) Bluetooth BR/EDR/LE RFID
Applicable Standard	47 CFR FCC Part 15, Subpart C (Section 15.209) ANSI C63.10 : 2013
Test Result	Complied

Documented :


(Specialist / Emma Lu)

Technical Engineer :


(Deputy Section Manager / Jack Chang)

Approved :


(Project Manager / Gary Wu)

Table of Contents

Document Revision History	4
Summary of Test Result	5
1 Generation Information	6
1.1 Applicant	6
1.2 Manufacturer	6
1.3 Description of Equipment under Test	6
1.4 Configuration of Tested System	9
1.5 EUT Exercise Software	9
1.6 Tested System Details	10
1.7 Test Facility	11
1.8 Measurement Uncertainty	11
1.9 List of Test Equipment	12
2 Test Result	14
2.1 Antenna Requirement	14
2.1.1 Standard Applicable.....	14
2.1.2 Antenna Connected Construction.....	14
2.2 Radiated Emissions Measurement	15
2.2.1 Limit	15
2.2.2 Test Setup	15
2.2.3 Test Procedure	16
2.2.4 Test Result	17
2.3 AC Conducted Emissions Measurement	21
2.3.1 Limit	21
2.3.2 Test Setup	21
2.3.3 Test Procedure	22
2.3.4 Test Result	23
Attachment 1: EUT Test Photographs	
Attachment 2: EUT Detailed Photographs	

Document Revision History

Report No.	Issue date	Description
WD-RF-R-190342-I0	June 26, 2019	Initial report

Summary of Test Result

Ref. Std. Clause	Test Items	Result
15.203	Antenna Requirement	Pass
15.209	Radiated Emissions	Pass
15.207	AC Conducted Emission	Pass

1 Generation Information

1.1 Applicant

NOVAtime Technology, Inc.
 9680 Haven Avenue, Suite #200, Rancho Cucamonga, CA 91730

1.2 Manufacturer

unitech electronics co., ltd.
 5Fl., No.136, Lane 235, Pao-Chiao Rd., Hsin-Tien Dist, New Taipei City, Taiwan 231, R.O.C.

1.3 Description of Equipment under Test

Product Name	Time Clock
Model No.	NT8000X-XX(X can be 0~9 or a~z or A~Z or blank)
Series Model No.	NT8000Y-YY(Y can be 0~9 or a~z or A~Z or blank)
FCC ID	2ASpanOVATIME-HID
Frequency Range	125 kHz
Antenna Information	Refer to the table "Antenna List"
EUT Supports Radios Application	WLAN 802.11a/b/g WLAN 802.11n (HT20/HT40) Bluetooth BR/EDR/LE RFID
EUT Rated Voltage	AC 100 ~ 240V / 50 or 60Hz 、PoE
EUT Test Voltage	AC 120V / 60Hz

The EUT uses following adapter.

Trade Name	ENG Electric co., Ltd.
Model No.	6A-601DB12
Input Power	AC 100 ~ 240V / 50 or 60Hz 、PoE
Output Power	DC 12V/5.0A
Power Line	Non-shielded, 1 Core, 1.5m

Antenna List

No.	Manufacturer	Model No.	Antenna Type	Peak Gain
1	Microprogram	3DAT-8000-LL001	Coil Antenna	--

Remark: The antenna of EUT is conforming to FCC 15.203

Channel List

Channel	Frequency (kHz)
01	125

Test Frequencies in each operating band

Frequency range over which the device operates in each operating band (Note 1)	Number of test frequencies required	Location of test frequencies inside the operating frequency range (Note 1,2)
≤ 1 MHz	1	near centre
> 1 MHz and ≤ 10 MHz	2	1 near high end, 1 near low end
> 10 MHz	3	1 near high end, 1 near centre, and 1 near low end

Note 1: The frequency range over which the device operates in a given operating band is the difference between the highest and lowest frequencies on which the device can be tuned within that given operating band. The frequency range can be smaller than or equal to the operating band, but cannot be greater than the operating band.

Note 2: In the third column of table 1, “near” means as close as possible to or at the centre / low end / high end of the frequency range over which the device operates.

Firmware / Software Version

1	Product Name	Time Clock
2	Model No.	NT8000X-XX(X can be 0~9 or a~z or A~Z or blank)
3	Test SW Version	N/A
4	RF power setting in TEST SW	<input checked="" type="checkbox"/> RF power setting was not able to alter during testing. <input type="checkbox"/> RF power setting was able to alter during testing. (See the following table)

Parameters of test software setting

Type of Modulation	Channel	Frequency (kHz)	Set Value
--	01	125	Default

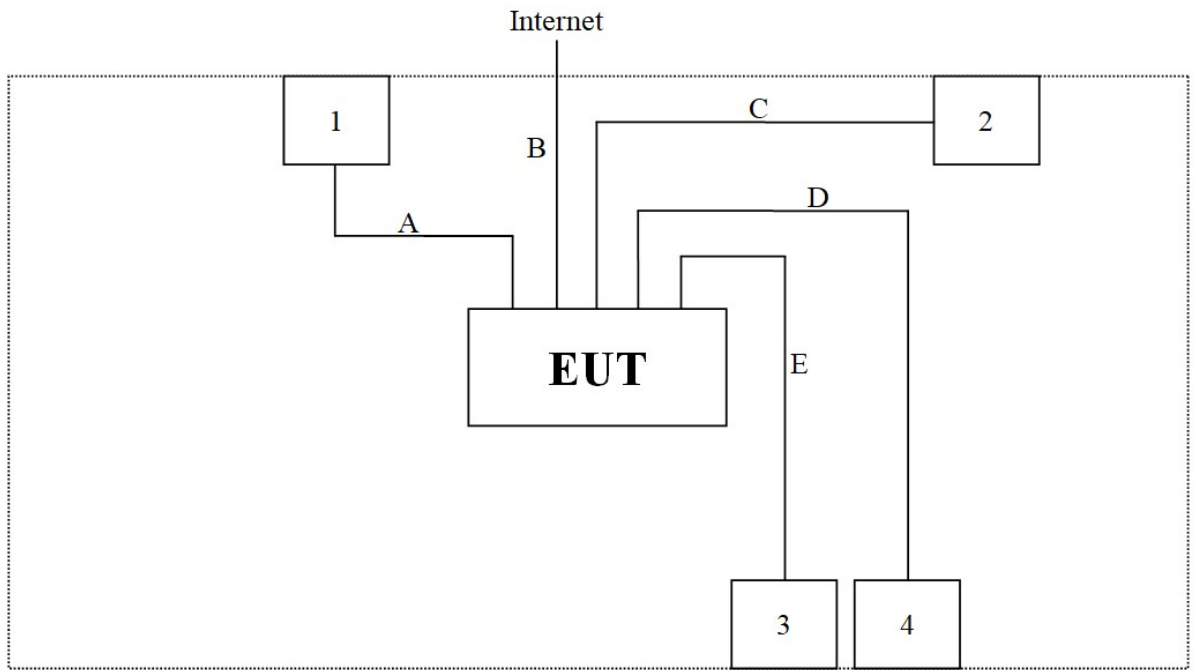
Test Mode

Mode 1	Transmit RFID
---------------	---------------

Note:

1. This device is a Time Clock with a built-in Wi-Fi 、 Bluetooth and RFID transceiver.
2. Main model: NT8000X-XX (X can be 0~9 or a~z or A~Z or blank), series model: NT8000Y-YY (Y can be 0~9 or a~z or A~Z or blank). The difference lies in the fingerprint recognizer function.
3. The EUT supports "Power over Ethernet" and "Adapter", the worst case is the adapter power supply. The final test mode selects the adapter power and records it in the report.
4. These tests were conducted on a sample of the equipment for the purpose of demonstrating compliance with Part 15 Subpart C Paragraph 15.209.
5. The radiation measurements are performed in X, Y, Z axis positioning. Only the X axis worst case is shown in the report.

1.4 Configuration of Tested System



Test Table

1.5 EUT Exercise Software

1. Setup the EUT as shown in Section 1.4
2. Turn on the power of all equipment.
3. Using tag to trigger RFID continuous transmission.
4. Verify that the EUT works properly.

1.6 Tested System Details

The types for all equipment, plus descriptions of all cables used in the tested system (including inserted cards) are:

No.	Product	Manufacturer	Model No.	Serial No.	Power Cord
1	Adapter	ENG Electric co., Ltd.	6A-601DB12	N/A	Non-shielded, 1 Core, 1.5m
2	Notebook PC	acer	N16Q1	NXVF4TA023742254147600	Non-shielded, 1 Core, 0.8m
3	USB Keyboard	Lemel	5105U	G6450015686	Non-shielded, Non-Core, 1.5m
4	USB Mouse	Lemel	M83	201707K31002387	Non-shielded, Non-Core, 1.5m

No.	Signal Cable Type	Signal cable Description
A	Power Cable	Non-shielded, 1 Core, 1.5m
B	LAN Cable	Non-shielded, Non-Core, 10m
C	USB Cable	Shielded, Non-Core, 1m
D	USB Mouse	Non-shielded, Non-Core, 1.5m
E	USB Keyboard	Non-shielded, Non-Core, 1.5m

1.7 Test Facility

Items	Required (IEC 60068-1)	Actual
Temperature (°C)	15-35	25
Humidity (% RH)	25-75	55
Barometric pressure (mbar)	860-1060	1001

Description: Accredited by TAF
Accredited Number: 2965

Issued by: Wendell Industrial Co., Ltd

Lab Address: 6F/6F-1, No.188, Baoqiao Rd., Xindian Dist.,
New Taipei City 23145, Taiwan R.O.C

Test Lab: Wendell Electrical Testing Lab.

Test Location: No.67-9, Shimen Rd., Tucheng Dist.,
New Taipei City 236, Taiwan R.O.C

FCC Accreditation Number: TW2965

FCC Designation Number: TW1118

1.8 Measurement Uncertainty

ISO/IEC 17025 requires that an estimate of the measurement uncertainties associated with the emissions test results be included in the report. The measurement uncertainties given below are based on a 95% confidence (level based on a coverage factor K=2)

Measurement Project	Measuring Range	Expanded Uncertainty
AC Conducted Emission	0.150 ~ 30 MHz	2.9 dB
Radiated Emission	0.009 ~ 30 MHz	3.8 dB
	30 ~ 1000 MHz	3.5 dB
DC Power Supply	0.5 ~ 30 V	1.7 %
Temperature	15 ~ 30 °C	0.8 °C
Humidity	40 ~ 80 %	3.8 %

Note: Please note that the measurement uncertainty are provided for informational purpose only and are not used in determining the Pass/Fail results.

1.9 List of Test Equipment

For AC Conduction measurements / Conducted Room

Equipment	Manufacturer	Model No.	Serial No.	Cal. Date	Due Date
✓ EMI Test Receiver	R&S	ESR3	102309	2019/5/16	2020/5/15
✓ 2-Line V-Network LISN	R&S	ENV216	101185	2019/5/20	2020/5/19
✓ LISN	SCHWARZBECK	NSLK 8127RC	05028	2019/5/20	2020/5/19
✓ Transient Limiter	EM Electronics Corporation	EM-7600	857	2019/5/16	2020/5/15
✓ 50ohm Cable	EMCI	EMCCFD300-BM-BM-5000	170613	2019/5/16	2020/5/15
✓ 50 ohm terminal impedance	HUBER+SUHNER	50 ohm terminal impedance	CT-1-109-1	2019/5/13	2020/5/12

Remark:

1. All equipments are calibrated every one year.
2. The test instruments marked with “✓” are used to measure the final test results.
3. Test Software version: FARAD EZ-EMC Ver.EMC-CON 3A1

For Radiated measurements / 9x6x6 Semi Anechoic Room

Equipment	Manufacturer	Model No.	Serial No.	Cal. Date	Due Date
✓ Spectrum Analyzer	Keysight	N9010A	MY52220228	2019/4/25	2020/4/24
✓ EMI Receiver	Keysight	N9038A	MY51210173	2018/12/5	2019/12/4
✓ Pre-Amplifier	EMEC	EMC330	060668	2018/10/16	2019/10/15
Pre-Amplifier	EMCI	EMC051845SE	980525	2018/10/11	2019/10/10
Pre-Amplifier	EMCI	EMC184045SE	980515	2018/10/10	2019/10/9
Pre-Amplifier	EMEC	EM01G18G	060648	2018/10/11	2019/10/10
✓ Cable	EMEC	EM-CB400	105060103	2018/10/18	2019/10/17
✓ Cable	EMEC	EM-CB400	105060102	2018/10/18	2019/10/17
✓ Cable	EMEC	EM-CB400	105060101	2018/10/18	2019/10/17
Cable	EMCI	EMC102-KM-KM-600	170637	2018/10/10	2019/10/9
Cable	HUBER+SUHNER	SF102	MY2751/2	2018/10/10	2019/10/9
Cable	EMCI	EMC102-KM-KM-3000	170635	2018/10/10	2019/10/9
✓ Loop Antenna	EMCI	LPA600	277	2018/4/19	2020/4/18
✓ TRILOG super broad Antenna	Schwarzbeck	VULB 9168	VULB 9168-700 & 1421	2018/10/19	2019/10/18
Horn Antenna	Schwarzbeck	BBHA 9120D	01557	2018/10/9	2019/10/8
Horn Antenna	Schwarzbeck	BBHA 9170	703	2018/10/11	2019/10/10
RF Filter	EMEC	BRF-2400-2500	002	2018/10/10	2019/10/9
RF Filter	EMEC	BRF-5150-5350	104	2018/10/10	2019/10/9
RF Filter	EMEC	BRF-5470-5725	092	2018/10/10	2019/10/9
RF Filter	EMEC	BRF-5725-5875	091	2018/10/10	2019/10/9
RF Filter	EMEC	HPF-2800	002	2018/10/10	2019/10/9
RF Filter	EMEC	HPF-5850	059	2018/10/10	2019/10/9

Remark:

1. The test instruments marked with “✓” are used to measure the final test results.
2. Test Software version: FARAD EZ-EMC Ver.WD-03A1-1

2 Test Result

2.1 Antenna Requirement

2.1.1 Standard Applicable

An intentional radiator shall be designed to ensure that no antenna other than that furnished by the responsible party shall be used with the device. The use of a permanently attached antenna or of an antenna that uses a unique coupling to the intentional radiator shall be considered sufficient to comply with the provisions of this section. The manufacturer may design the unit so that a broken antenna can be replaced by the user, but the use of a standard antenna jack or electrical connector is prohibited.

2.1.2 Antenna Connected Construction

Non-standard antenna connector is used.

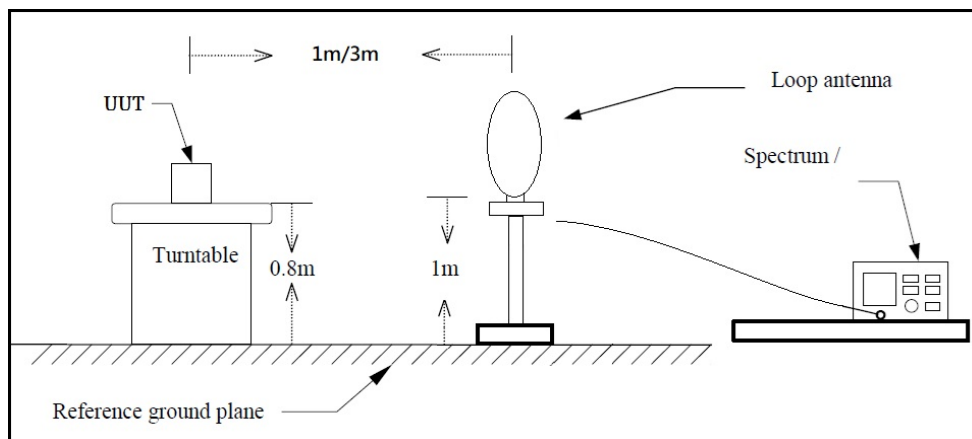
2.2 Radiated Emissions Measurement

2.2.1 Limit

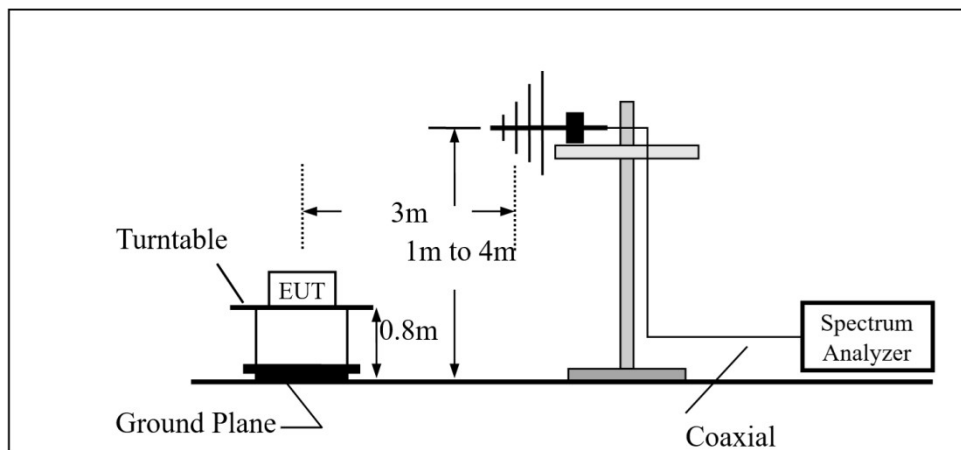
Frequency (MHz)	Field Strength (microvolts / meter)	Measurement Distance (meters)
0.009 ~ 0.490	2400 / F(kHz)	300
0.490 ~ 1.705	24000 / F(kHz)	30
1.705 ~ 30.0	30	30
30 ~ 88	100	3
88 ~ 216	150	3
216 ~ 960	200	3
Above 960	500	3

2.2.2 Test Setup

Below 30MHz



Above 30MHz



2.2.3 Test Procedure

The EUT was setup according to ANSI C63.10, 2013 for compliance to FCC 47CFR 15.209 requirements.

For Radiated emission below 30MHz

- (1) The EUT was placed on the top of a rotating table 0.8 meters above the ground in a 3 meter chamber room. The table was rotated 360 degrees to determine the position of the highest radiation.
- (2) The EUT was set 3 meters away from the interference-receiving antenna, which was mounted on the top of a variable-height antenna tower.
- (3) Parallel, perpendicular, and ground-parallel orientations of the antenna are set to make the measurement.
- (4) For each suspected emission, the EUT was arranged to its worst case and the rotatable table was turned from 0 degrees to 360 degrees to find the maximum reading.
- (5) The test-receiver system was set to Quasi-Peak Detect Function and Specified Bandwidth with Maximum Hold Mode.

2.2.4 Test Result

Below 30 MHz Data

Test Mode :	Mode 1: Transmit RFID	Test Date :	2019/06/26
Test Frequency:	125 KHz.	Temperature :	25 °C
Polarization :	X axis; Horizontal	Relative Humidity :	65 %

No.	Frequency (MHz)	Reading (dBuV/m)	Correct Factor (dB/m)	Result (dBuV/m)	Limit (dBuV/m)	Margin (dB)	Remark
1	0.0517	33.3900	63.7700	97.1600	132.4193	-35.2593	QP
2	0.1250	45.9000	56.1200	102.0200	124.7509	-22.7309	AVG
3	0.1327	36.7100	55.8000	92.5100	124.2317	-31.7217	AVG
4	0.1500	38.1300	55.0800	93.2100	123.1672	-29.9572	AVG
5	1.3740	31.1300	40.4300	71.5600	83.9293	-12.3693	QP
6	6.4185	10.9000	37.2600	48.1600	88.6273	-40.4673	QP
7	28.2687	6.5500	39.5300	46.0800	88.6273	-42.5473	QP

Remark :

- (1) Actual test distance = 1 meters
- (2) Correction Factor = Antenna factor + Cable loss – Amplifier gain
- (3) Result Value = Reading Level + Correct Factor
- (4) Margin Level = Measurement Value – Limit Value
- (5) The other emission levels were very low against the limit

Test Mode :	Mode 1: Transmit RFID	Test Date :	2019/06/26
Test Frequency:	125 KHz.	Temperature :	25 °C
Polarization :	X axis; Vertical	Relative Humidity :	65 %

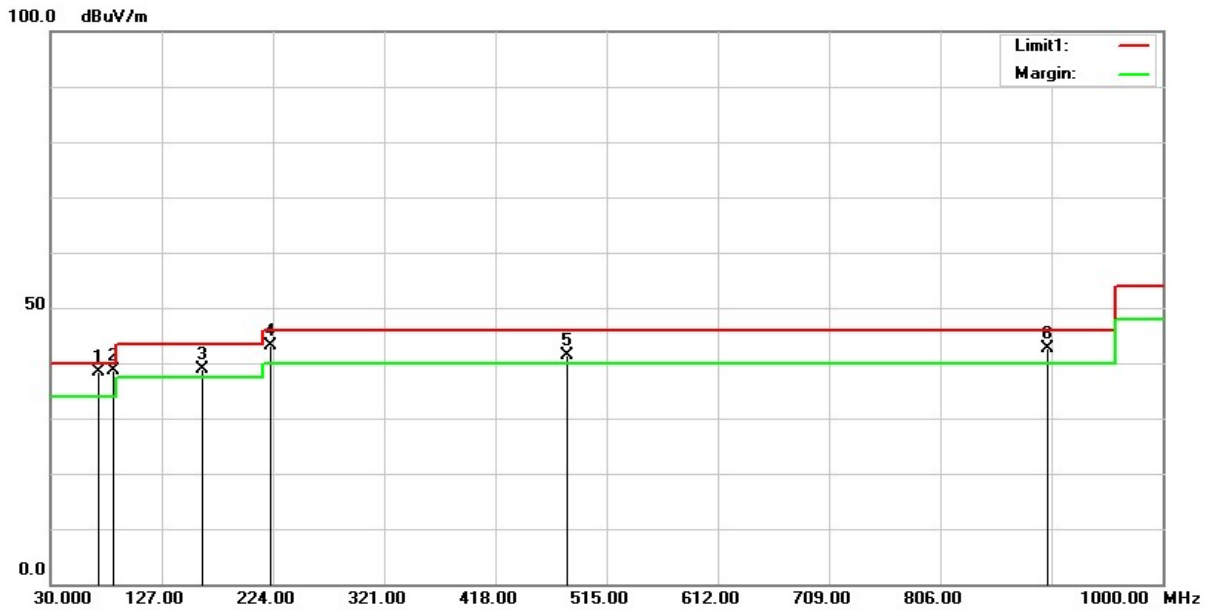
No.	Frequency (MHz)	Reading (dBuV/m)	Correct Factor (dB/m)	Result (dBuV/m)	Limit (dBuV/m)	Margin (dB)	Remark
1	0.0520	34.7600	63.7200	98.4800	132.3690	-33.8890	QP
2	0.1250	44.3900	56.1200	100.5100	124.7509	-24.2409	AVG
3	0.1318	36.7600	55.8400	92.6000	124.2908	-31.6908	AVG
4	0.2097	30.6300	52.6100	83.2400	120.2571	-37.0171	AVG
5	1.3740	26.5700	40.4300	67.0000	83.9293	-16.9293	QP
6	6.6871	8.6300	37.3200	45.9500	88.6273	-42.6773	QP
7	26.3881	6.0700	38.9300	45.0000	88.6273	-43.6273	QP

Remark :

- (1) Actual test distance = 1 meters
- (2) Correction Factor = Antenna factor + Cable loss – Amplifier gain
- (3) Result Value = Reading Level + Correct Factor
- (4) Margin Level = Measurement Value – Limit Value
- (5) The other emission levels were very low against the limit

Above 30MHz Data

Test Mode :	Mode 1: Transmit RFID	Test Date :	2019/06/24
Test Frequency:	125 KHz	Temperature :	25 °C
Polarization :	Horizontal	Relative Humidity :	65 %



No.	Frequency (MHz)	Reading (dBuV/m)	Correct Factor (dB/m)	Result (dBuV/m)	Limit (dBuV/m)	Margin (dB)	Remark
1	71.7100	50.90	-12.52	38.38	40.00	-1.62	QP
2	84.3200	54.03	-15.33	38.70	40.00	-1.30	QP
3	162.8900	48.55	-9.68	38.87	43.50	-4.63	QP
4	222.0600	55.30	-12.27	43.03	46.00	-2.97	QP
5	480.0800	46.04	-4.77	41.27	46.00	-4.73	QP
6	900.0900	40.57	2.11	42.68	46.00	-3.32	QP

Remark :

- (1) Correction Factor = Antenna factor + Cable loss – Amplifier gain
- (2) Result Value = Reading Level + Correct Factor
- (3) Margin Level = Measurement Value – Limit Value
- (4) The other emission levels were very low against the limit

Test Mode :	Mode 1: Transmit RFID	Test Date :	2019/06/24
Test Frequency:	125 KHz	Temperature :	25 °C
Polarization :	Vertical	Relative Humidity :	65 %



No.	Frequency (MHz)	Reading (dBuV/m)	Correct Factor (dB/m)	Result (dBuV/m)	Limit (dBuV/m)	Margin (dB)	Remark
1	71.7100	51.06	-12.52	38.54	40.00	-1.46	QP
2	79.4700	53.30	-14.33	38.97	40.00	-1.03	QP
3	230.7900	53.93	-11.57	42.36	46.00	-3.64	QP
4	480.0800	48.44	-4.77	43.67	46.00	-2.33	QP
5	600.3600	45.69	-2.02	43.67	46.00	-2.33	QP
6	900.0900	42.15	2.11	44.26	46.00	-1.74	QP

Remark :

- (1) Correction Factor = Antenna factor + Cable loss – Amplifier gain
- (2) Result Value = Reading Level + Correct Factor
- (3) Margin Level = Measurement Value – Limit Value
- (4) The other emission levels were very low against the limit

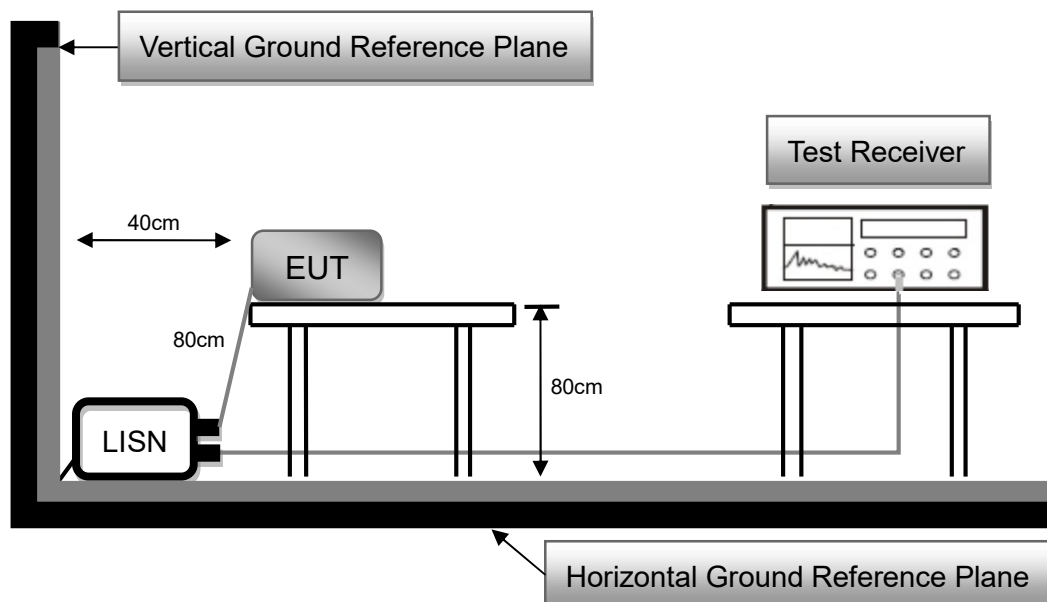
2.3 AC Conducted Emissions Measurement

2.3.1 Limit

Frequency (MHz)	FCC Part 15 Subpart C Paragraph 15.207 (dB μ V) Limit	
	Quasi-peak	Average
0.15 to 0.5	66 to 56*	56 to 46*
0.50 to 5.0	56	46
5.0 to 30.0	60	50

*Decreases with the logarithm of the frequency

2.3.2 Test Setup

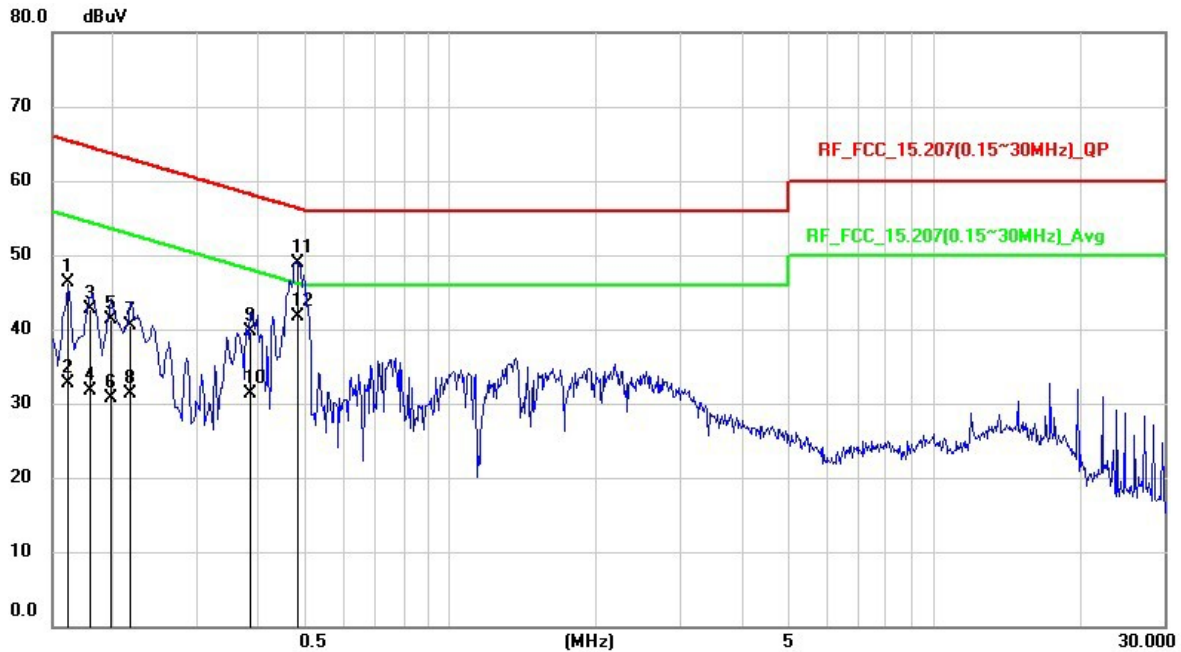


2.3.3 Test Procedure

1. The EUT was placed 0.8 meter height wooden table from the horizontal ground plane with EUT being connected to power source through a line impedance stabilization network (LISN). The LISN at least be 80 cm from nearest chassis of EUT.
2. The line impedance stabilization network (LISN) provides 50 ohm/50uH of coupling impedance for the measuring instrument. All other support equipments powered from additional LISN(s).
3. Interrelating cables that hang closer than 40 cm to the ground plane shall be folded back and forth in the center forming a bundle. All I/O cables were positioned to simulate typical usage.
4. All I/O cables that are not connected to a peripheral shall be bundle in the center. The end of the cable may be terminated, if required, using the correct terminating impedance. The overall length shall not exceed 1 m.
5. The EMI test receiver connected to LISN powering the EUT. The actual test configuration, please refer to EUT test photos.
6. The receiver scanned from 150kHz to 30MHz for emissions in each of test modes. A scan was taken on both power lines, Line and Neutral, recording at least six highest emissions.
7. The EUT and cable configuration of the above highest emission levels were recorded. The test data of the worst case was recorded.

2.3.4 Test Result

Test Voltage :	120Vac, 60Hz	Frequency Range:	0.15-30 MHz
Test Mode :	Transmit RFID	6dB Bandwidth :	9 kHz
Test Date :	2019/06/05	Phase :	L
Temperature :	25°C	Humidity :	65 %

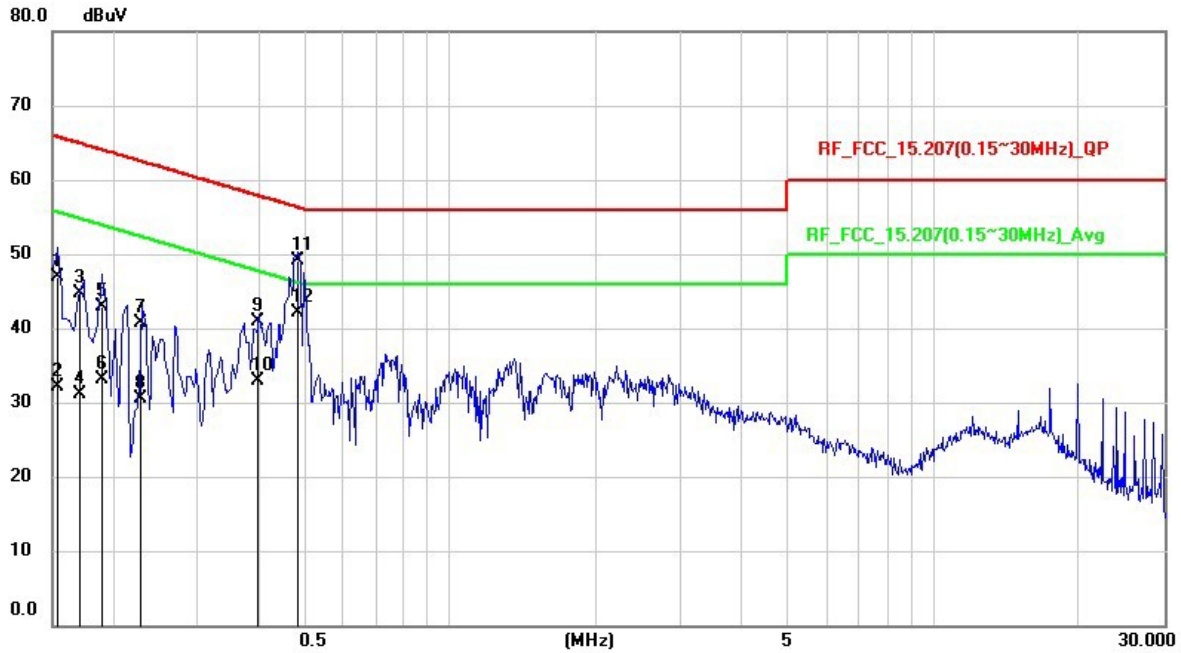


No.	Frequency (MHz)	Reading Level (dBuV)	Correct Factor (dB)	Measurement (dBuV)	Limit (dBuV)	Margin (dB)	Detector
1	0.1611	36.43	9.84	46.27	65.41	-19.14	QP
2	0.1611	22.92	9.84	32.76	55.41	-22.65	AVG
3	0.1791	32.78	9.83	42.61	64.53	-21.92	QP
4	0.1791	21.85	9.83	31.68	54.53	-22.85	AVG
5	0.1987	31.51	9.83	41.34	63.66	-22.32	QP
6	0.1987	20.85	9.83	30.68	53.66	-22.98	AVG
7	0.2171	30.72	9.83	40.55	62.93	-22.38	QP
8	0.2171	21.43	9.83	31.26	52.93	-21.67	AVG
9	0.3863	29.87	9.84	39.71	58.14	-18.43	QP
10	0.3863	21.53	9.84	31.37	48.14	-16.77	AVG
11	0.4814	39	9.84	48.84	56.31	-7.47	QP
12	0.4814	31.96	9.84	41.8	46.31	-4.51	AVG

Remark:

1. QP = Quasi Peak, AVG = Average
2. Correction Factor = Insertion loss of LISN + Cable loss
3. Measurement Value = Reading Level + Correct Factor
4. Margin Level = Measurement Value – Limit Value

Test Voltage :	120Vac, 60Hz	Frequency Range:	0.15-30 MHz
Test Mode :	Transmit RFID	6dB Bandwidth :	9 kHz
Test Date :	2019/06/05	Phase :	N
Temperature :	25°C	Humidity :	65 %



No.	Frequency (MHz)	Reading Level (dBuV)	Correct Factor (dB)	Measurement (dBuV)	Limit (dBuV)	Margin (dB)	Detector
1	0.1534	37.13	9.83	46.96	65.81	-18.85	QP
2	0.1534	22.35	9.83	32.18	55.81	-23.63	AVG
3	0.1709	34.86	9.83	44.69	64.92	-20.23	QP
4	0.1709	21.27	9.83	31.1	54.92	-23.82	AVG
5	0.19	33.14	9.82	42.96	64.04	-21.08	QP
6	0.19	23.33	9.82	33.15	54.04	-20.89	AVG
7	0.2272	30.94	9.82	40.76	62.55	-21.79	QP
8	0.2272	20.77	9.82	30.59	52.55	-21.96	AVG
9	0.3992	31.08	9.84	40.92	57.87	-16.95	QP
10	0.3992	23.06	9.84	32.9	47.87	-14.97	AVG
11	0.4819	39.28	9.84	49.12	56.31	-7.19	QP
12	0.4819	32.17	9.84	42.01	46.31	-4.3	AVG

Remark:

1. QP = Quasi Peak, AVG = Average
2. Correction Factor = Insertion loss of LISN + Cable loss
3. Measurement Value = Reading Level + Correct Factor
4. Margin Level = Measurement Value – Limit Value

- END -