

Industrial Tablet PC

User Manual

V18-1.0

Brief Introduction

First of all, thanks for purchasing Industrial Tablet PC.

This user manual includes function introduction, operation process and solutions for abnormal problems. In order to guarantee the proper operation of this device, please read this manual in detail before using for quick response when problems appear.

Note:

- We will try our best to improve this manual to ensure the accuracy of its content. If you find any errors in this manual, please contact us.
- This manual is for reference only. The specific functions and product pictures may be slightly different from the actual product, please refer to the actual product.

Without permission from supplier in writing, it is forbidden to copy all or part of the manual.

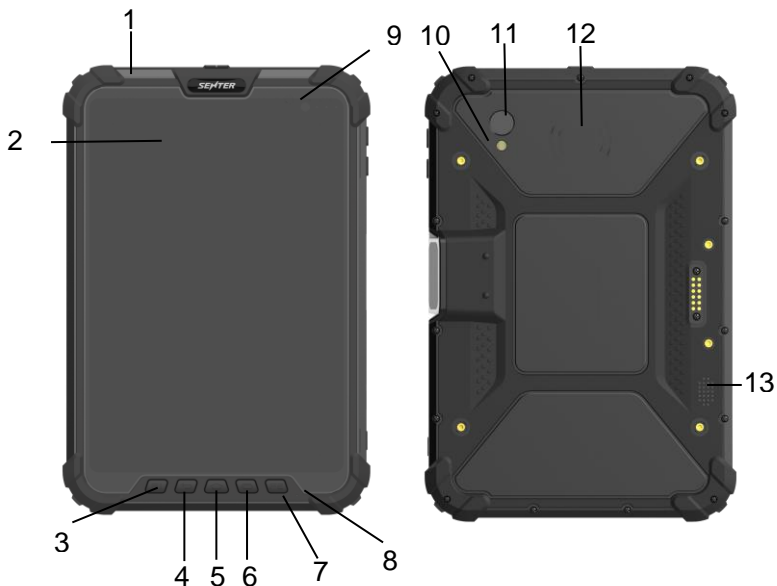
Contents

Contents	1
1. Check device and package	2
2. Components	2
3. Basic Information	6
4. Basic functions	7
5. Solutions for abnormal problems.....	8

1. Check device and package

After you receive the equipment, please open the packing box and check whether the items are complete according to the packing list. If the goods are damaged or if you need to add or replace some standard accessories, please contact our company.

2. Components





No	Name	Functions
1	Sealed cover	Sealing cover to dustproof and waterproof
2	Screen	Display the window
3	F1 key	Extended functional Button 1
4	Return key	To return the last operation
5	The Home key	To go to the main page quickly
6	Menu key	Long press to enter the task management
7	F2 Key	Extended functional Button 2
8	MIC	MIC
9	Front Camera	Used to take pictures
10	Flashlight	Flashlight can be used for emergency lighting
11	Rear Camera	Used to take pictures and video
12	HF RFID scanning Area	HF RFID scanning Area
13	Loudspeaker	The loudspeaker device
14	SIM card slot	To use to insert SIM card

15	TF card slot	To use to insert TF card
16	Headphone Hole	To connect with headphone
17	Charging Hole	Used to charge
18	USB Port	Used to connect with PC or for charging
19	Power key	Used to power on
20	Volume Button-	Used to reduce the volume
21	Volume Button+	Used for increase the volume

3. Basic Information

- Light sensor: automatically detect the ambient light intensity and adjust the screen brightness.
- Power button: in the off state, long press to turn on; short press once to turn off the screen and still accept calls.
- Volume button: adjust button.
- Menu key: you can view the applications running in the background.
- Home button: when an application is running, press this key to quickly return to the main page
- Power button + Volume-: shortly press at the same time to take a screenshot.
- Type C interface: it can be charged by connecting the charger through the data cable, and can be connected to the computer to transmit data, and supports OTG

function.

4. Basic functions

- 8" FHD IPS touch screen, 1920x1200 resolution, highlight screen 500nits
- Processor Qualcomm 6225 , CPU 8 core 2.4GHz, 8GB RAM +128GB Flash.
- Operating system AndroidTM 14.
- 1600W rear camera, 800W front camera, supports to take photo and video, rear camera has a flash light and supports flashlight function.
- Supports GPS+BeiDou+Glonass.
- Supports WIFI 802.11a/b/g/n/ac.
- Supports BT 5.0
- 3.8V/10000mAh removable battery.
- Dimension: 232*158*22mm.
- Weight: about 810g.

5、 Solutions for abnormal problems

1) The system prompts that the app cannot be installed

- Confirm whether it matches the system.
- Check the memory capacity and clean up properly.

2) Cannot receive SMS and phone calls

- Turn off incoming call and SMS blocking function.
- Restart or restore factory settings.

3) SIM card cannot be recognized

- Wipe the SIM card metal sheet with a rubber.
- Reinstall the SIM card.
- Replace with a new card.

4) Charging problem

- Confirm the connection status.
- The charging status will not be displayed when the amount is low. After charging for ten minutes, plug it in again.

! **Note**

- It is forbidden to disassemble the equipment to avoid damage to the equipment.
- Support standard Nano card. Cutting the card by yourself may damage the card, or even damage the device.

Android is a trademark of Google LLC.

This device complies with part 15 of the FCC Rules. Operation is subject to the following two conditions: (1) this device may not cause harmful interference, and (2) this device must accept any interference received, including interference that may cause undesired operation. Any changes or modifications not expressly approved by the party responsible for compliance could void the user's authority to operate the equipment. NOTE: This equipment has been tested and found to comply with the limits for a Class B digital device, pursuant to Part 15 of the FCC Rules. These limits are designed to provide reasonable protection against harmful interference in a residential installation. This equipment generates, uses and can radiate radio frequency energy and, if not installed and used in accordance with the instructions, may cause harmful interference to radio communications. However, there is no guarantee that interference will not occur in a particular installation.

If this equipment does cause harmful interference to radio or television reception, which can be determined by turning the equipment off and on, the user is encouraged to try to correct the interference by one or more of the following measures:

- Reorient or relocate the receiving antenna.
- Increase the separation between the equipment and receiver.
- Connect the equipment into an outlet on a circuit different from that to which the receiver is connected.
- Consult the dealer or an experienced radio/TV technician for help.

The device has been evaluated to meet general RF exposure requirement. The device can be used in portable exposure condition without restriction

Specific Absorption Rate (SAR) information:

This product meets the government's requirements for exposure to radio waves. The guidelines are based on standards that were developed by independent scientific organizations through periodic and thorough evaluation of scientific studies. The standards include a substantial safety margin designed to assure the safety of all persons regardless of age or health.

FCC RF Exposure Information and Statement The SAR limit of USA (FCC) is 1.6 W/kg averaged over one gram of tissue. Device type: S917V18 (FCC ID: 2ASDX-S917V18) was also tested against these values. The highest SAR value for accessories worn on the body and Hotspot is 1.23 W/kg, 1.23 W/kg. The device tested typical body wear operations with the back of the product 0cm from the body. To meet FCC RF exposure requirements, use accessories that maintain a separation distance of 0cm between the user's body and the back of the product. The use of belt clips, holsters and similar accessories should not contain metallic components in its assembly. The use of accessories that do not satisfy these requirements may not comply with FCC RF exposure requirements, and should be avoided. The antenna(s) used for this transmitter must not be co-located or operating in conjunction with any other antenna or transmitter.