

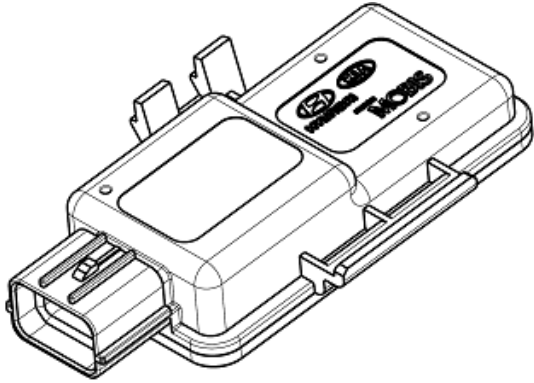
# **USER MANUAL**

**(Model Name : ASUWBM06)**

UNIT ASSY-ULTRA WIDEBAND

- Product overview/UWB Module

The device mounts on the vehicle and communicates with the keyfob (or supported smartphone) via UWB.

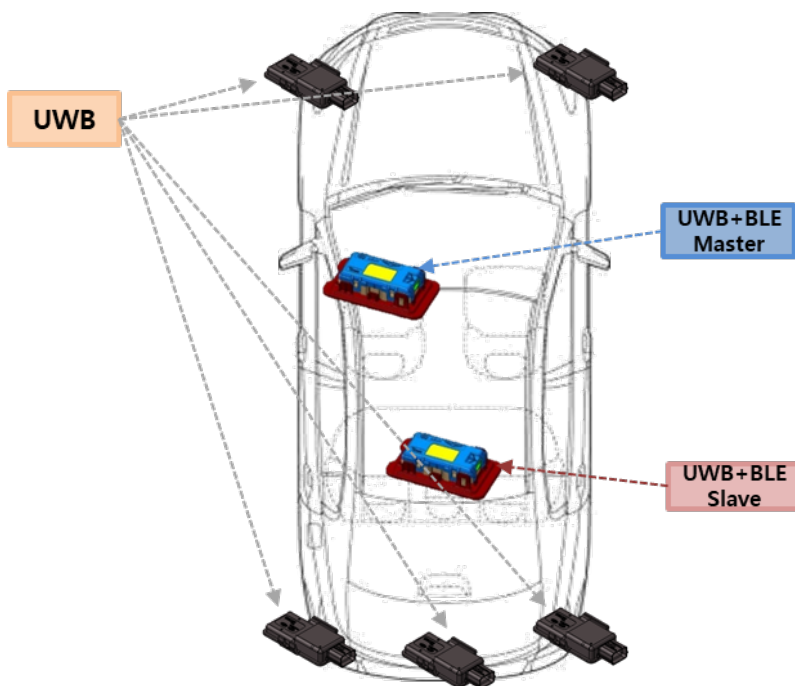


- HOW TO OPERATE

It is installed in the designated location of the vehicle and operates according to the designated CAN command.

- PRODUCT INSTALLATION LOCATION

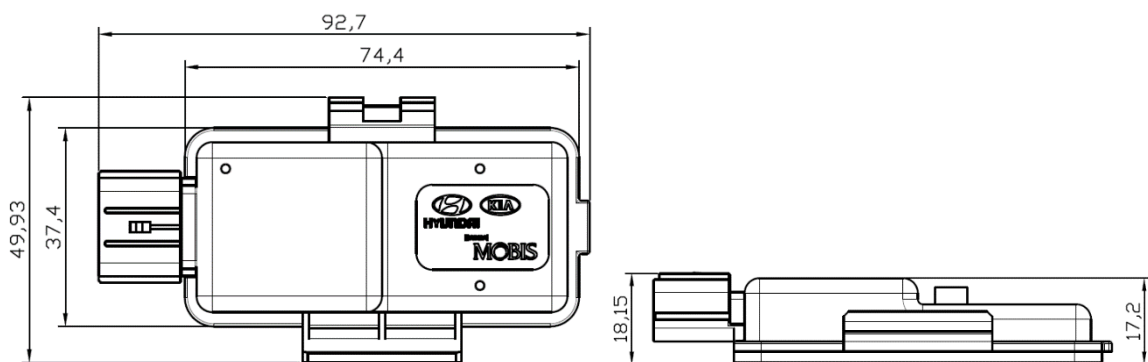
Bumper, Head lining, Trunk etc.



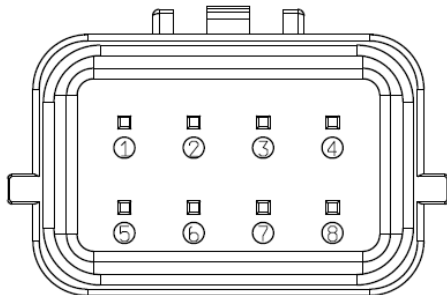
● SPECIFICATION

Standards	UWB(Ultra Wide Band) - CCC Digital Key Phase3 Specification - IEEE 802.15.4-2015 - IEEE 802.15.4z
UWB Ranging Distance	Max. 10m(LOS/Line of Sight conditions, between Devices)
Power voltage	12 V
Dimension(mm)	92.70 x 49.93 x 18.15

● Dimension



● PIN MAP



No.	PIN NAME
1	CAN_L
2	CAN_H
3	SUB_ID2
4	SUB_ID1
5	GND
6	GND
7	SUB_ID0
8	B+_POWER

- Electrical Characteristic

	Min	Typ.	Max	UNIT
Supply Voltage	9	12	16	V
Operating Temperature	-40	-	95	°C
Storage Temperature	-40	-	95	°C

- Product Specification

Name of company	AMONSENSE CO.,LTD.
Equipment / Model Name	UNIT ASSY-ULTRA WIDEBAND / ASUWBM06
Add Model	ASUWBM07, ASUWBM08
Identification Code	Amo
Year of manufacture	Separate mark
Manufacturer / Country	AMONSENSE CO.,LTD. / KOREA AMO VINA CO.,LTD. / Vietnam
RF Frequency	CH.5: 6.489 6 GHz CH.9: 7.987 2 GHz
Max POWER (E.I.R.P)	CH.5: -42.59 dBm/MHz CH.9: -43.36 dBm/MHz

\* Max Power(E.I.R.P) is EU measured power.

## FCC warning

This device complies with part 15 of the FCC Rules. Operation is subject to the following two conditions: (1) This device may not cause harmful interference, and (2) this device must accept any interference received, including interference that may cause undesired operation.

This equipment generates, uses and can radiate radio frequency energy and, if not installed and used in accordance with the instructions, may cause harmful interference to radio communications. However, there is no guarantee that interference will not occur in a particular installation. If this equipment does cause harmful interference to radio or television reception, which can be determined by turning the equipment off and on, the user is encouraged to try to correct the interference by one or more of the following measures:

- Reorient or relocate the receiving antenna.
- Increase the separation between the equipment and receiver.
- Connect the equipment into an outlet on a circuit different from that to which the receiver is connected.
- Consult the dealer or an experienced radio/TV technician for help.

Changes or modifications not expressly approved by the party responsible for compliance could void the user's authority to operate the equipment.

This device should be installed and operated with minimum 20 cm between the radiator and your body.

## IC Warning

This device contains licence-exempt transmitter(s)/receiver that comply with Innovation, Science and Economic Development Canada's licence-exempt RSS(s). Operation is subject to the following two conditions:(1) This device may not cause interference.(2) This device must accept any interference, including interference that may cause undesired operation of the device.

Cet appareil contient des émetteurs / récepteurs exempts de licence qui sont conformes aux RSS exempts de licence d'Innovation, Sciences et Développement économique Canada. Son fonctionnement est soumis aux deux conditions suivantes:(1) Cet appareil ne doit pas provoquer d'interférences.(2) Cet appareil doit accepter toute interférence, y compris les interférences qui peuvent provoquer un fonctionnement indésirable de l'appareil.

This equipment should be installed and operated with minimum 20 cm between the radiator and your body.

Cet appareil doit être installé et utilisé avec un minimum de 20 cm entre le radiateur et votre corps.

Trade Name : HYUNDAI MOBIS Co., Ltd.

Trade Mark : The logo for Hyundai Mobis, featuring the word "HYUNDAI" in blue capital letters above the word "MOBIS" in black capital letters. The letter "O" in "MOBIS" is stylized with a red circle around it.