

昆山睿翔讯通通信技术有限公司

Kunshan Innowave Communication Technology Co., Ltd.

承认书

(SPECIFICATION FOR APPROVAL)

客户: 杭州禾迈电力电子股份有限公司

Customer Name: Hoymiles Power Electronics Inc.

品名: 外置天线-HMS-400A

Item name: External Antenna-HMS-400A

频段860~930MHz, 阻抗50ohm, 增益-0.93dBimax, 外露线长 L=113mm, 线材RF1.13黑色线缆, 一代原厂IPEX端子- -40°C~85°C

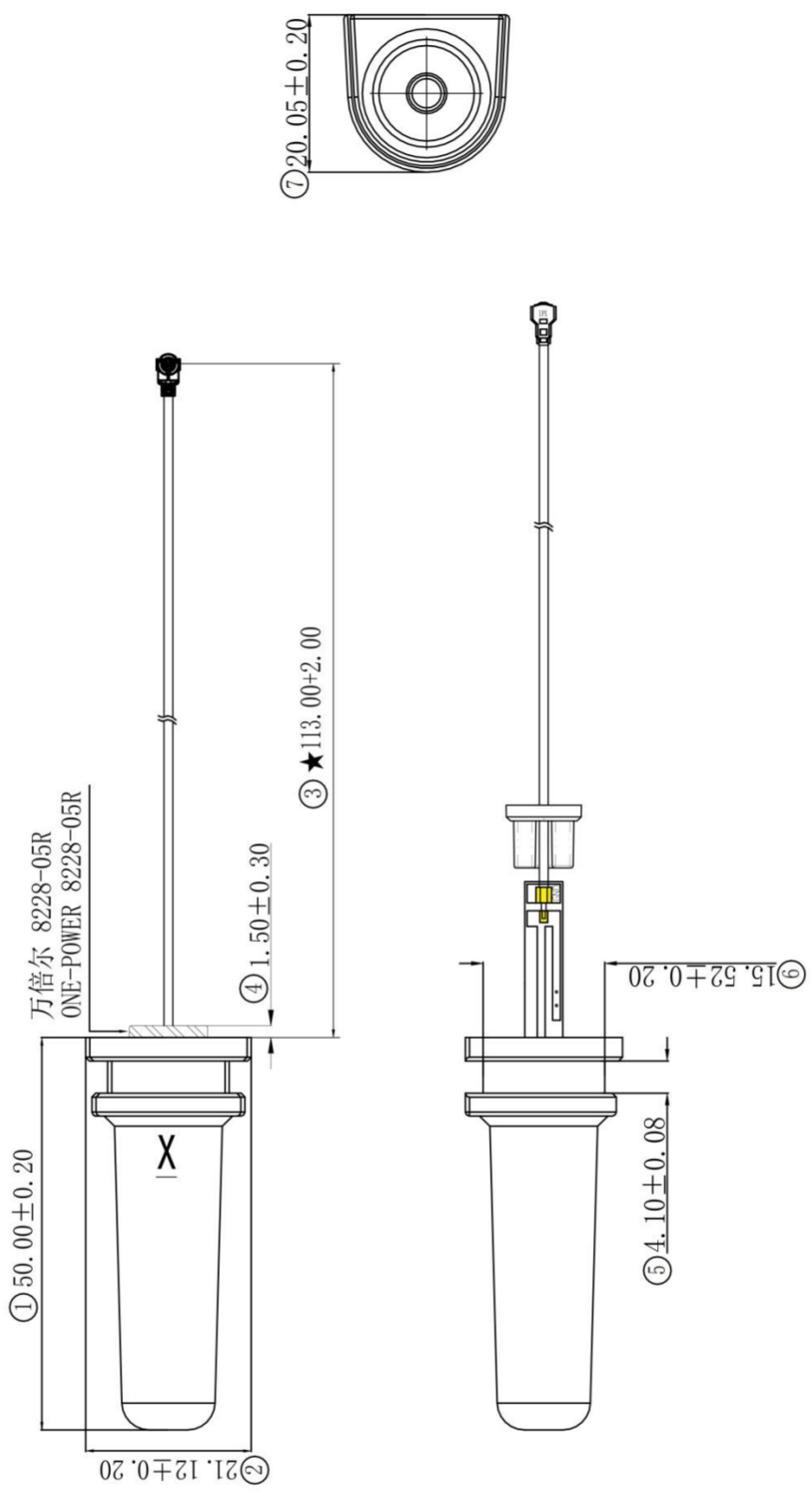
Frequency band 860~930MHz, impedance 50ohm, gain -0.93dBi max, exposed wire length L=113mm, cable RF1.13 black cable, first generation IPEX terminal -40°C~85°C

型号 (Vender Part No) : F062A9209110001

客户物料代码 (Customer Part No) : A6040390

承认版本号 (Revision) : A/1

日期 (Date) : 2024.11.22



电性能 (Electrical properties)

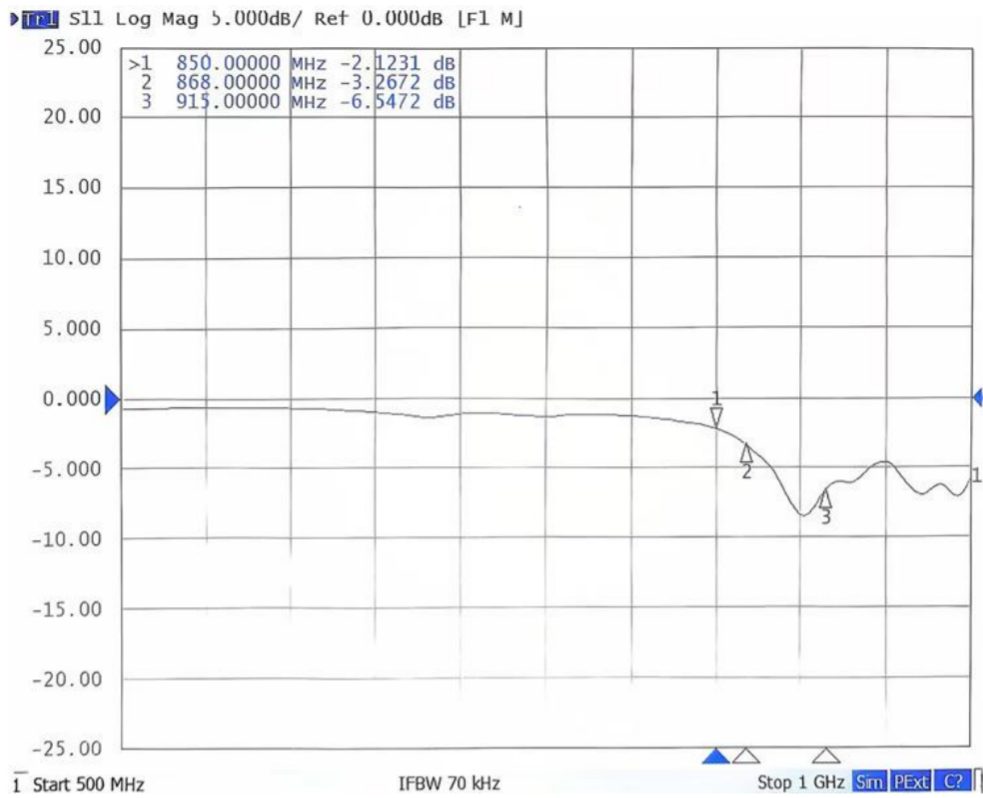
1.1 电性测试报告 (Electrical properties Reports)

Test Reports

Electrical Properties	
频段 (Frequency)	860MHz~930MHz
天线类型 (Antenna Type)	外置天线 (External Antenna)
回波损耗 (S11)	-3.27 (868MHz) ; -6.54 (915MHz)
增益 Gain (Max)	-0.93dBi
极化 (Polarization)	线性极化 (Linear, Vertical)

1.2 S参数 (S parameter) :

S11:



SWR:

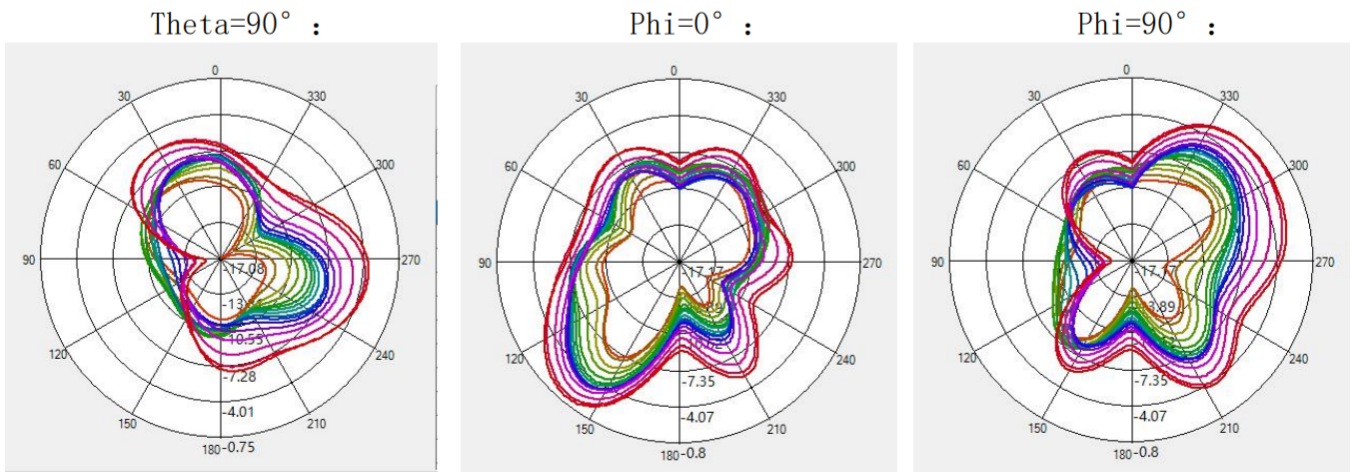


1.3 无源测试数据 (Passive test data) :

测试设备 (Test equipment) : GTS RayZone 1800

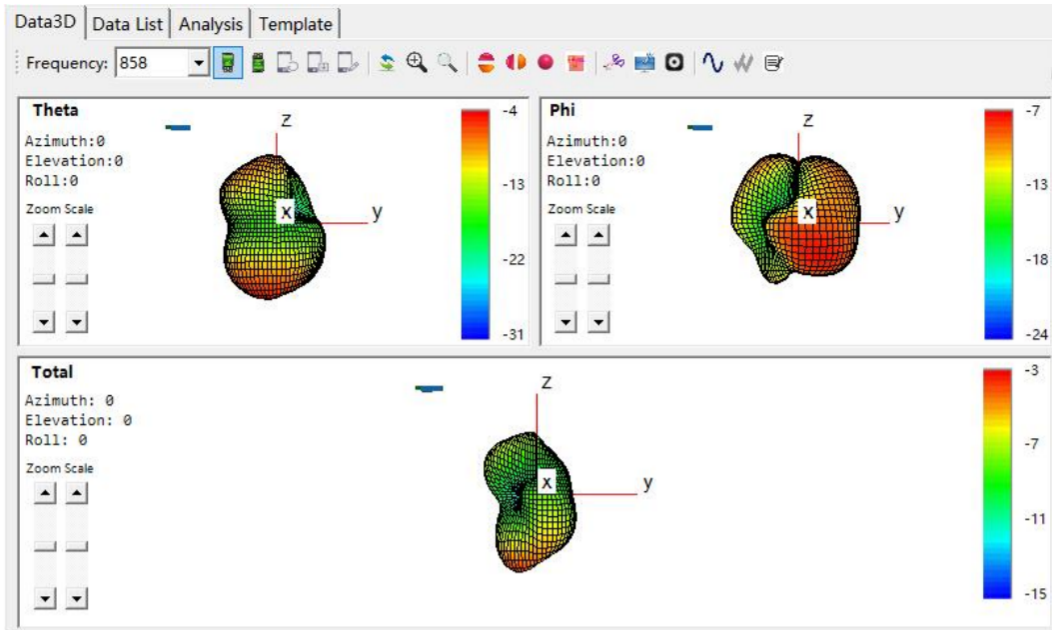
频率Frequency (MHz)	效率Efficiency (db)	效率Efficiency (%)	增益Gain (dBi)
808	-10.72	8.47	-6.9
818	-10.43	9.06	-6.36
828	-9.8	10.48	-5.43
838	-9.38	11.52	-4.84
848	-8.91	12.87	-4.18
858	-8.81	13.14	-3.76
868	-8.83	13.1	-3.56
878	-8.74	13.38	-3.35
888	-8.69	13.52	-3.37
898	-8.77	13.27	-3.39
908	-8.65	13.64	-3.41
918	-8.43	14.34	-3.23
928	-7.92	16.13	-2.78
938	-7.11	19.47	-2.01
948	-6.33	23.29	-1.29
958	-6.22	23.86	-0.93

1.4 2D图 (2D drawing) :

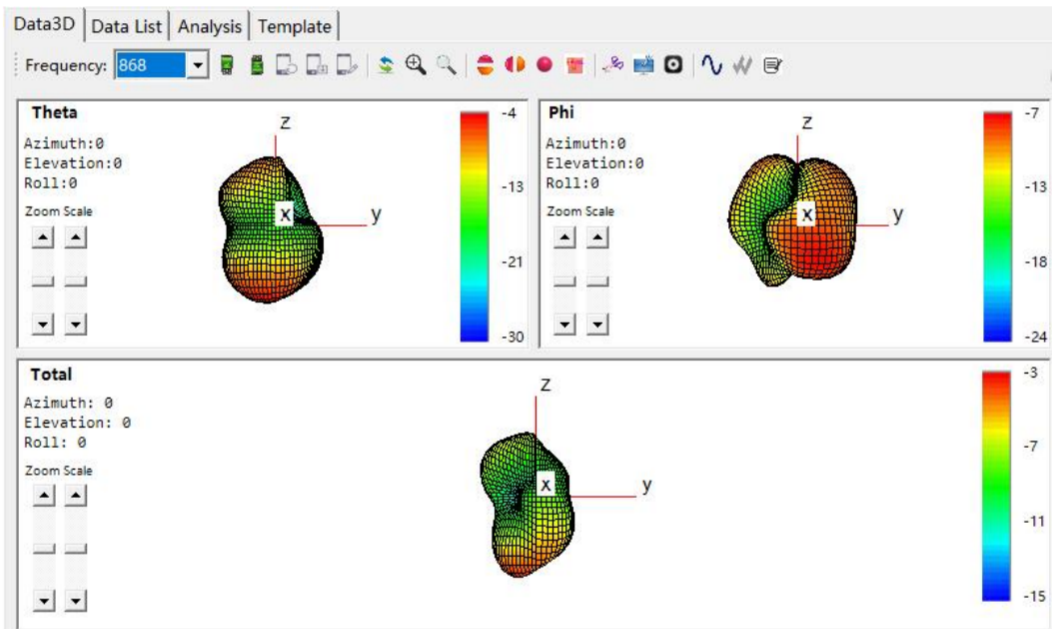


1.5 3D图 (3D drawing) :

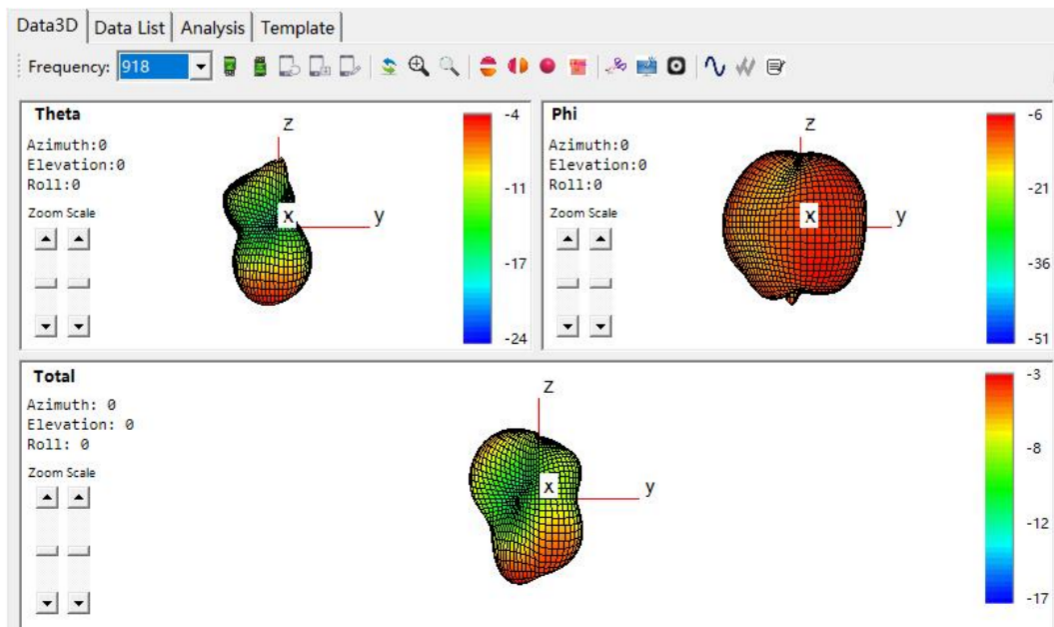
858MHz:



868MHz:



918MHz:



1.6 天线实物图 (Physical diagram of the antenna) :

