

Quick Installation Guide

WL8200-WH2

WALL AP

This quick installation guide describes the procedure of installing the WLAN AP of WL8200-WH2.

It includes the basic introduction, installation procedure, and the suggestion of initial configuration, etc. It provides the wireless hotspot service of WiFi for users.

This quick installation guide faces the engineers who need to install the product and deploy the network equipment. The engineers should comprehend the basic local area network knowledge and the wireless network and equipment knowledge.

Technical Support

Yunke China Information Technology Limited

Add: Digital Technology Plaza 3F, Shangdi nine street. 9th,
Haidian District, Beijing.

Postcode: 100085

Website: www.dcnetworks.com.cn

Service Tel: 400-810-9119

Service E-mail: dcn_support@digitalchina.com

Introduction to Interface

The panels of WL8200-VH2 are shown as below:



The explanation of the front panel is shown as below:

No.	Port/Button	Explanation
1	LAN1-LAN4	4 downlink Ethernet interfaces, which are connected to the Ethernet cable (RJ45 interface)

The explanation of the back panel is shown as below:

No.	Port/Button	Explanation
1	Uplink(POE)	Uplink Ethernet interface, which supports POE power. One of RJ45 interface and pressure line card can be selected.
2	Pass through	Pass through port, RJ45 interface.

The explanation of the side panel is shown as below:

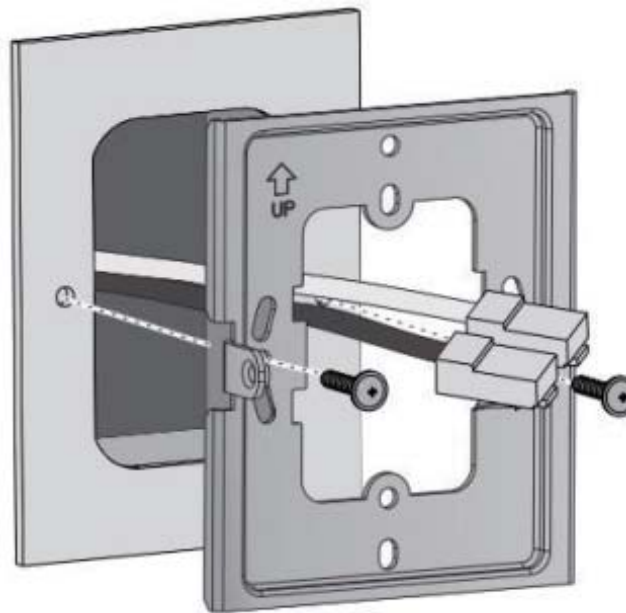
No.	Port/Button	Explanation
1	DC48V IN	Power interface, which is connected to the power adapter. (input 48V 0.22A DC).
2	Pass through	Pass through port, RJ45 interface.
3	RESET	Reset button for resetting the device.

Start to Install

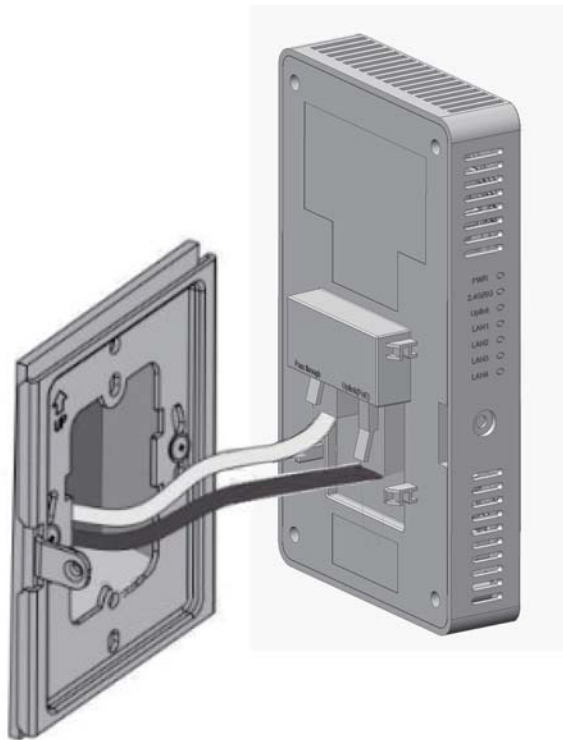
Wall installation

The wall installation method is used for WL8200-WH2 and the steps are shown as below:

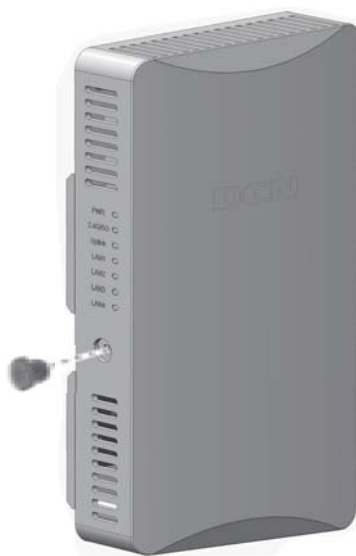
Step 1: Fix the mounting bracket and the cassette in the wall with the screws. Attention: the side of the bracket with a hook must be installed in left.



Step 2: Plug the uplink network cable in the WAN interface. If there is the need of pass through cable, it can also be plugged in the RJ45 interface of PASS THROUGH.



Step 3: Fix the chassis to the wall according to the corresponding position of the screws and the lugs, fixed AP with screws in AP left.





Enable AP

Supply power for AP

WL8200-WH2 supports POE or power adapter. These two methods can be used at the same time.

If the POE power is used, the POE switch should be used for power supporting. If the power adapter is used, user should buy the adapter.

The adapter specification is as below:

Items	Explanation
Adapter input	100-240V AC
Adapter output	+48V  0.22A 

Connect the AP


Step 1: This AP must work normally through the AC. Please reference the AC configuration manual for the configuration that the AP joins in the AC and accepts the AC management.

Step 2: The AP can connect to the PC through wireless or wired configuration. When the wired configuration is selected, one end of the network cable should be connected to the LAN interface of AP and the other end should be connected to the PC; when the wireless configuration is selected, user should find this AP in the wireless configuration of PC and connect to it.

Record the MAC Address of AP

The installation engineers need to record the MAC address of AP to the commissioning engineers for the remote AP configuration and management in construction.

The installation engineers need to tear out the MAC address label on AP to stick it in the following table and record the actual position of AP in collection.

No.	Device model	MAC address	Location of the device
1	WL8200-WH2		XX F in XX Building XX.

1. This device complies with part 15 of the FCC Rules. Operation is subject to the following two conditions:
 - (1) This device may not cause harmful interference, and
 - (2) this device must accept any interference received, including interference that may cause undesired operation.
2. Changes or modifications not expressly approved by the party responsible for compliance could void the user's authority to operate the equipment.
3. This equipment has been tested and found to comply with the limits for a Class B digital device, pursuant to part 15 of the FCC Rules. These limits are designed to provide reasonable protection against harmful interference in a residential installation. This equipment generates, uses and can radiate radio frequency energy and, if not installed and used in accordance with the instructions, may cause harmful interference to radio communications. However, there is no guarantee that interference will not occur in a particular installation. If this equipment does cause harmful interference to radio or television reception, which can be determined by turning the equipment off and on, the user is encouraged to try to correct the interference by one or more of the following measures:
 - Reorient or relocate the receiving antenna.
 - Increase the separation between the equipment and receiver.
 - Connect the equipment into an outlet on a circuit different from that to which the receiver is connected.
 - Consult the dealer or an experienced radio/TV technician for help.

The equipment complies with FCC radiation exposure limits set forth for an uncontrolled environment. The equipment should be installed and operated with minimum distance 20cm between the radiator & your body. And operations in the 5.15-5.25GHz band are restricted to indoor usage only.

DC YunKe Networks Co.,Ltd. hereby declares that this equipment is in compliance with the Directives 2014/53/EU, 2014/35/EU and 2014/30/EU

Use Restriction: This device is restricted to indoor use when operating in the 5150 to 5350 MHz frequency range in following countries:

BE	EL	LT	PT
BG	ES	LU	RO
CZ	FR	HU	SI
DK	HR	MT	SK
DE	IT	NL	FI
EE	CY	AT	SE
IE	LV	PL	UK

Belgium (BE), Greece (EL), Lithuania (LT), Portugal (PT), Bulgaria (BG), Spain (ES), Luxembourg (LU), Romania (RO), Czech Republic (CZ), France (FR), Hungary (HU), Slovenia (SI), Denmark (DK), Croatia (HR), Malta (MT), Slovakia (SK), Germany (DE), Italy (IT), Netherlands (NL), Finland (FI), Estonia (EE), Cyprus (CY), Austria (AT), Sweden (SE), Ireland (IE), Latvia (LV), Poland (PL) and United Kingdom (UK).

Radio Specification	IEEE802.11b/g/n/a/ac
Operation frequency	2412MHz-2472MHz, 5150MHz-5250MHz, 5725MHz-5850MHz
MaxTransmit Power	2412MHz-2472MHz : 20dBm 5150MHz-5250MHz: 23dBm 5725MHz-5850MHz: 14dBm
Receiver category	1