

W10 BT Antenna  
Specifications

W10 蓝牙天线  
规格书

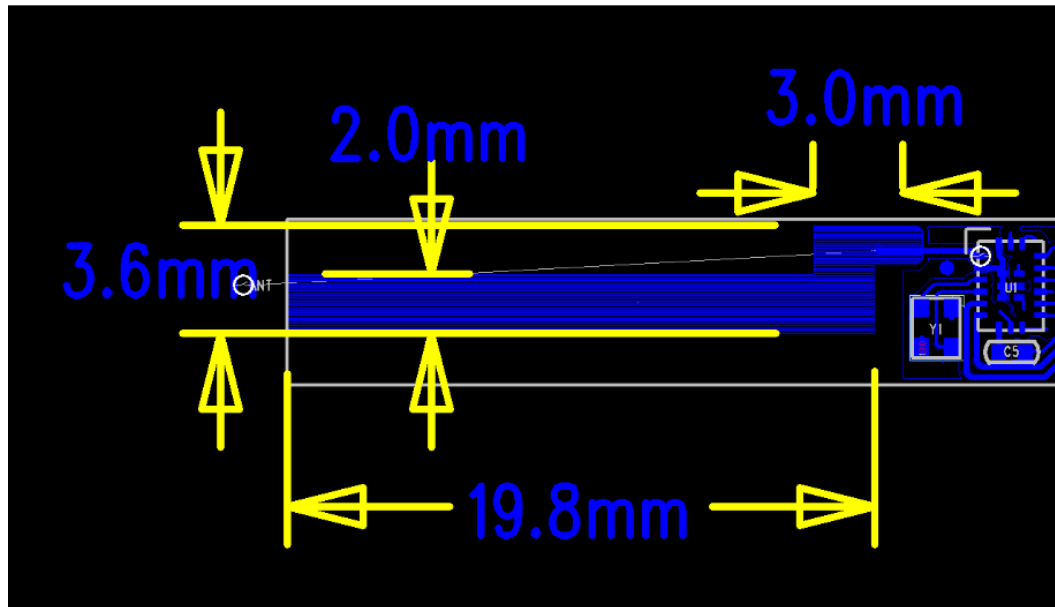
APPlication (型号)

※Bluetooth Home RF (蓝牙天线)

※ISM band 2.4GHz (频率 2.4GHz)

Applications (参数)

1. Dimension (尺寸)



## 2. Specifications (规格)

Number (序号)	Item (项目)	Specifications (规格)
1	Working central Frequency (工作频率)	2450 MHz
2	Band width (带宽)	(2410-2480)MHz
3	Gain (增益)	-1.68dbi -1.75dbi -2.15dbi
4	VSWR (驻波比)	≤ 3.0
5	Antenna type (天线材料)	FPC
6	Azimuth beam width (天线方向)	Omni-directional (全向性)
7	Impedance (阻抗)	50 R

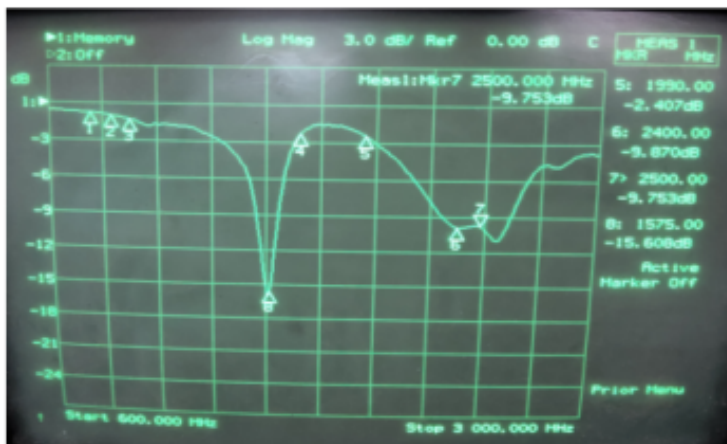
### 3. Antenna Information (天线信息)

- Antenna Type (天线材料): FPC (柔性板)  
Antenna (天线图)



### 4. Antenna Return Loss (天线回波损耗)

#### 4.1 Antenna S11 (天线 S11)

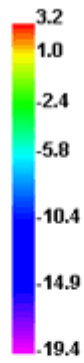
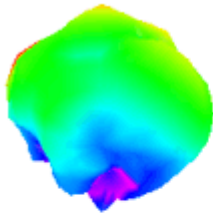


## 4.2 Antenna DATA (天线数据)

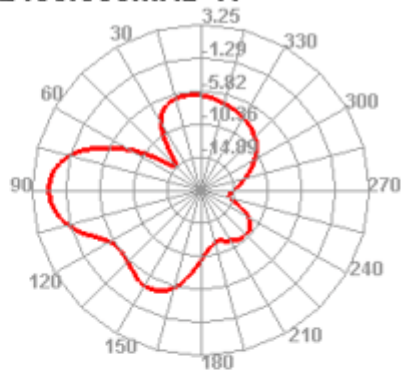
# 天线效率

Gain&Efficiency 增益和效率		
frequency 频率(Hz)	gain 增益(dB)	efficiency 效率
2400M	1.68	35.22%
2410M	1.70	36.92%
2420M	1.72	38.71%
2430M	1.73	38.98%
2440M	1.74	39.53%
2450M	1.75	40.11%
2460M	1.83	41.13%
2470M	1.96	42.33%
2480M	2.15	43.18%

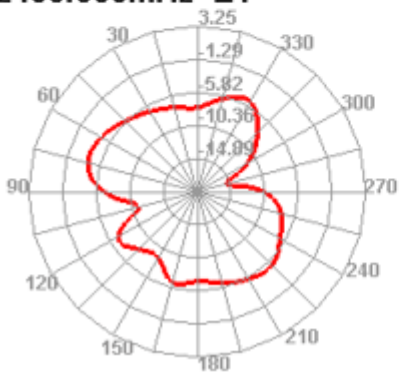
2450.000MHz



2450.000MHz H



2450.000MHz E1



2450.000MHz E2

