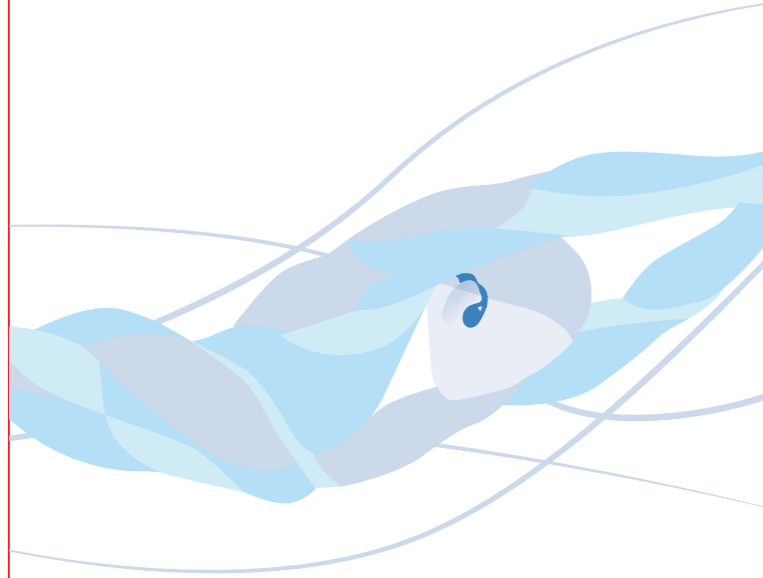


zygo

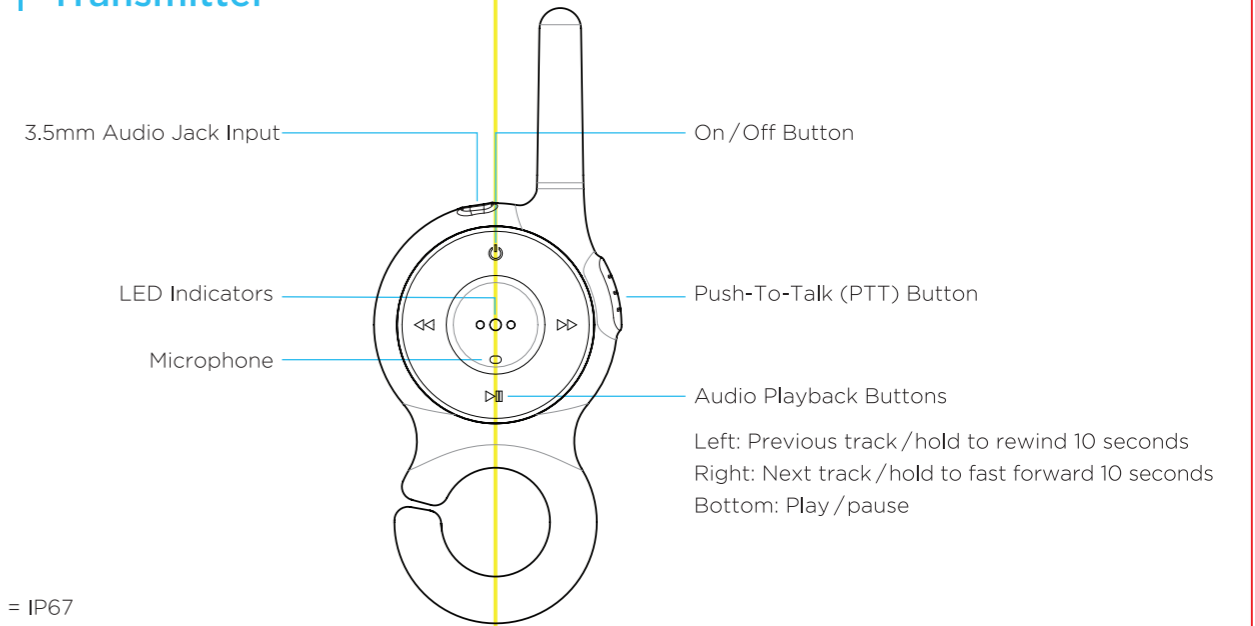
INSTRUCTION MANUAL




1 | Out of the Box



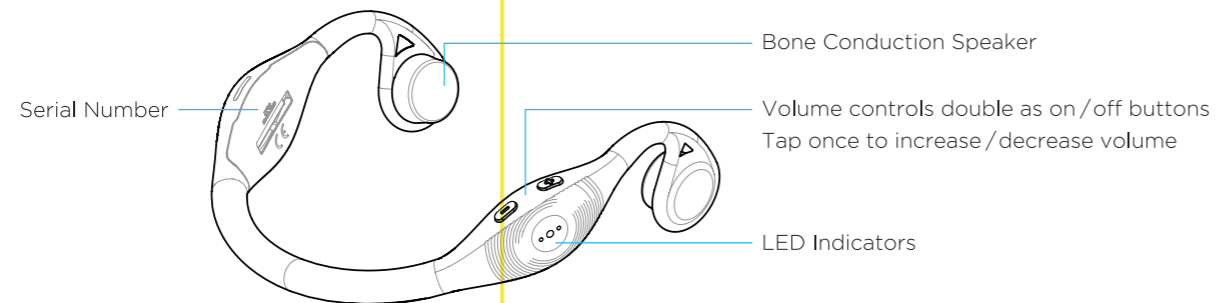
2 | Transmitter



Waterproof rating = IP67
Battery life = 8 hours

To turn on, hold the  button for 3 seconds. To turn off, hold it again for 3 seconds. Once on, it is automatically discoverable via Bluetooth.

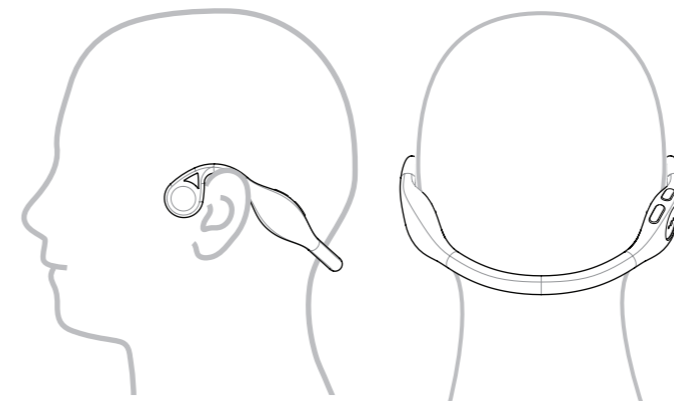
3 | Headset



Waterproof rating = IP68
Battery life = 4 hours

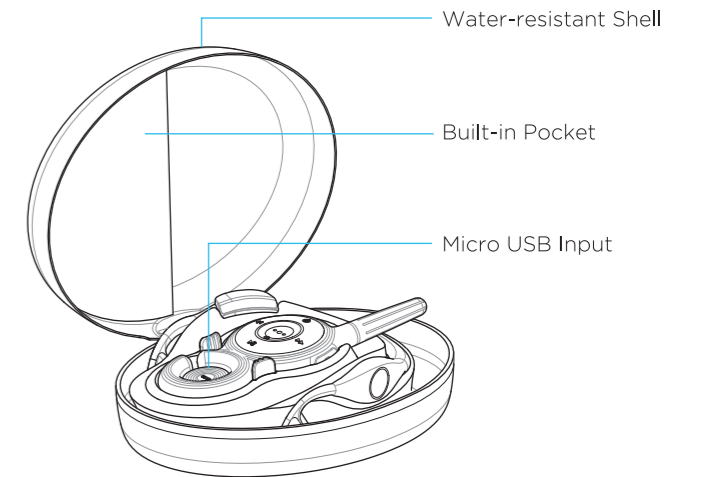
To turn on, hold the volume up button + for 3 seconds.
To turn off, hold the volume down button - for 3 seconds.

4 | Headset Fit



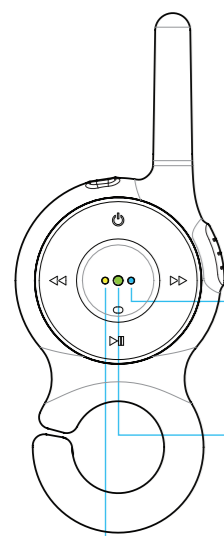
The band rests low against your head and slides over your ears like glasses. Ensure that the pads rest in front of your ears, not in them. They sit on your zygomatic arch.

5 | Charging Case

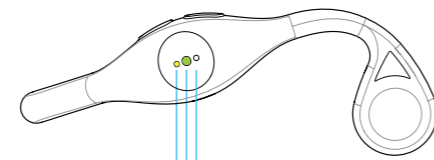


To charge the headset and transmitter, place them into their cradles and use the micro USB cable provided. A solid yellow light appears until fully charged. The case is splash-proof only and should not be submerged in water.

6 | Color Light Guide



- Solid blue** - Streaming audio from the connected device
- Blinking green** - Searching for available channel
- Solid green** - Ready to pair with headset(s)
- No green light** - Powered off
- Blinking yellow** - Less than 10% charge
- Solid yellow** - Charging
- No yellow light** - Fully charged or not attached to charger

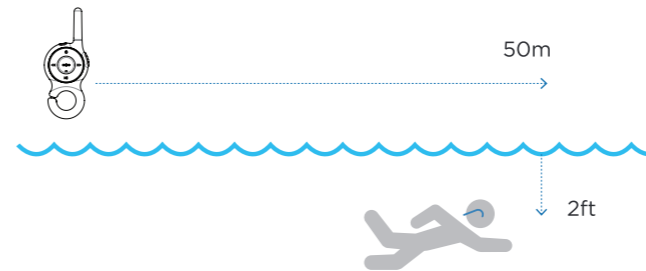


- Solid white** - Lost connection to transmitter*
- Blinking green** - Searching for transmitter
- Solid green** - Paired with transmitter
- No green light** - Powered off
- Blinking yellow** - Less than 10% charge
- Solid yellow** - Charging
- No yellow light** - Fully charged or not attached to charger

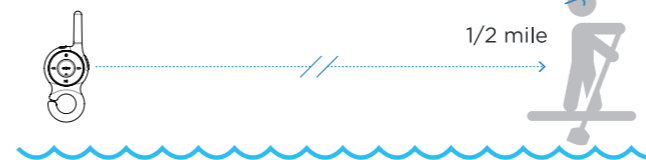
* The headset will attempt to regain connection within 5 minutes before automatically turning off.

7 | Range

Underwater



Above Water



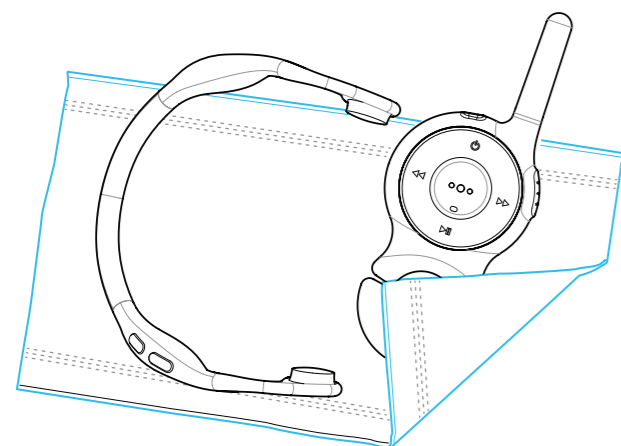
Note: The headset is waterproof deeper than 2 feet but will likely lose signal beyond that.

8 | Zygo App



Check out our app for guided workouts

9 | Care Tip



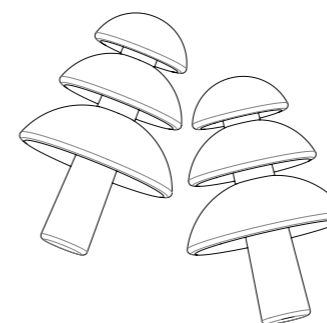
Rinse and dry before returning to the case.

10 | For Groups



One transmitter can pair with multiple headsets by turning them all on in close proximity to the transmitter. With the Deco (shown here), all 10 headsets charge in the case.

11 | Earplugs



Earplugs can improve audio performance by reducing the impact of ambient noise.

Let's Get Social

Join the Zygo community on Facebook and Instagram

  @zygogram

We're All Ears

For questions or feedback, email us on help@zygoco.com or visit www.shopzygo.com/pages/support