

TPMS REPEATER SYSTEM - 819108

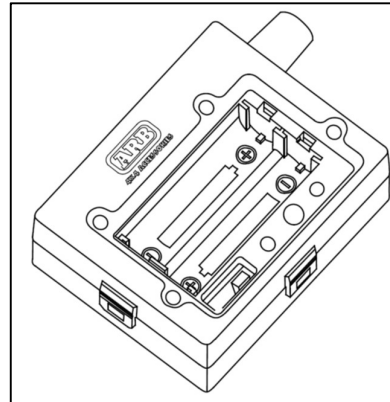
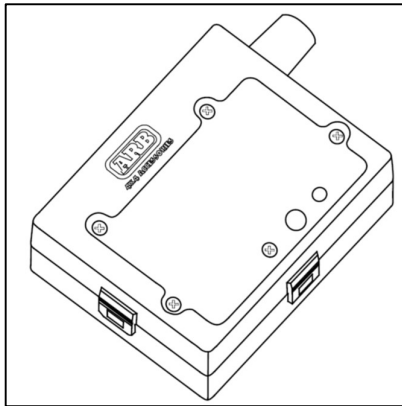
FITTING REPEATER

Repeater should be mounted to the A Frame of the trailer as close to the vehicle tow ball as possible using the hardware provided

POWERING THE REPEATER

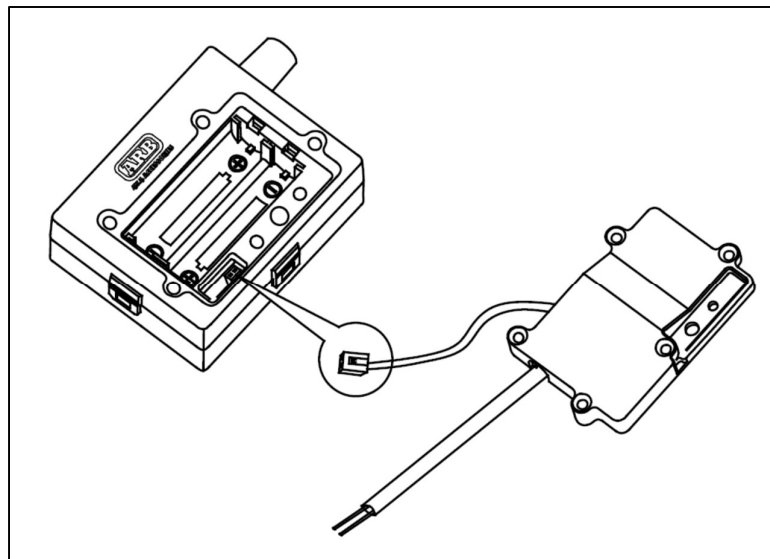
BATTERIES

- 1) Remove battery cover by removing the 5 screws on the top
- 2) Insert the AA batteries provided and re-fit the battery cover
- 3) Ensure the seal is seated correctly and not twisted when re-fitting screws.
- 4) Do not over tighten screws. (screws should be hand tightened only)



12V+ UPGRADE KIT - 819109

- 1) Remove battery cover by removing the 5 screws on the top
- 2) Plug 2 pin connector from upgrade kit into repeater as shown below

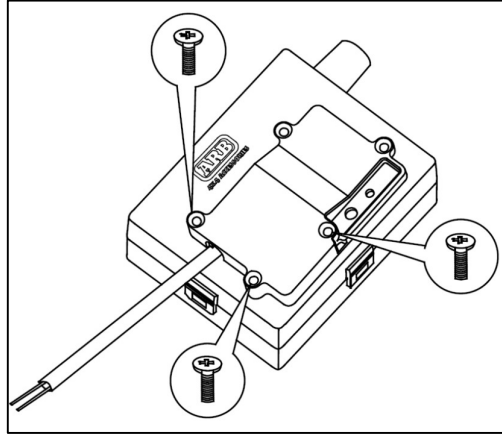


- 3) Refit 12V upgrade kit in place of battery cover
- 4) Using the 3 longer screws provided, screw upgrade kit into position as shown and use 2 of the previously removed screws in the remaining 2 holes



4X4 ACCESSORIES

- 5) Ensure the rubber seal is seated correctly and not twisted when re-fitting screws.
- 6) Do not over tighten screws
- 7) Wire up repeater to constant 12V power source with 5 AMP inline fuse (not included)
 - RED – 12V+
 - BLACK - EARTH

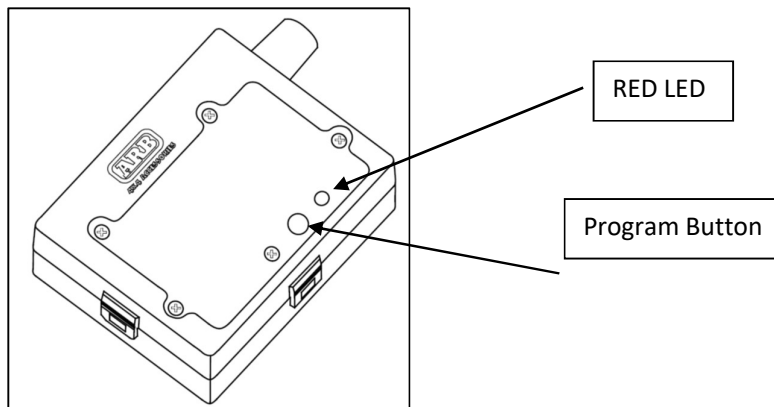


PROGRAMMING TRAILER

Sensors must first be learnt to Repeater

Its recommended to use 2 people for the next step or pair module before mounting

- 1) Knock or shake the unit to “wake” repeater
- 2) Using a pen or small blunt object, press and hold the “program” button on the repeater until the RED LED becomes solid
- 3) Activate any sensor by either using the LF tool for internal sensors or screwing in the external sensor into the tyre. RED LED will flash when tyre ID is learnt.
- 4) Repeat for remaining sensors. If trailer has 4 wheels, repeat same procedure for all tyres.
- 5) Once all tyres are learnt, press and hold the “program” button until the RED LED turns off



Programming Display

- 1) Press SET button 6 times, unit will beep once and enter Trailer program mode
- 2) Knock or shake the unit to “wake” repeater
- 3) Front left tyre will be flashing, activate corresponding sensor by either using LF tool for internal sensors or unscrewing and then re-screwing on external sensor. Unit will beep once when tyre ID is learnt
- 4) Press SET 1 time to save ID and change to next sensor
- 5) Repeat steps 3 and 4 for remaining tyres
- 6) Press and hold the SET button for 5 seconds after all tyre ID has been learnt to save and exit trailer mode