

GROUND

brilliant

Smart Dimmer Switch

LOAD

Input: 120VAC, 60Hz

Incandescent: 500W

CFL/LED: 200W

NEUTRAL

Designed In California

Assembled In USA

For Indoor Use Only

Home Automation Equipment

LINE

FCC ID: 2APQV-BHS120US

IC: 23875-BHS120US



Model BHS120US-AL1



S/N: XXXXXXXXXXXX



GROUND

brilliant

Smart Dimmer Switch

LOAD

Input: 120VAC, 60Hz

Incandescent: 500W

CFL/LED: 200W

NEUTRAL

Designed In California

Assembled In USA

For Indoor Use Only

Home Automation Equipment

LINE

FCC ID: 2APQV-BHS120US

IC: 23875-BHS120US



Model BHS120US-BK1



S/N: XXXXXXXXXXXX



GROUND

brilliant

Smart Dimmer Switch

LOAD

Input: 120VAC, 60Hz

Incandescent: 500W

CFL/LED: 200W

NEUTRAL

Designed In California

Assembled In USA

For Indoor Use Only

Home Automation Equipment

LINE

FCC ID: 2APQV-BHS120US

IC: 23875-BHS120US



Model BHS120US-CG1



S/N: XXXXXXXXXXXXX



GROUND

LOAD

NEUTRAL

LINE

brilliant

Smart Dimmer Switch

Input: 120VAC, 60Hz

Incandescent: 500W

CFL/LED: 200W

Designed In California

Assembled In USA

For Indoor Use Only

Home Automation Equipment

FCC ID: 2APQV-BHS120US

IC: 23875-BHS120US



Model BHS120US-WH1



S/N: XXXXXXXXXXXXX



4

3

2

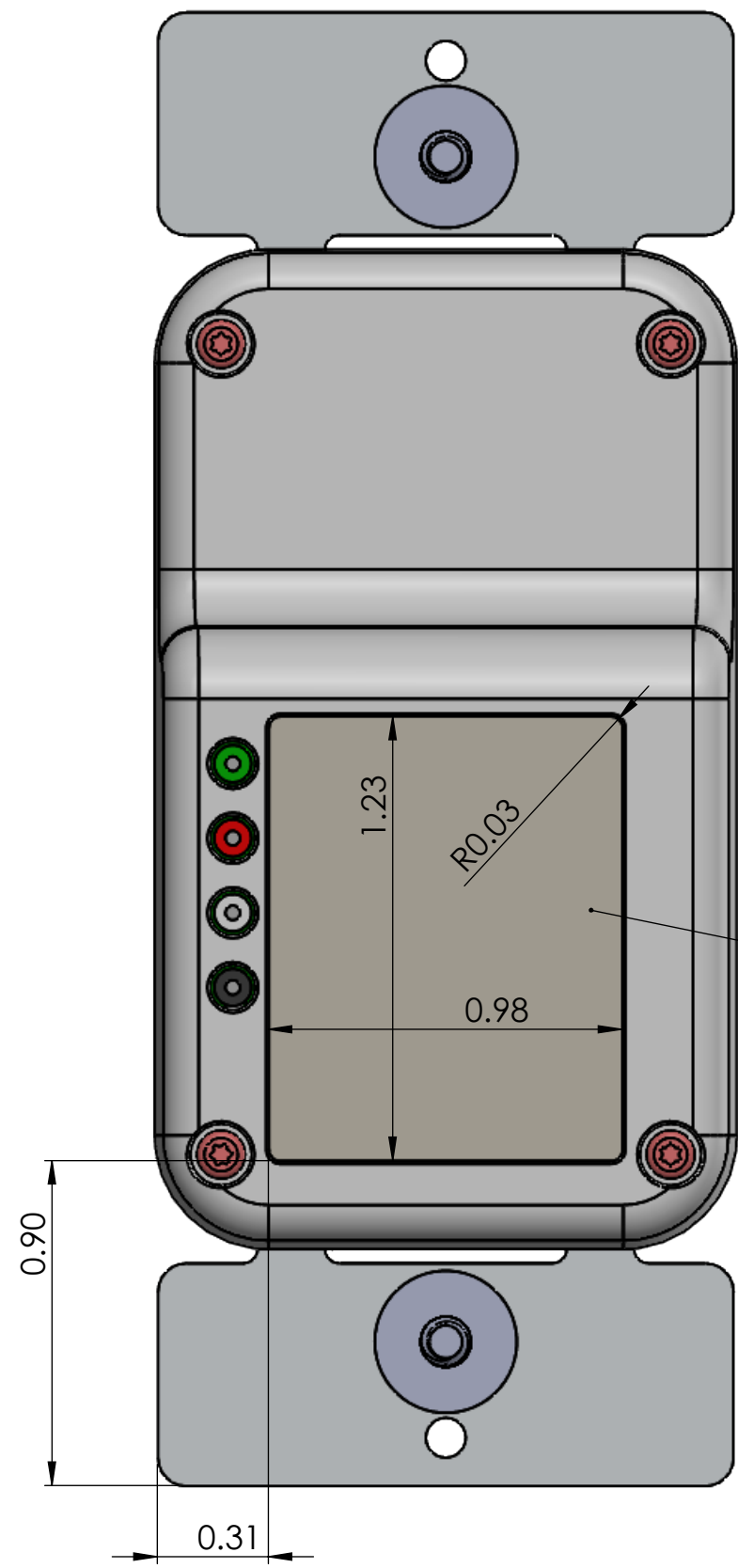
1

B

B

A

A



350-00017
LABEL, SWITCH

PROPRIETARY AND CONFIDENTIAL
THE INFORMATION CONTAINED IN THIS DRAWING IS THE SOLE PROPERTY OF BRILLIANT HOME TECHNOLOGY. ANY REPRODUCTION IN PART OR AS A WHOLE WITHOUT THE WRITTEN PERMISSION OF BRILLIANT HOME TECHNOLOGY IS PROHIBITED.

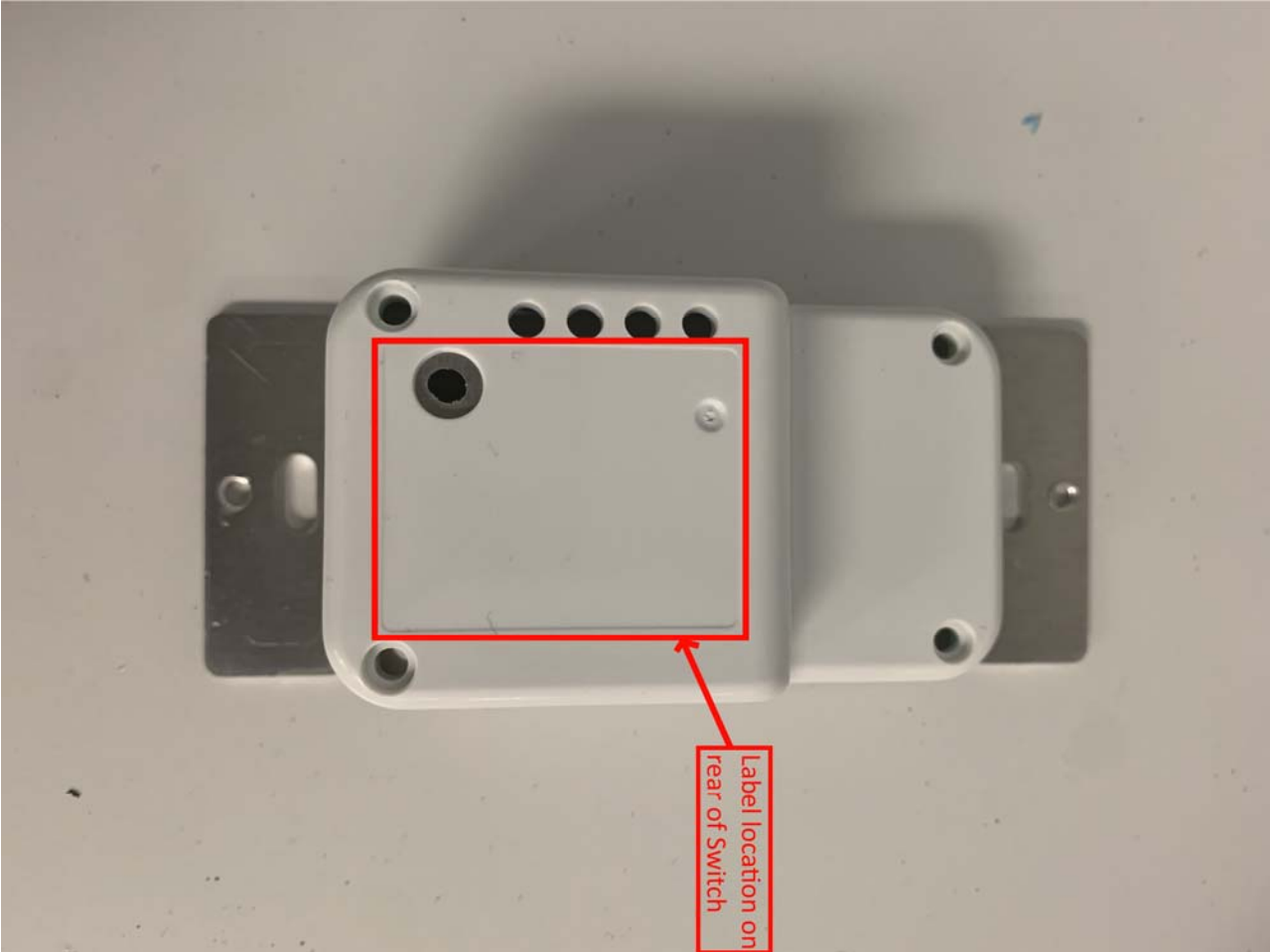
		UNLESS OTHERWISE SPECIFIED:		NAME	DATE
		DIMENSIONS ARE IN MM TOLERANCES: TWO PLACE DECIMAL ±0.10 THREE PLACE DECIMAL ±0.050		DRAWN	VZ 2020.03.13
		INTERPRET GEOMETRIC TOLERANCING PER: ASME Y14.5-2009		CHECKED	
		MATERIAL		ENG APPR.	
		FINISH		MFG APPR.	
NEXT ASSY	USED ON	SEE NOTES		Q.A.	
APPLICATION		DO NOT SCALE DRAWING		COMMENTS:	
<p>TITLE: ASM, SWITCH LABEL POSITION</p>					
SCALE: 1:5		WEIGHT:		SHEET 1 OF 1	

4

3

2

1



Label location on
rear of Switch