

ShaoXing Prolux Lighting Co., Ltd.

MPE ASSESSMENT REPORT

Report Type:

FCC MPE assessment report

Model:

PL-0170QI, PL-0170UQ

REPORT NUMBER:

190602340SHA-002

ISSUE DATE:

July 12, 2019

DOCUMENT CONTROL NUMBER:

TTRFFCCMPE-02_V1 © 2018 Intertek



Applicant : **ShaoXing Prolux Lighting Co., Ltd.**
Lu Dong Industrial Zone, Bai Guan District, Shangyu City, Zhejiang
312300, P.R. CHINA

Manufacturer : **ShaoXing Prolux Lighting Co., Ltd.**
Lu Dong Industrial Zone, Bai Guan District, Shangyu City, Zhejiang
312300, P.R. CHINA

Factory : **ShaoXing Prolux Lighting Co., Ltd.**
Lu Dong Industrial Zone, Bai Guan District, Shangyu City, Zhejiang
312300, P.R. CHINA

FCC ID : **2AP2V-DESKLAMP06**

SUMMARY:

The equipment complies with the requirements according to the following standard(s) or Specification:

FCC PART 1 SECTION 1.1310

PREPARED BY: **REVIEWED BY:**



Project Engineer
Eric Li



Reviewer
Daniel Zhao

This report is for the exclusive use of Intertek's Client and is provided pursuant to the agreement between Intertek and its Client. Intertek's responsibility and liability are limited to the terms and conditions of the agreement. Intertek assumes no liability to any party, other than to the Client in accordance with the agreement, for any loss, expense or damage occasioned by the use of this report. Only the Client is authorized to permit copying or distribution of this report and then only in its entirety. Any use of the Intertek name or one of its marks for the sale or advertisement of the tested material, product or service must first be approved in writing by Intertek. The observations and test results in this report are relevant only to the sample tested. This report by itself does not imply that the material, product, or service is or has ever been under an Intertek certification program.

Revision History

Report No.	Version	Description	Issued Date
190602340SHA-002	Rev. 01	Initial issue of report	July 23, 2019

Measurement result summary

TEST ITEM	FCC REFERANCE	TEST RESULT	NOTE
RF Exposure	1.1310	Pass	-

Notes: 1: NA =Not Applicable

2. Determination of the test conclusion is based on IEC Guide 115 in consideration of measurement uncertainty.

1 GENERAL INFORMATION

1.1 Description of Equipment Under Test (EUT)

Product name:	Infuse LED Desk Lamp with Wireless
Type/Model:	PL-0170QI, PL-0170UQ
Description of EUT:	EUT is a wireless charger LED Luminaire. There are two models. Both of them use the same wireless charging module, PL-0170UQ has USB output function. We test both of them and list the worst results in this report.
Rating:	<p>PL-0170QI: Adapter: RSS1006-156130-W2-B Input: 100-240V~ 50/60Hz 1.4A, Output: 13.0V DC 1.2A 3.2W (only Lamp, except other functions), Total max.10W</p> <p>PL-0170UQ: Adapter: RSS1006-234130-W2-B Input: 100-240V~ 50/60Hz 1.4A, Output: 13.0V DC 1.8A 3.2W (only Lamp, except other functions), USB: DC5V,2.1A Total max.23.5W</p>
Category of EUT:	Class B
EUT type:	<input checked="" type="checkbox"/> Table top <input type="checkbox"/> Floor standing
Software Version:	/
Hardware Version:	/
Sample received date:	July 4, 2019
Date of test:	July 5, 2019 ~ July 10, 2019

1.2 Technical Specification

Frequency Range:	110kHz – 205kHz
------------------	-----------------

1.3 Description of Test Facility

Name:	Intertek Testing Services Shanghai
Address:	Building 86, No. 1198 Qinzhou Road(North), Shanghai 200233, P.R. China
Telephone:	86 21 61278200
Telefax:	86 21 54262353

The test facility is recognized, certified, or accredited by these organizations:	CNAS Accreditation Lab Registration No. CNAS L0139
	FCC Accredited Lab Designation Number: CN1175
	IC Registration Lab Registration code No.: 2042B-1
	VCCI Registration Lab Registration No.: R-4243, G-845, C-4723, T-2252
	NVLAP Accreditation Lab NVLAP LAB CODE: 200849-0
	A2LA Accreditation Lab Certificate Number: 3309.02

2 TEST SPECIFICATIONS

2.1 Standards or specification

FCC PART 1 SECTION 1.1310
KDB 680106 D01 RF Exposure Wireless Charging App v03

2.2 Mode of operation during the test

Within this test report, EUT was tested under all modes and tested under its rating voltage and frequency. Other voltage and frequency are specified if used. The worst data was listed in the report.

2.3 Test peripherals list

Item No.	Name	Band and Model	Description
1	Wireless load	KjB/ZS3012	100% power level
2	Wireless load	KjB/ZS3012	50% power level
3	Wireless load	KjB/ZS3012	0% power level
4	USB load	RX21	Used for PL-0170UQ

2.4 Record of climatic conditions

Test Item	Temperature (°C)	Relative Humidity (%)	Pressure (kPa)
RF Exposure	24	53	101

TEST REPORT**2.5 Instrument list**

Used	Equipment	Manufacturer	Type	Internal no.	Due date
<input checked="" type="checkbox"/>	Exposure Level Tester	Narda	ELT-400	EC 2928	2019-08-15
<input checked="" type="checkbox"/>	Field sensor & Field meter	AR	FL17000	EC 5818-1	2020-05-21

3 RF Exposure Assessment

Test result: Pass

3.1 Assessment Limit

Reference: 47 CFR §1.1310, KDB 680106

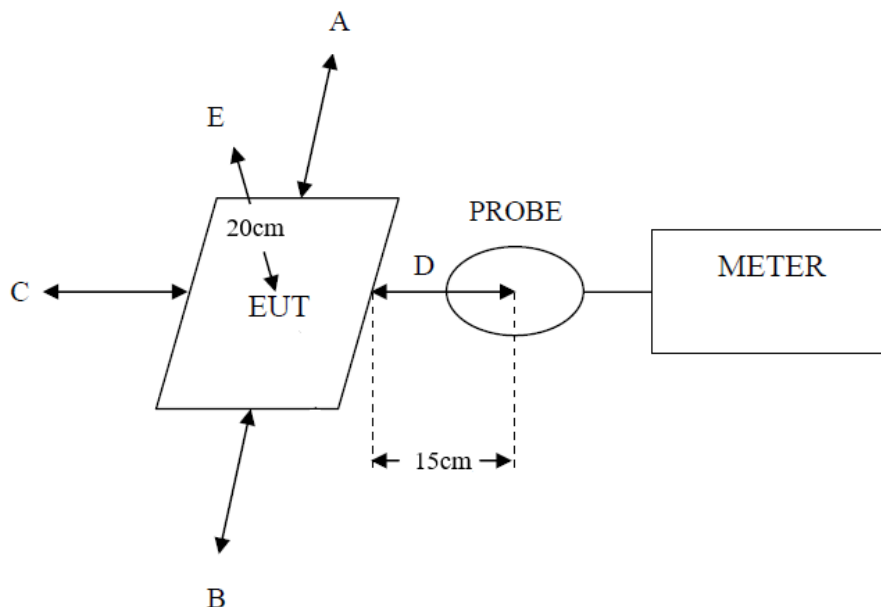
Limits for General Population/Uncontrolled Exposure

Frequency range [MHz]	Electric field strength [V/m]	Magnetic field strength [A/m]	Power density [mW/cm ²]	Averaging time [minutes]
0.1 – 0.3	614	1.63	*100	30
0.3 – 1.34	614	1.63	*100	30
1.34 – 30	824/f	2.19/f	*180/f ²	30
30 – 300	27.5	0.073	0.2	30
300 – 1 500	-	-	f/1500	30
1 500 – 100 000	-	-	1.0	30

Limits for Occupational/Controlled Exposure

Frequency range [MHz]	Electric field strength [V/m]	Magnetic field strength [A/m]	Power density [mW/cm ²]	Averaging time [minutes]
0.1 – 0.3	614	1.63	*100	6
0.3 – 3.0	614	1.63	*100	6
3.0 – 30	1842/f	4.89/f	*900/f ²	6
30 – 300	61.4	0.163	1.0	6
300 – 1 500	-	-	f/300	6
1 500 – 100 000	-	-	5	6

3.2 Assessment Configuration



3.3 Assessment Results

Test result of Magnetic Field Strength:

Test Position	Test distance (cm)	Test result (A/m)	Limit (A/m)	Result (Pass/Fail)
A: Right	15	0.048	1.63 *0.5	Pass
B: Left	15	0.050	1.63 *0.5	Pass
C: Front	15	0.052	1.63 *0.5	Pass
D: Back	15	0.046	1.63 *0.5	Pass
E: Top	20	0.041	1.63 *0.5	Pass

Test result of Electric Field Strength:

Test Position	Test distance (cm)	Test result (V/m)	Limit (V/m)	Result (Pass/Fail)
A: Right	15	0.51	614 *0.5	Pass
B: Left	15	0.48	614 *0.5	Pass
C: Front	15	0.51	614 *0.5	Pass
D: Back	15	0.49	614 *0.5	Pass
E: Top	20	0.43	614 *0.5	Pass

***** END *****