

B. Stacking UDX projectors

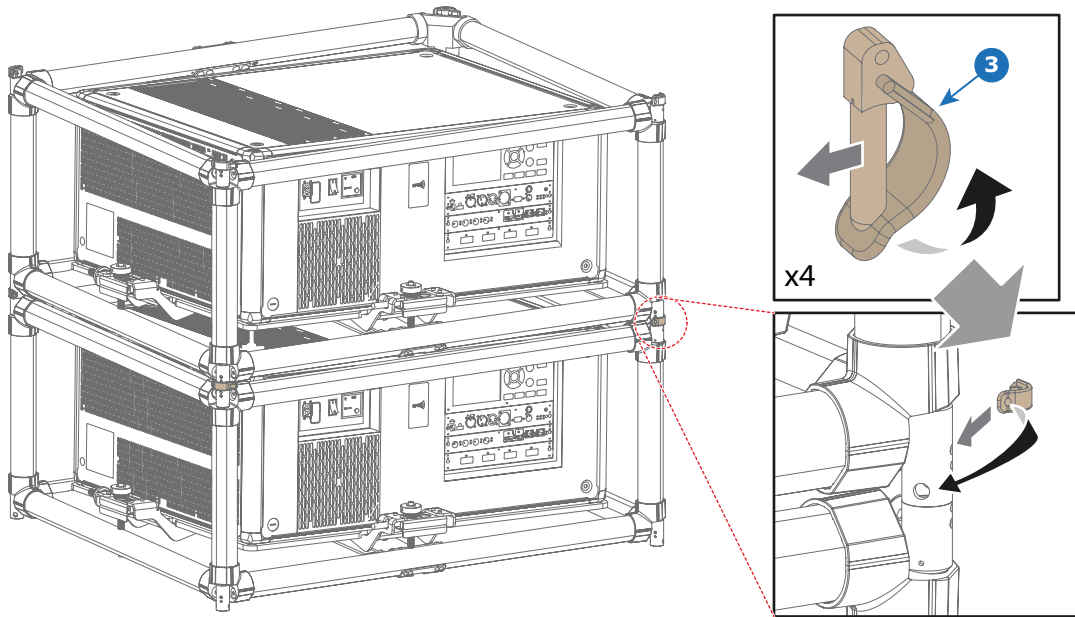


Image B-3

5. Repeat the previous step for each overlapping corner of all stacked rigging frames.



In long-term installations, it is advised to also install swivels between the two projectors in order to make it easier to access the metal air filter on the top of the projector.

GLOSSARY

Broadcast address

Projector will always execute the command coming from a RCU programmed with that broadcast address.

DMX

DMX-512 Lighting protocol over RS-485 interface. Carries information of 512 channels from a lighting controller to lighting devices. Standardized by USITT.

HD

Hazard Distance (HD) is the distance measured from the projection lens at which the intensity or the energy per surface unit becomes lower than the applicable exposure limit on the cornea or on the skin. The light beam is considered (to be) unsafe for exposure if the distance from a person to the light source is less than the HD.

Light processor unit

Heart of the projector, unit inside this projector which is responsible for the creation of the image to be projected on the screen. Also called 'engine'.

Projector address

Address installed in the projector to be individually controlled.

RS232

An Electronic Industries Association (EIA) serial digital interface standard specifying the characteristics of the communication path between two devices using either D-SUB 9 pins or D-SUB 25 pins connectors. This standard is used for relatively short-range communications and does not specify balanced control lines. RS-232 is a serial control standard with a set number of conductors, data rate, word length and type of connector to be used. The standard specifies component connection standards with regard to computer interface. It is also called RS-232-C, which is the third version of the RS-232 standard, and is functionally identical to the CCITT V.24 standard. Logical '0' is $> +3V$, Logical '1' is $< -3V$. The range between $-3V$ and $+3V$ is the transition zone.

RS422

An EIA serial digital interface standard that specifies the electrical characteristics of balanced (differential) voltage, digital interface circuits. This standard is usable over longer distances than RS-232. This signal governs the asynchronous transmission of computer data at speeds of up to 920,000 bits per second. It is also used as the serial port standard for Macintosh computers. When the difference between the 2 lines is $< -0.2V$ that equals with a logical '0'. When the difference is $> +0.2V$ that equals to a logical '1'.

Scheimpflug principle

The "plane of sharp focus" can be changed so that any plane can be brought into sharp focus. When the DMD plane and lens plane are parallel, the plane of sharp focus will also be parallel to these two planes. If, however, the lens plane is tilted with respect to the DMD plane, the plane of sharp focus will also be tilted according to geometrical and optical properties. The DMD plane, the principal lens plane and the sharp focus plane will intersect in a line below the projector for downward lens tilt.

INDEX

A

- Address 25
 - Program 25
 - RCU 25
- Air flow 21
- Air inlets 21
- Air outlets 21
- Alignment 30
 - Table mounted projector 30

B

- Back cover 80, 82
 - Mount 82
 - removal 80

C

- Cleaning 75
 - Exterior 75
 - Lens 75
- Communication 41, 53–54
 - DMX 53
 - Introduction 41
 - RS232 54
 - RS422 54
 - USB port 54
- Communication panel 53
- Compliance FCC 57
- Compliance IC 57
- Configurations 17
 - Front projection 17
 - Rear projection 17
- Connection 29
 - Power cable 29
 - Power net 29
- Cooling liquid circuit warning 5
- Cooling requirements 13

D

- Dimensions 91–92
 - Flight case 92
 - Projector 91
 - rigging frame 91
- DMX input 53
- DMX interface 53
- DMX out 53
- Download plug-in 21
- Download Projector Toolset 21
- Dust filter 77
 - Clean 77
 - Remove 77
- Dust filter, high density 76
 - Replace 76

E

- Enclosed projection 10
- Environment conditions 13
- Exterior 75
 - Cleaning 75

F

- Flight case 7, 16
 - Safety 7
- Front cover 79, 81
 - Mount 81
 - Removal 79
- Front projection 17

- Function 25
 - Button pressed indicator 25
- Fuses 29

G

- General 21
 - Download plug-in 21
 - Download Projector Toolset 21
- General considerations 3
- Getting started 65, 70
 - Projector address 70
 - Terminology overview 65
- Getting Started 65
- GSM module 57, 61
 - Installation 57, 61

H

- Hazard Distance 8, 10–11
 - Modifying optics 11
- Hazardous Chemicals 7
- High Brightness precautions 8
- Horizontal tilt range 20
- How to use 69
 - RCU 69
 - Remote control 69

I

- Initial inspection 16
 - Box content 16
- Input 41, 44, 48, 51
 - Introduction 41
 - Source 44, 48, 51
- Input & Communication 57–58, 61
 - GSM module 57, 61
 - Installation 57, 61
 - WiFi module 57–58
 - Installation 57–58
- Input & communication unit 41, 43
 - Communication board 41, 43
 - Installation 43
 - Removal 41
 - Input board 41, 43
 - Installation 43
 - Removal 41
- Installation 16, 33
 - Lens 33
 - Projector configurations 16
- Installation preparations 13
- Installation requirements 13–14
 - Clean air 14
 - Environment conditions 13
 - Power requirements 14
 - Projector weight 14

L

- Left cover 79, 82
 - Mount 82
 - Remove 79
- Lens 31, 33, 35–36, 75
 - Available 31
 - Cleaning 75
 - Installation 33
 - Removal 35
 - Scheimpflug 36
- Lens installation 33
- Lens removal 35
- Lens selection 32

- Lenses 31–32
 - Lens selection 32
- Local keypad 65
 - Functionality overview 65

M

- Maintenance 75
- Mechanical check 16
- mini-jack 26
 - RCU 26
- Mount 81–82
 - back cover 82
 - Front cover 81
 - Left cover 82
 - small top cover 82

N

- Notice on optical radiation 4
 - Optical radiation 4
- Notice on safety 4

O

- Off axis 19
- On axis 19
- Orientations 17
 - Front projection 17
 - Rear projection 17

P

- Physical Installation 29
- Positioning 19
- Power cable 29
 - Connection 29
- power net 29
 - Connection 29
- Power off 68
- Power on 66
- Power requirements 14
- Prevent 4
 - Electrical shock 4
- Product safety labels 7
- Projector 19
 - Positioning 19
 - Shift range 19
- Projector address 70
 - Controlling 70
- Projector configurations 16–17
 - Front projection 17
 - Rear projection 17
- Projector covers 79
- Projector weight 14
- Pulse RCU 23

Q

- Quick setup 71

R

- RCU 23–26, 65, 69
 - Address 25
 - Battery 23
 - Installation 23
 - Functionality overview 65
 - How to use 69
 - mini-jack 26
 - Protocol setup 24
 - Sleeve 26
 - XLR 25
- RCU on/off 24

- Rear projection 10, 17
- Remote control 69
 - How to use 69
- Removal 35, 79–80
 - back cover 80
 - Front cover 79
 - Lens 35
- Remove 77, 79–80
 - Dust filter 77
 - Left cover 79
 - Small top cover 80
- Replace 76
 - Dust filter, high density 76
- RS232 54
- RS422 54

S

- Safety 3–8, 10
 - Battery explosion 6
 - Cooling liquid circuit 5
 - Electrical shock 4
 - Fire hazard 6
 - Hazard Distance 8, 10
 - Hazardous Chemicals 7
 - Important instructions 4
 - Personal injury 5
 - Projector damage 6
 - Safety Data Sheet (SDS) 7
 - Service 7
- Safety Data Sheet (SDS) 7
- Scheimpflug 36
- Scheimpflug's law 36
- Serial communication 54
- Shift range 19
- Sleeve 26
 - RCU 26
- Small top cover 80, 82
 - Mount 82
 - Remove 80
- Software update 72
- Source 44, 48, 51
 - Input 44, 48, 51
- Specifications 85–89
 - UDX 4K22 86
 - UDX 4K32 85
 - UDX U32 89
 - UDX W22 88
 - UDX W32 87
- Stacking 93
- Standby 68
 - Switch to 68
- Status Light 55
- Switching off 68
- Switching on 66
- Switching to standby 68

T

- Table mounted projector 30
 - Alignment 30
- Technical Regulations 92
- Tilt range 20
 - Horizontal 20
 - Vertical 20

U

- Unpacking 14
- USB port 54
- User definition 4

V

- Vertical tilt range 20

W

Warnings 5
Cooling liquid circuit 5
WiFi module 57–58
Installation 57–58

X

XLR 25
RCU 25