

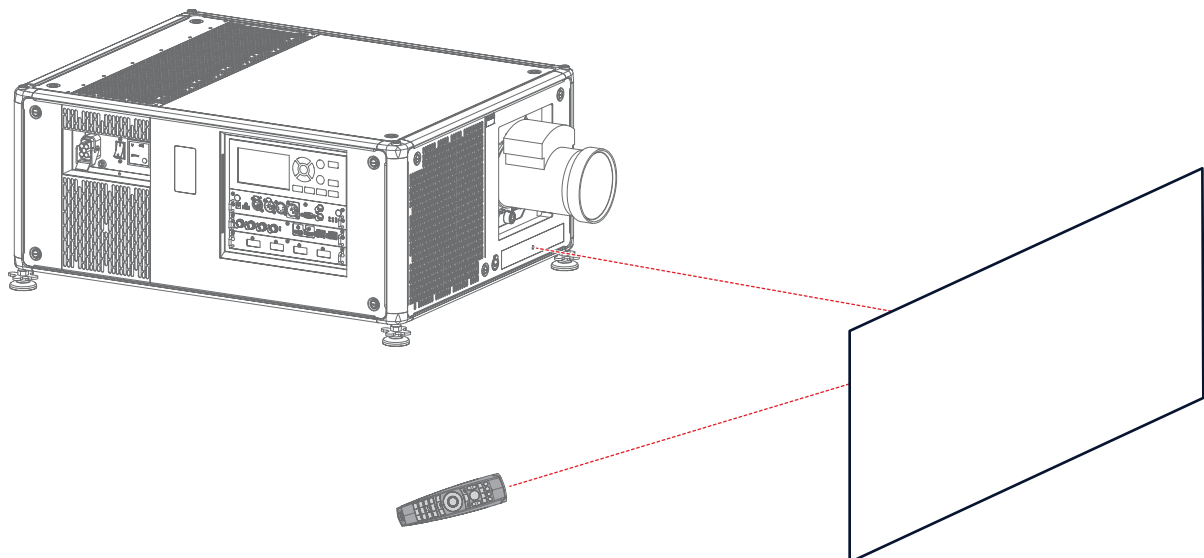
Image 8-5

2. Unplug the power cord from the projector.

8.5 Using the RCU

Pointing to the reflective screen

1. Point the front of the RCU to the reflective screen surface.

Image 8-6
IR control via reflective screen

Hardwired to the XLR input

1. Plug one end of the remote cable in the connector on the bottom of the RCU.
2. Plug the other end in the big connector on the communication interface of the projector, labelled **Remote CTRL**.
Note: *Plugging the remote control will switch the broadcast address of the remote control to the default value '0'. This is the only broadcast address that will work when hardwired. If you want to change the broadcast address after disconnecting the remote control, see "Projector Address", page 70.*

Pointing directly to the IR sensor

When using the wireless remote control, make sure you are within the effective operating distance (30 m, 100 ft in a straight line). The remote control unit will not function properly if strong light strikes the sensor window or if there are obstacles between the remote control unit and the projector IR sensor.

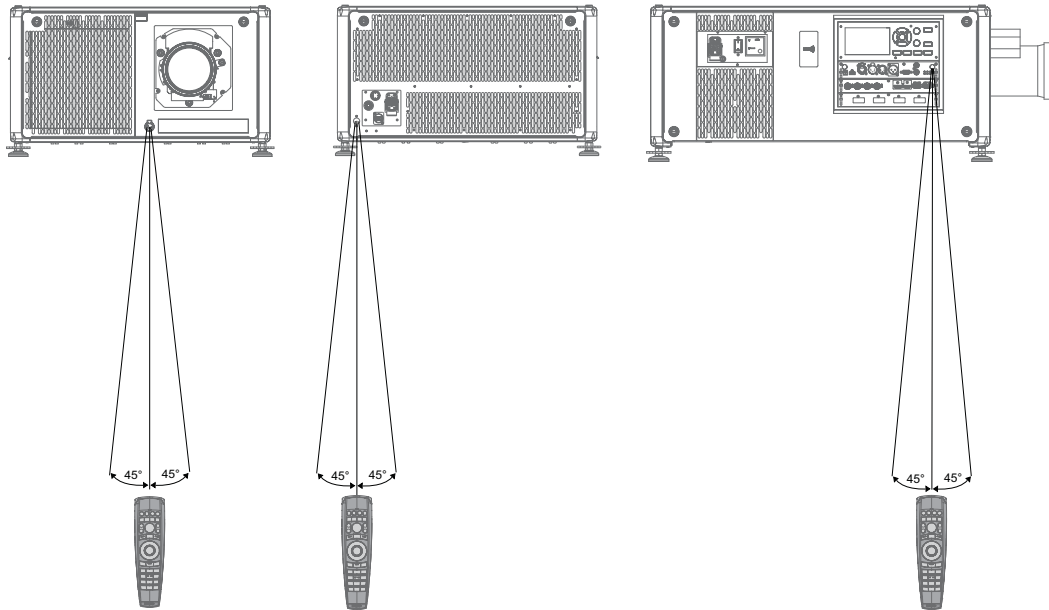


Image 8-7
RCU to one of the IR sensors

Using the RCU in combination with a 3D emitter

When using a 3D emitter that radiates IR beams (e.g. the optional 3D emitter that Barco provides), the IR beams of the 3D emitter may interfere with the IR communication between projector and the RCU.

If such interference occurs, connect the RCU to the projector using the remote cable with XLR connector. It is also advised to turn the IR receivers of the projector off to avoid the 3D emitter interference. The IR receivers can be turned off in the GUI: *System Settings* → *Communication* → *IR Control*.

8.6 Projector Address

- Projector address**
Address installed in the projector to be individually controlled.
- Broadcast address**
Projector will always execute the command coming from a RCU programmed with that broadcast address.

8.6.1 Controlling the projector

Why a projector address?

As more than one projector can be installed in a room, each projector should be separately addressable with an RCU or computer. Therefore each projector has its own address.

Set up an individual Projector Address

The set up of a projector address can be done via the software.

Projector controlling

When the address is set, the projector can be controlled now:

- with the RCU: only for addresses between 1 and 31.

Broadcast Address

Every projector has a broadcast (common) address '0' or '1'. The default address is '0'.

The choice between '0' and '1' can be selected in the GUI: *System Settings* → *Communication* → *IR Control*.



Placing new batteries in the remote control or plugging the remote to a projector via a cable will automatically reset the address back to its default value '0'.

8.7 Quick setup via Direct access

Quick source selection

1. Press the **Input** button on the remote control or local keypad.

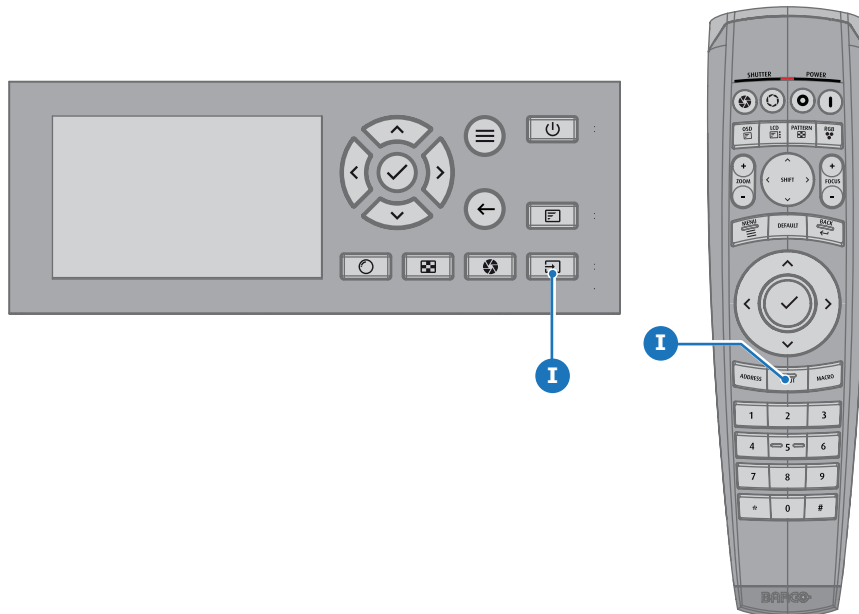


Image 8-8

The source selection menu opens.

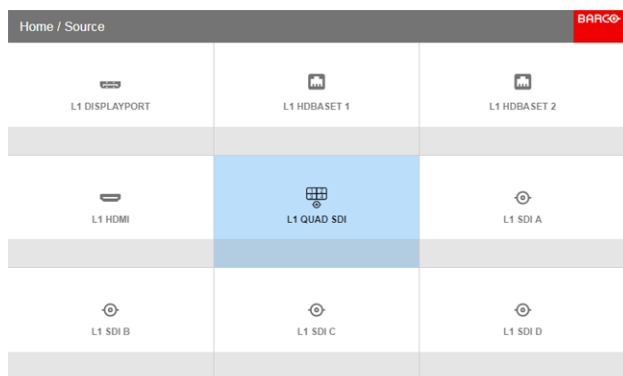


Image 8-9
Input selection

2. Use the arrow keys to select the desired source.

Quick test pattern selection

1. Press the Test pattern button on the remote control or local keypad.

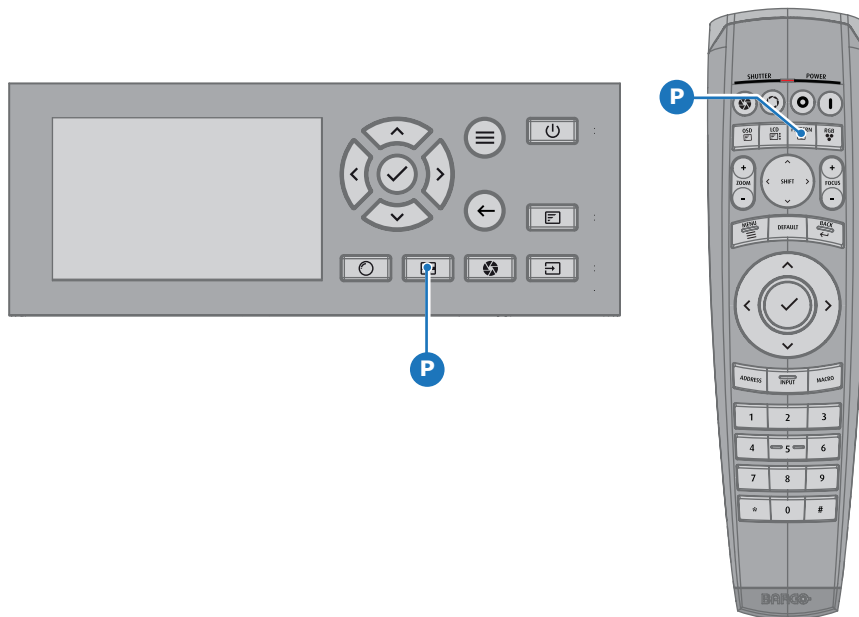


Image 8-10

- A first test pattern will be displayed.
- Press as many times on that button until the desired pattern is displayed

8.8 Software update



CAUTION: Make sure not to power off or unplug the projector while the software update is going on.

How to update the software

- Power on the projector. Wait until the **Power on/off** button is lit white or blue.
- Download and install the latest version of Projector Toolset for Pulse. The program can be downloaded for free from Barco's website, (URL: <http://www.barco.com>). Click on *myBarco* and login to get access to secured information. Registration is necessary. If you are not yet registered, click on *New to myBarco* and follow the instructions. With the created login and password, it is possible to login where you can download the software.
- Download the latest firmware (format .fw) from Barco's website in the same way as for Projector Toolset.
- Start Toolset and make a connection with the projector. For more information, see the Projector Toolset user guide.
- Select tab **Update settings**.
- Fill out the path to the update file (1)

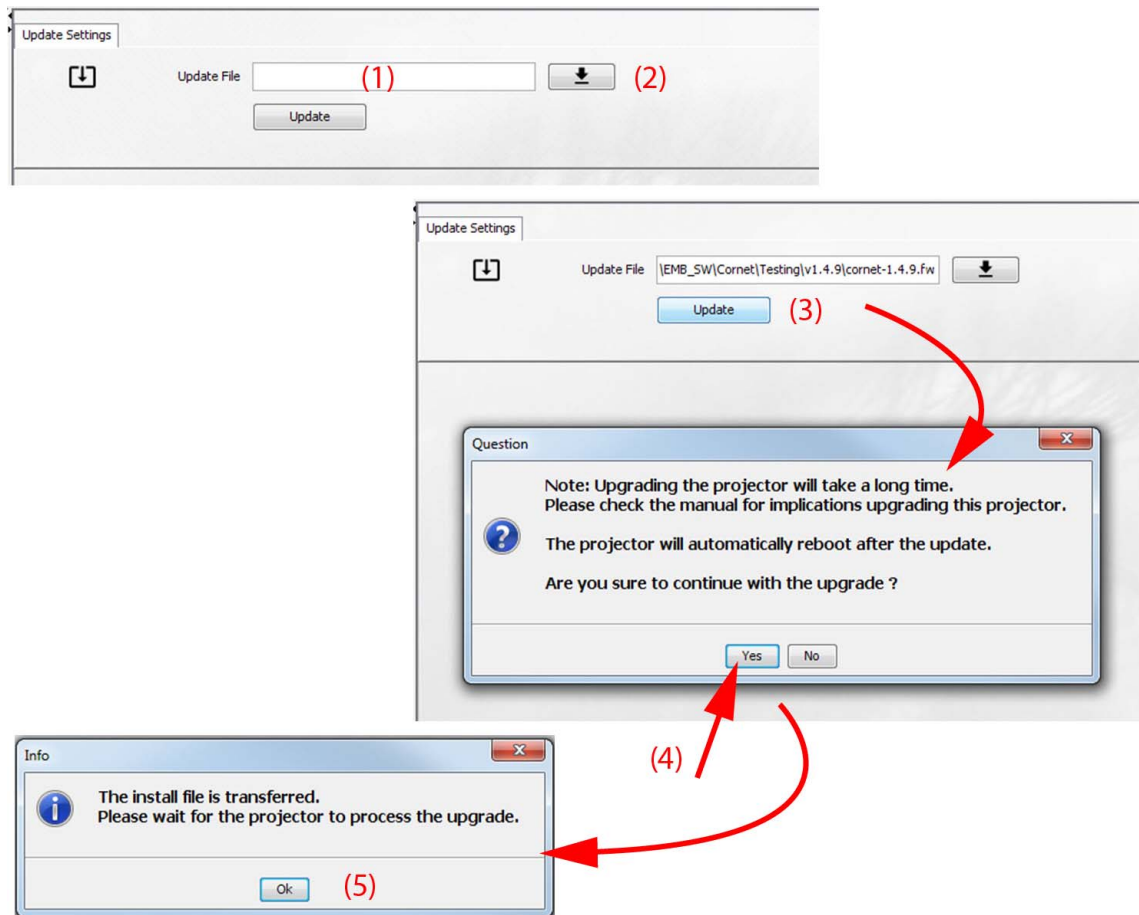


Image 8-11
Update Pulse projector

- Or,
click on the path selection icon (2) to open a browser window.
- Browse to the desired update package (format .fw) and click **Select Update Package**.
The path will be filled out in the input field next to *Update File*.
 - Click **Update** (3).
The update starts. This action can take a long time. A message is displayed.
 - Click **Yes** to continue (4).
The update file will be transferred to the projector and installed. The projector will reboot.
A message is displayed. Click Ok to clear the message.

How to update the software if the projector isn't connected to the network

- Power on the projector. Wait until the **Power on/off** button is either lit white or blue.
- Download the latest firmware file (format .fw) from Barco's website. The firmware can be downloaded for free from Barco's website, (URL: <http://www.barco.com>). Click on *myBarco* and login to get access to secured information. Registration is necessary. If you are not yet registered, click on *New to myBarco* and follow the instructions. With the created login and password, it is possible to login where you can download the software.
- Place the firmware file on a clean USB flash drive.
Note: *Make sure the flash drive is FAT32 compatible & no other files are on the flash drive.*
- Plug the flash drive in the USB port on the Communication Panel.
The update file will be transferred to the projector and installed. The projector will reboot when completed.



Take note that the update process can take a long time to complete.

9. MAINTENANCE

About this chapter

This chapter contains general maintenance procedures.

Overview

- Cleaning the lens
- Cleaning the exterior of the projector
- Replacement of the metal dust filters
- Replacement of the synthetic air filter

9.1 Cleaning the lens



To minimize the possibility of damage to optical coatings, or scratches to lens surfaces follow the cleaning procedure as described here precisely.

Necessary tools

- Compressed air.
- Clean Toraysee® cloth or any micro fiber lens cleaning cloth.
- Clean cotton cloth.

Necessary parts

Lens cleaner (e.g. Carl Zeiss lens cleaner or Purasol® or any water-based lens cleaner)

How to clean the lens?

1. Blow off dust with clean compressed air (or pressurized air cans¹).
2. Clean with lens cleaner together with a clean lens cleaning cloth to remove the dust and contamination. Use big wipes in one single direction.
Warning: Do not wipe back and forwards across the lens surface as this tends to grind dirt into the coating.
3. Use a dry lens cleaning cloth to remove left liquid or stripes. Polish with small circles.
4. If there are still fingerprints on the surface, wipe them off with lens cleaner together with a clean lens cleaning cloth. Polish again with a dry one.



If smears occur when cleaning lenses, replace the cloth. Smears are the first indication of a dirty cloth.

9.2 Cleaning the exterior of the projector

How to clean the exterior of the projector ?

1. Switch off the projector and unplug the projector from the mains power net.
2. Clean the housing of the projector with a damp cloth. Stubborn stains may be removed with a cloth lightly dampened with a mild detergent solution.

¹ Pressurized air cans are not efficient if there is too much dust on the surface, the pressure is too low

9.3 Replacement of the metal dust filters



CAUTION: The high density filter must be replaced on a regular basis, depending on the environment conditions of the projector.



WARNING: Switch off the projector and unplug the power cord before starting the procedure.

Necessary tools

- Vacuum cleaner
- Compressed air

Necessary parts

Metal air filters

How to replace the small air filter

1. Remove the light processor cover. See "Removal of the left cover", page 79.
2. Locate the metal filter on the inside of the cover.
3. Push both filter holders to the outside and flip the filter out of the holder as illustrated.

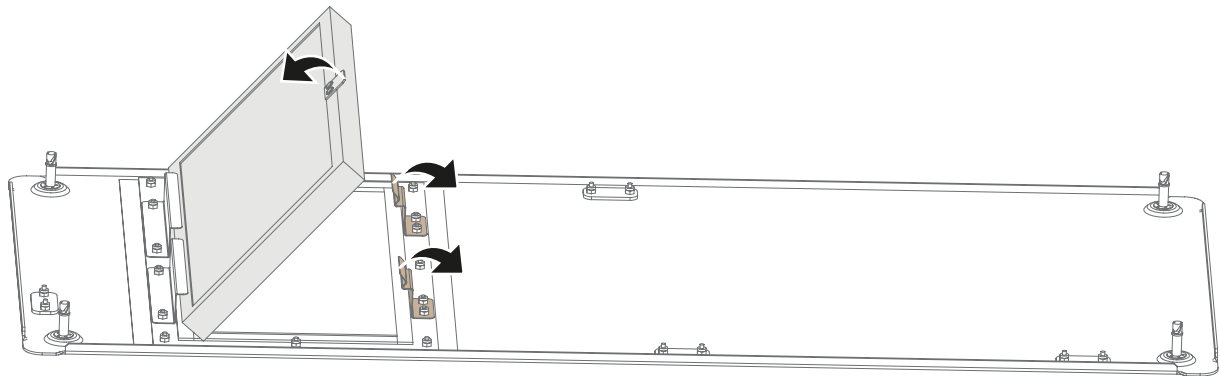


Image 9-1
Small metal filter replacement

4. Remove the filter and clean it.
5. Install either the cleaned filter or a new filter (if the old one is no longer usable).
Caution: Take notice of the air flow direction of the filter (made visible by a label). Make sure the arrow points towards the inside of the projector.
6. Install the light processor cover again. See "Mounting the left cover", page 82.

How to replace the large air filter

1. Remove the small top cover. See "Removal of the small top cover", page 80.
2. Push both filter holders to the outside and flip the filter out of the holder as illustrated.

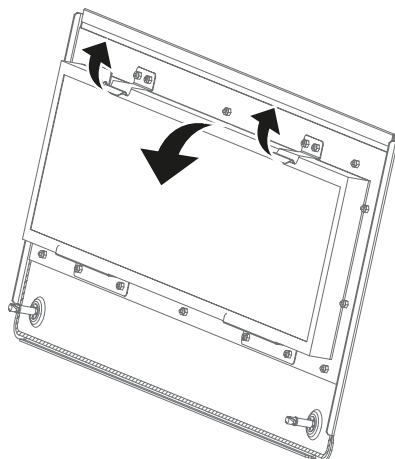


Image 9-2
Small top cover filter replacement

3. Remove the filter and clean it.
4. Install either the cleaned filter or a new filter (if the old one is no longer usable).
Caution: Take notice of the air flow direction of the filter (made visible by a label). Make sure the arrow points towards the inside of the projector.
5. Install the small top cover again. See "Mounting the small top cover", page 82.

Clean the metal dust filters

1. Remove most contamination with a vacuum cleaner.
2. Blow remaining dust away with compressed air in an other room or outside.



If you cannot clean the filter anymore, insert a new one.

9.4 Replacement of the synthetic air filter



WARNING: Switch off the projector and unplug the power cord before starting the procedure.

Necessary parts

New synthetic filter

How to remove

1. Remove the front cover. See "Removal of the front cover", page 79.
2. Push both filter holders to the outside and flip the filter out of the holder as illustrated.

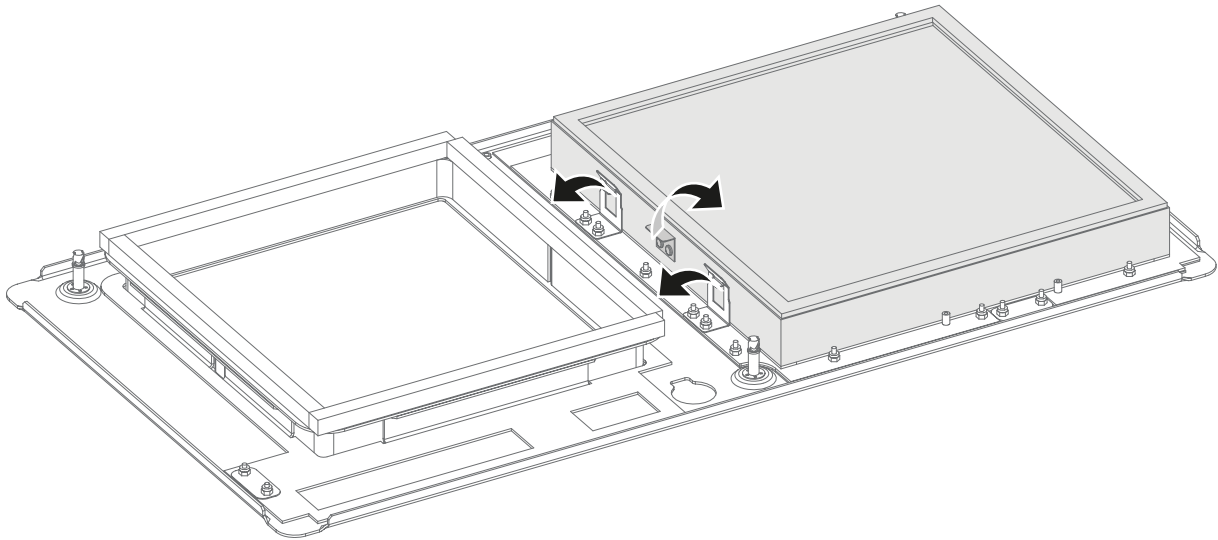


Image 9-3
Remove old filter

3. Remove the filter and insert a new one.

Caution: *Take notice of the air flow direction of the filter (made visible by a label). Make sure the arrow points towards the inside of the projector.*

4. Install the front cover. See "Mounting the front cover", page 81



CAUTION: Never clean the filter. Always replace with a new one.



CAUTION: Never use the projector with removed filters !

10. REMOVAL AND INSTALLATION OF THE PROJECTOR COVERS

Overview

- Removal of the front cover
- Removal of the left cover
- Removal of the back cover
- Removal of the small top cover
- Mounting the front cover
- Mounting the left cover
- Mounting the back cover
- Mounting the small top cover

About this chapter

Most maintenance and service procedures demand removing one or more of the projector covers to gain access to the parts to maintain or to service.

The procedures in this chapter describe, with detailed step by step actions and illustrations, how to remove or install the projector covers.



WARNING: Always switch off the projector and unplug the power cord before removing one of the covers, unless otherwise stated.

10.1 Removal of the front cover

Necessary tools

7 mm flat screw driver

How to remove

1. Remove the lens. See "Lens removal", page 35.
2. Release the three captive screws (reference 1).

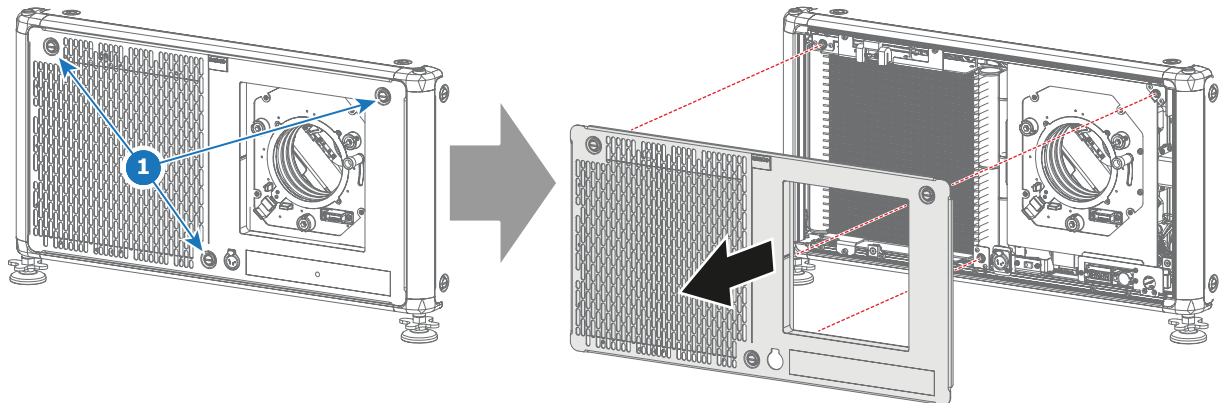


Image 10-1
Front cover removal

3. Remove the front cover.

10.2 Removal of the left cover

Necessary tools

7 mm flat screw driver