

10. Removal and installation of the projector covers

How to remove

1. Loosen the four captive screws (reference 1) of the light processor cover. Use a 7 mm flat screwdriver.
2. Remove the cover from the projector.

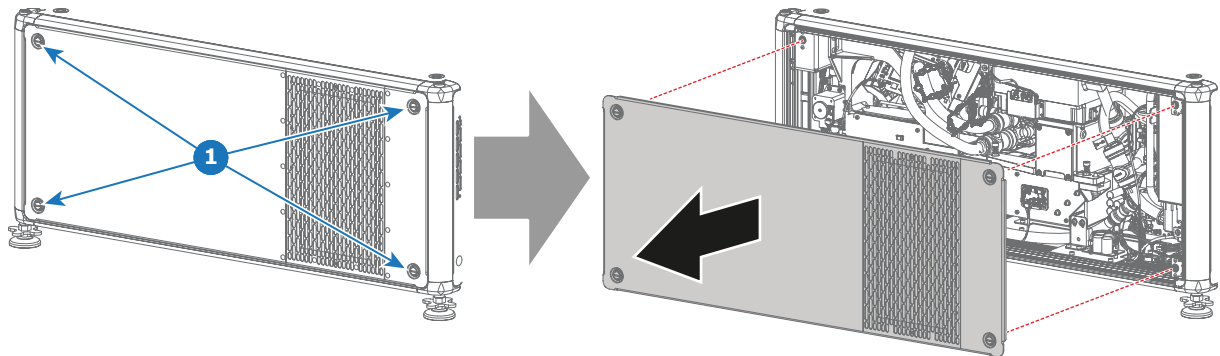


Image 10-2
Removal of the left cover (light processor side)

10.3 Removal of the back cover

Necessary tools

7 mm flat screw driver

How to remove

1. Loosen the captive three screws (reference 1) of the backside of the projector. Use a 7 mm flat screwdriver.
2. Remove the cover from the projector.

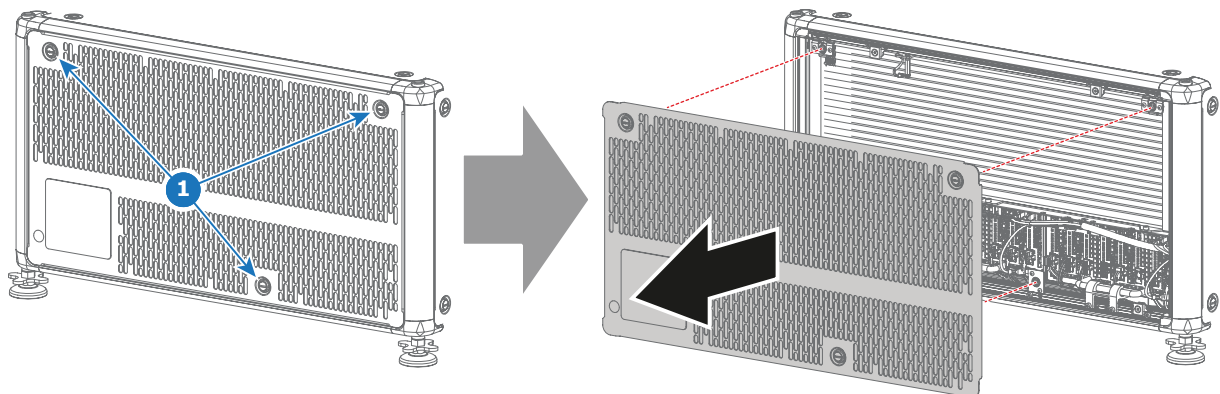


Image 10-3
Remove back cover

10.4 Removal of the small top cover

Necessary tools

7 mm flat screw driver

How to remove

1. Loosen the two captive screws (reference 1) of the small top cover at the back side of the projector.

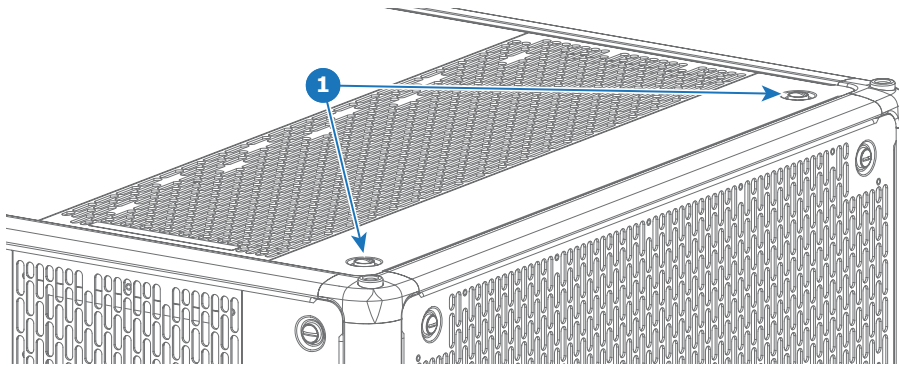


Image 10-4

Caution: Only loosen the captive screws at the backside of the projector. It is not necessary to loosen the captive screws at the front side of the top cover.

2. Flip the small cover open and remove it carefully.

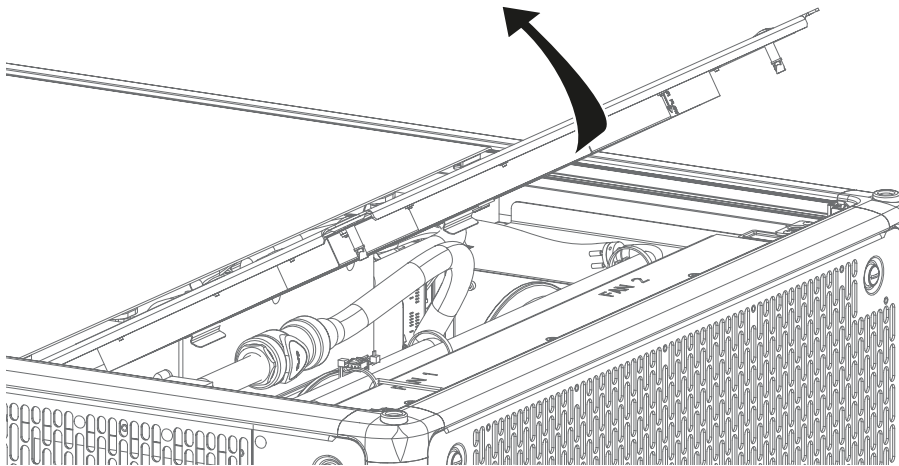


Image 10-5

Flip the small top cover

10.5 Mounting the front cover

Necessary tools

7 mm flat screw driver

How to mount

1. Place the front cover on its place, with the filter facing the projector.

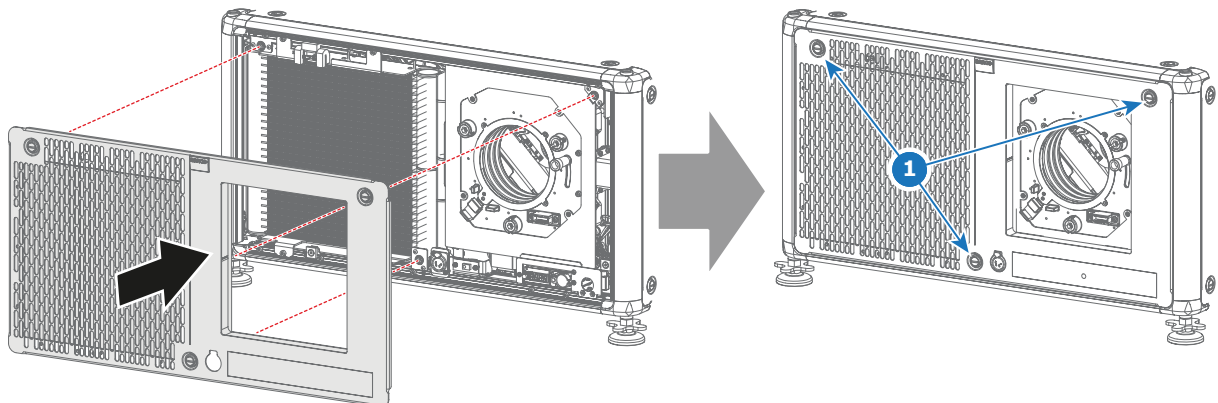


Image 10-6

Mount front cover

2. Fasten the three captive screws (reference 1).
3. Mount the lens again. See "Lens installation", page 33.