

10.6 Mounting the left cover

Necessary tools

7 mm flat screw driver

How to mount

1. Place the cover on its place, with the filter facing the **back side** of the projector.

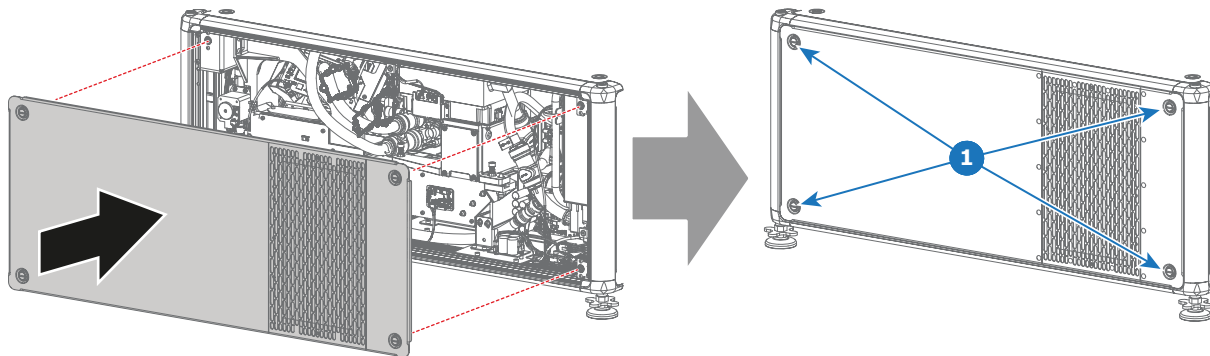


Image 10-7
Mount left cover (light processor side)

2. Fasten the four captive screws (reference 1).

10.7 Mounting the back cover

Necessary tools

7 mm flat screw driver

How to mount

1. Place the back cover on the backside of the projector.

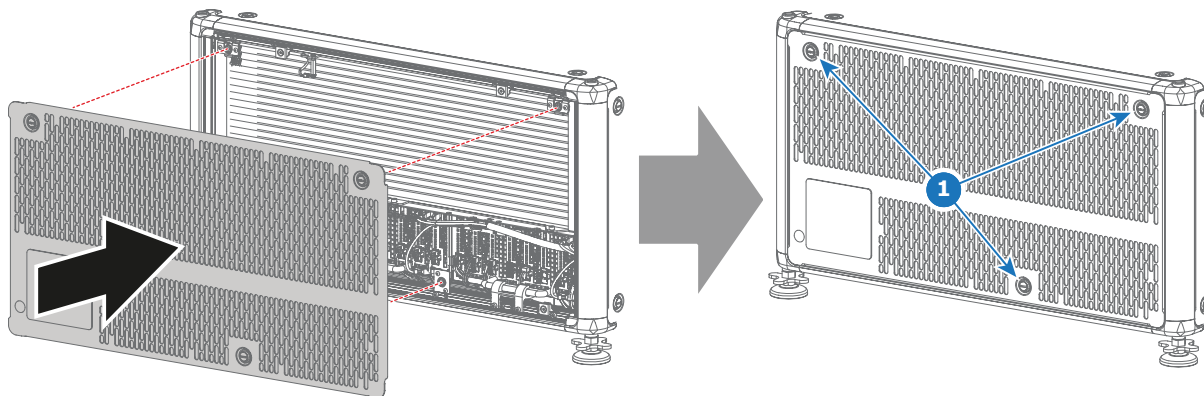


Image 10-8
Mount back cover

2. Fasten the three captive screws (reference 1).

10.8 Mounting the small top cover

Necessary tools

7 mm flat screw driver

How to mount

1. Slide the small top cover into the gaps of the large top cover (reference 1, image 10-9).

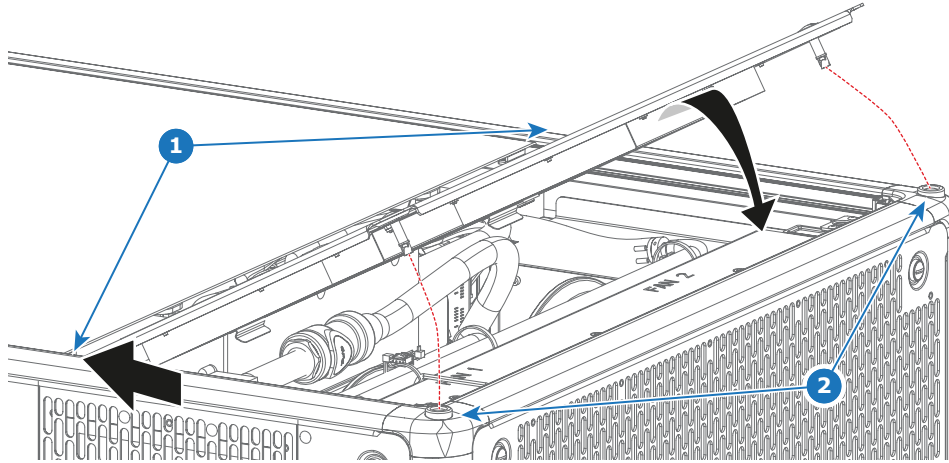


Image 10-9

2. Flip down the cover, so that the captive screws nicely fit the inserts (reference 2).
3. Fasten the two captive screws (reference 1, image 10-9).

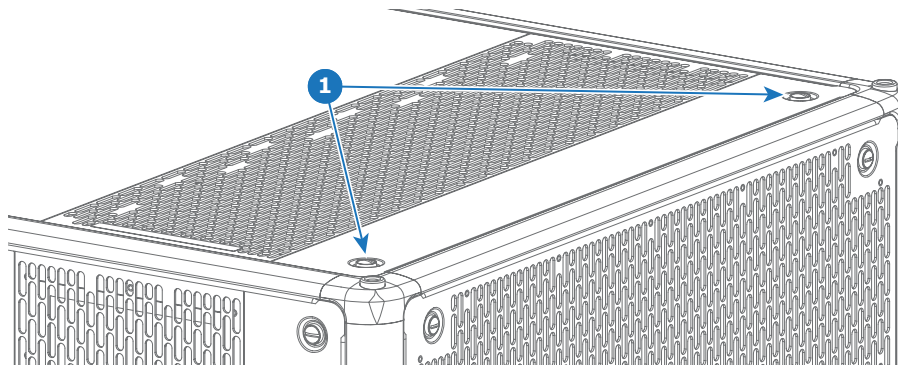


Image 10-10

A. SPECIFICATIONS

About this chapter

This chapter gives an overview of the specification of the UDX projector as well as the dimensions and the center of gravity.

Overview

- Specifications of the UDX 4K32
- Specifications of the UDX 4K22
- Specifications of the UDX W32
- Specifications of the UDX W22
- Specifications of the UDX U32
- Dimensions of a UDX
- Dimensions of the rigging frame
- Dimensions of the flight case
- Technical Regulations

A.1 Specifications of the UDX 4K32

Specifications

Projector type	4K UHD 3-chip DLP digital projector
Technology	0.9" DMD™ x3
Resolution	3,840 x 2,400 (4K UHD) / 2,560 x 1,600 (native)
Brightness	31,000 (WQ)/30,000 (4K UHD) center lumens*
Contrast ratio	2,000:1
Brightness uniformity	90%
Aspect ratio	16:10
ScenergiX	Horizontal and vertical edge blending
Lenses	TLD+ 0.37, 0.65-0.85, 0.8-1.16:1 ; 1.25-1.6:1 ; 1.5-2.0:1 ; 2.0-2.8:1 ; 2.8-4.5:1 ; 4.5-7.5:1 ; 7.5-11.5:1
Optical lens shift	V: -100% to +130% / H: +/- 40% on zoom lenses (memorized)
Color correction	P7
Light source	laser phosphor with inorganic phosphor wheel
Light source lifetime	+20,000 hrs
Optical dowser	Digital
Picture-in-picture	Two sources simultaneously
Orientation	360°
Sealed DLP™ core	standard
DMX 512	standard*
WARP	Direct adjust OSD + toolset
Integrated web server	Yes
CLO (constant light output)	Standard
3D	Active eye wear (optional), passive circular (optional); 3 flash up to 200Hz*
Inputs	Single HDBaseT; HDMI 2.0 (HDCP 2.2); DP 1.2 (HDCP 1.3); Quad SDI/HDSDI/dual HDSDI/6G/BarcoLink
Optional Inputs	Quad DP1.2
Input resolutions	From NTSC up to 4K (4,096 x 2,160)
Max. pixel clock	600 MHz
Software tools	Projector Toolset + Android** app + iOS** app

A. Specifications

Control	XLR wired + IR, RS232, Wifi**, GSM** (opt)
Network connection	10/100 base-T, RJ-45 connection, Wifi** (optional)
Power requirements	120-160 V(reduced power) / 200-240V (+/- 10%), 20A, 50-60Hz
Max. power consumption	2,900W nom/3,100W max / STBY less than 10W
Noise level (typical at 25°C/77°F)	52dB(A)
Operational ambient temperature	0-40°C / 32°-104°F
Operational humidity	0-80% (non condens)
Dissipation BTU	Max. 10,921 BTU/h
Dimensions (WxLxH)	660 x 830 x 350 mm / 25.98 x 32.67 x 13.77 inches
Shipping Dimensions	(LxWxH) 1,200 x 800 x 685 mm / 47.24 x 31.49 x 26.96 inches
Weight	92kg (202 lbs)/shipping weight from factory: 110kg (242 lbs)
Standard accessories	Power cord, wireless/XLR wired rugged remote control
Certifications	Compliant with UL60950-1 and EN60950-1 complies with FCC rules & regulations, part 15 Class A and CE EN55032 Class A, Rohs
Warranty	3 years
*	+/- 10%

A.2 Specifications of the UDX 4K22

Specifications

Projector type	4K UHD 3-chip DLP digital projector
Technology	0.9" DMD™ x3
Resolution	3,840 x 2,400 (4K UHD) / 2,560 x 1,600 (native)
Brightness	21,000 (WQ)/20,000 (4K UHD) center lumens*
Contrast ratio	2,000:1
Brightness uniformity	90%
Aspect ratio	16:10
ScenergiX	Horizontal and vertical edge blending
Lenses	TLD+ 0.37, 0.65-0.85, 0.8-1.16 ; 1.25-1.6:1 ; 1.5-2.0:1 ; 2.0-2.8:1 ; 2.8-4.5:1 ; 4.5-7.5:1 ; 7.5-11.5:1
Optical lens shift	Vert -100% to +130% / Hor +/-40% on zoom lenses memorized
Color correction	P7
Light source	Laser phosphor with inorganic phosphor wheel
Light source lifetime	+20,000 hrs
Optical dowser	Digital
Picture-in-picture	Two sources simultaneously
Sealed DLP™ core	Standard
Orientation	360°
DMX 512	standard*
WARP	Direct adjust OSD + toolset
Integrated web server	Yes
CLO (constant light output)	Standard
3D	Active eye wear (optional), passive circular (optional); 3 flash up to 200Hz*
Inputs	Single HDBaseT; HDMI 2.0 (HDCP 2.2); DP 1.2 (HDCP 1.3); Quad SDI/HDSDI/dual HDSDI/6G/BarcoLink
Optional Inputs	Quad DP1.2
Input resolutions	From NTSC up to 4K (4,096 x 2,160)

Max. pixel clock	600 Mhz
Software tools	Projector Toolset + Android* app + iOS* app
Control	XLR wired + IR, RS232, Wifi*, GSM* (opt)
Network connection	10/100 base-T, RJ-45 connection, Wifi* (optional)
Power requirements	120-160 V(reduced power) / 200-240 V (+/- 10%), 20 A, 50-60 Hz
Max. power consumption	1,900W @ 230 volts STBY<10W
Noise level (typical at 25°C/77°F)	49dB(A)
Operational ambient temperature	0°-40°C/ 32°-104°F (45°C reduced power)
Operational humidity	0-80% (non condens)
Dissipation BTU	Max. 6,600 BTU/h
Dimensions (WxLxH)	660 x 830 x 350 mm (25.98 x 32.67 x 13.77")
Shipping Dimensions	(LxWxH)1,200 x 980 x 760 mm (47.24 x 38.58 x 29.92")
Weight	87.5 kg (193 lbs)/shipping weight from factory: 105kg (231lbs)
Standard accessories	Power cord, wireless/XLR wired rugged remote control
Certifications	Compliant with UL60950-1 and EN60950-1, complies with FCC rules & regulations, part 15 Class A and CE EN55032 Class A, Rohs
Warranty	3 years
*	Software upgradeable. Check with your local authorized Barco sales representative for full details.

A.3 Specifications of the UDX W32

Specifications

Projector type	WUXGA 3-chip DLP digital projector
Technology	0.96" DMD™ x3
Resolution	1,920 x 1,200
Brightness	32,000 center lumens*
Contrast ratio	2,000:1
Brightness uniformity	90%
Aspect ratio	16:10
ScenergiX	Horizontal and vertical edge blending
Lenses	TLD+ 0.37, 0.65-0.85, 0.73:1 ; 1.2:1 ; 0.8-1.16 ; 1.25 -1.6:1 ; 1.5-2.0:1 ; 2.0-2.8:1 ; 2.8-4.5:1 ; 4.5-7.5:1 ; 7.5-11.5:1
Optical lens shift	V: -100% to +130% / H: +/-40% on zoom lenses (memorized)
Color correction	P7
Light source	laser phosphor with inorganic phosphor wheel
Light source lifetime	+20,000 hrs
Optical dowser	Digital
Picture-in-picture	Two sources simultaneously
Sealed DLP™ core	standard
Orientation	360°
DMX 512	standard*
WARP	Direct adjust OSD + toolset
Integrated web server	Yes
CLO (constant light output)	Standard
3D	Active eye wear (optional), passive circular (optional); 3 flash up to 200Hz*

A. Specifications

Inputs	Single HDBaseT; HDMI 2.0 (HDCP 2.2); DP 1.2 (HDCP 1.3); Quad SDI/HDSDI/dual HDSDI/6G/BarcoLink
Optional Inputs	Quad DP1.2
Input resolutions	From NTSC up to 4K (4,096 x 2,160)
Max. pixel clock	600 MHz
Software tools	Projector Toolset + Android** app + iOS** app
Control	XLR wired + IR, RS232, Wifi**, GSM** (opt)
Network connection	10/100 base-T, RJ-45 connection, Wifi** (optional)
Power requirements	120-160V (reduced power) / 200-240V (+/- 10%), 20A, 50-60Hz
Max. power consumption	2,900W nom/3,100W max. / STBY less than 10W
Noise level (typical at 25°C/77°F)	52dB(A)
Operational ambient temperature	0-40°C / 32°-104°F
Operational humidity	0-80% (non condens)
Dissipation BTU	Max. 10,921 BTU/h
Dimensions (WxLxH)	660 x 830 x 350 mm / 25.95 x 32.7 x 13.78 inches
Shipping Dimensions	(LxWxH) 1,200 x 800 x 685 mm / 47.24 x 31.49 x 26.96 inches
Weight	92kg (202 lbs)/shipping weight from factory: 110kg (242 lbs)
Standard accessories	Power cord, wireless/XLR wired rugged remote control
Certifications	Compliant with UL60950-1 and EN60950-1 complies with FCC rules & regulations, part 15 Class A and CE EN55032 Class A, Rohs
Warranty	3 years
*	+/- 10%

A.4 Specifications of the UDX W22

Specifications

Projector type	Native 4K 3-chip DLP digital projector up to 120 Hz
Technology	1.38" DMD™ x3
Resolution	4,096 x 2,160
Brightness	Up to 70,000 center lumens using HC lenses / Up to 75,000 center lumens using HB lenses
Native contrast ratio	2,800:1 (typical using HC lenses) / 500:1 ANSI contrast (typical) 2,000:1 (typical using HB lenses) / 450:1 ANSI contrast (typical)
Prime lenses	HC: 1.13-1.65; 1.35-1.86; 1.46-2.10; 1.65-2.60; 2.00-3.35 / HB : XLD 0.8, 1.45-1.8, 1.8-2.4, 2.2-3.0, 2.8-5.5, 5.5-8.5
Optical lens shift	V: -100% to +100% / H: +/- 40% (lens dependent)
Light source	Direct coupled RGB lasers 3P
Long-term brightness stability	Less than 20% decrease during a runtime of 15,000 hrs
Color correction	P7
Optical dowser	Standard
Orientation	Tilt +/- 45 degrees Rotation – 20 degrees / +90 degrees (=Portrait)
Sealed DLP™ core	standard
Inputs	Slot 1 : Dual HDBt; HDMI 2.0 (HDCP 2.2); DP 1.2 (HDCP 1.3); Quad SDI/HDSDI/dual HDSDI/6G/BarcoLink
Input resolutions	From NTSC up to 4K (4,096 x 2,160) 120 Hz
Picture-in-picture	Two sources simultaneously
CLO (constant light output)	Standard
ScenergiX	Horizontal and vertical edge blending, Direct adjust OSD + toolset

Integrated web server	Yes
Software tools	Projector Toolset
Control	XLR wired + IR, RS232, Wifi, GSM (opt)
Network connection	10/100 base-T, RJ-45 connection, Wifi (optional)
Dimensions (WxLxH)	Projector: 744 x 1,445 x 706 mm / 29.3 x 56.9 x 27.8 inches (with feet, no lens) Two chillers, each with the following dimensions: 701 x 701 x 800 mm / 27.6 x 27.6 x 31.5 inches
Weight	Projector: 235kg (~520lb) / Chillers: ~115kg (~250lb) per chiller (two chillers needed)
Cooling liquid hose length	2.5-5-10m (8.2-16.4-32.8ft)
Power requirements	Projector: 200-240/346-415V 50-60Hz 16A 3W+N+PE (Y connection) / Power cord size range: 4 sq mm to 6 sq mm, 10AWG to 8AWG / Circuit breaker range: 25A to 40A 200-240V 3W+PE 28A 50-60Hz (Λ- connection) / Power cord size: 6 sq mm, 8AWG / Circuit breaker: 40A Chillers: 230/400V 3W+N+PE 16A, 2.5 sq mm (Y connection) or 208V / 3W+PE (Λ-connection) / Max. 16A per phase
Ambient temperature	35°C (95°F) Max. (projector and chillers)
Operational humidity	0-80% (non condens)
Power consumption	Projector @ full laser power: 6.7 kW (2D or Polarization 3D) / 3.6 kW (Barco Laser3D - 6P) Chillers @ full laser power: 3.0 kW (2D or Polarization 3D) / 2.5 kW (Barco Laser3D - 6P)
3D systems	Active glasses systems / Polarization recuperation systems
Safety class	Class 1, RG3
Certifications	CE; ETL/UL/FCC

A.5 Specifications of the UDX U32

Specifications

Projector type	UXGA 3-chip DLP digital projector
Technology	0.96" DMD™ x3
Resolution	1,600 x 1,200
Brightness	30,000 center lumens*
Contrast ratio	2,000:1
Brightness uniformity	90%
Aspect ratio	4:3
ScenergiX	Horizontal and vertical edge blending
Lenses	TLD+ 0.37, 0.65-0.85, 0.73:1 ; 1.2:1 ; 0.8-1.16 ; 1.25-1.6:1 ; 1.5-2.0:1 ; 2.0-2.8:1 ; 2.8-4.5:1 ; 4.5-7.5:1 ; 7.5-11.5:1
Optical lens shift	V: -100% to +130% / H: +/- 40% on zoom lenses (memorized)
Color correction	P7
Light source	laser phosphor with inorganic phosphor wheel
Light source lifetime	+20,000 hrs
Optical dowser	Digital
Picture-in-picture	Two sources simultaneously
Sealed DLP™ core	standard
Orientation	360°
DMX 512	standard*
WARP	Direct adjust OSD + toolset
Integrated web server	Yes

A. Specifications

CLO (constant light output)	Standard
3D	Active eye wear (optional), passive circular (optional); 3 flash up to 200Hz*
Inputs	Single HDBaseT; HDMI 2.0 (HDCP 2.2); DP 1.2 (HDCP 1.3); Quad SDI/HDSDI/dual HDSDI/6G/BarcoLink
Optional Inputs	Quad DP1.2
Input resolutions	From NTSC up to 4K (4,096 x 2,160)
Max. pixel clock	600 MHz
Software tools	Projector Toolset + Android** app + iOS** app
Control	XLR wired + IR, RS232, Wifi**, GSM** (opt)
Network connection	10/100 base-T, RJ-45 connection, Wifi** (optional)
Power requirements	120-160V (reduced power) / 200-240V (+/- 10%), 20A, 50-60Hz
Max. power consumption	2,900W nom/3,100W max / STBY less than 10W
Noise level (typical at 25°C/77°F)	52dB(A)
Operational ambient temperature	0-40°C / 32°-104°F
Operational humidity	0-80% (non condens)
Dissipation BTU	Max. 10,921 BTU/h
Dimensions (WxLxH)	660 x 830 x 350 mm / 25.98 x 32.7 x 13.78 inches
Shipping Dimensions	(LxWxH) 1,200 x 800 x 685 mm / 47.24 x 31.49 x 26.96 inches
Weight	92kg (202 lbs)/shipping weight from factory: 110kg (242lbs)
Standard accessories	Power cord, wireless/XLR wired rugged remote control, bottom rigging kit/clamps
Certifications	Compliant with UL60950-1 and EN60950-1, complies with FCC rules & regulations, part 15 Class A and CE EN55032 Class A, Rohs
Warranty	3 years
*	+/- 10%

A.6 Dimensions of a UDX

Overview

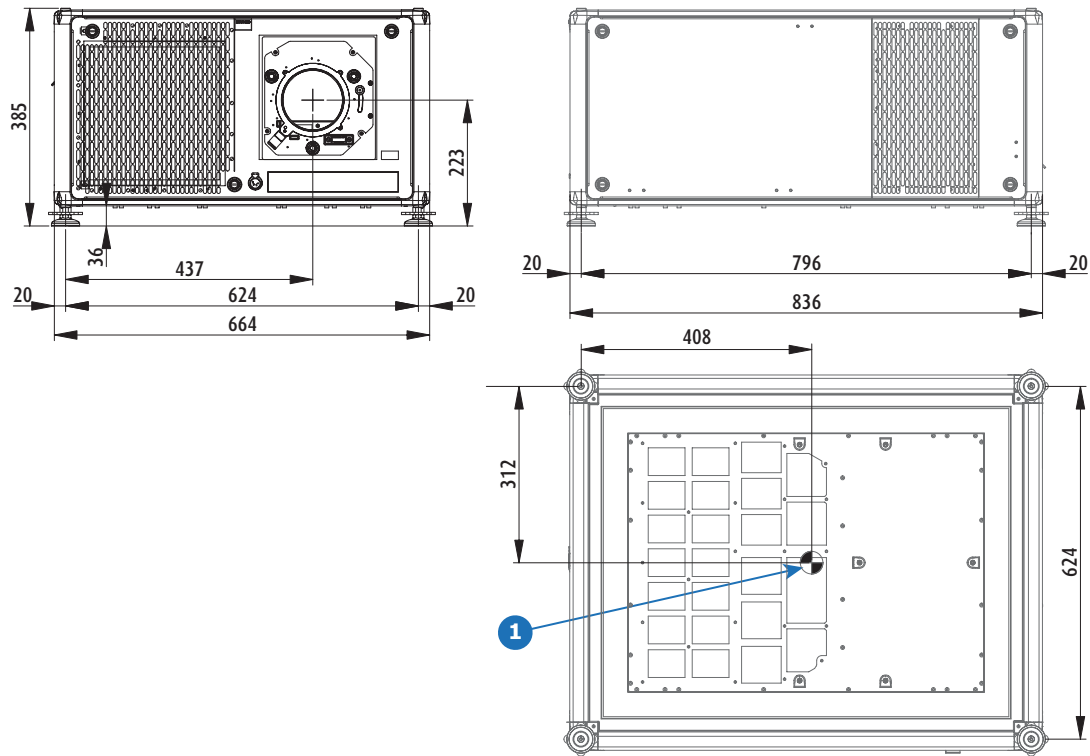


Image A-1
Dimensions, in mm

1 Geometrical centre

A.7 Dimensions of the rigging frame

Overview

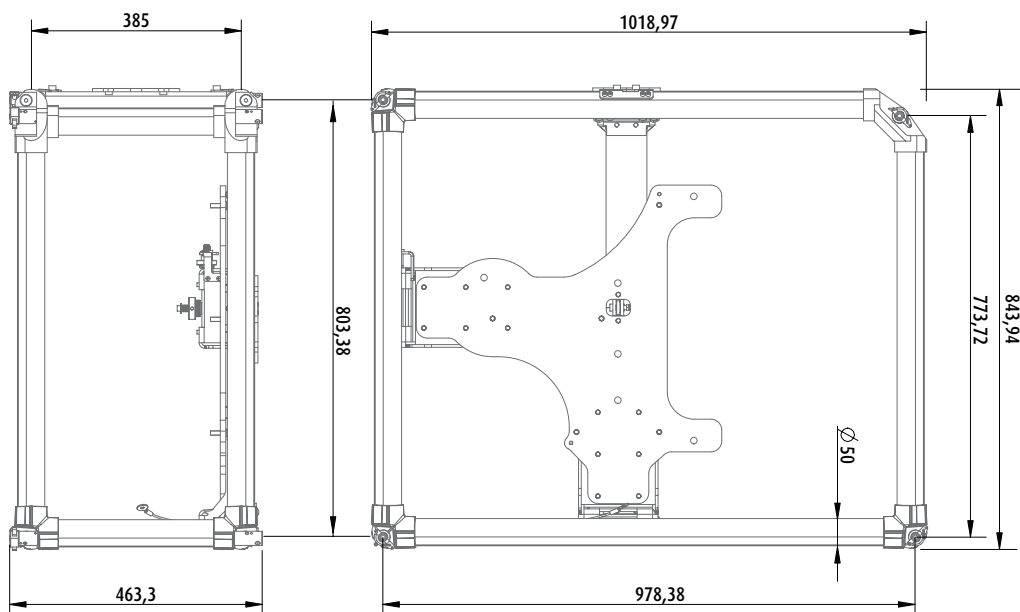


Image A-2
Dimensions, in mm

A.8 Dimensions of the flight case

Overview

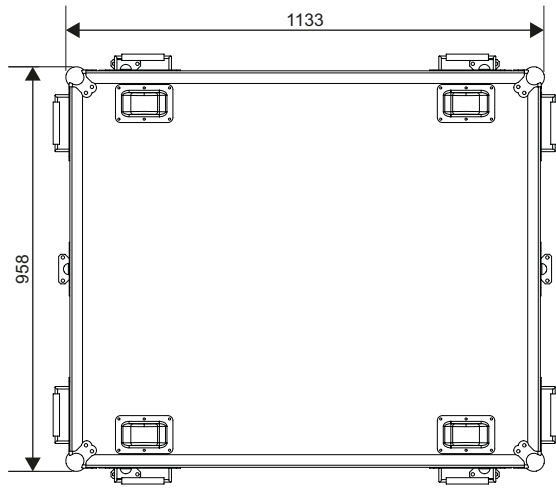
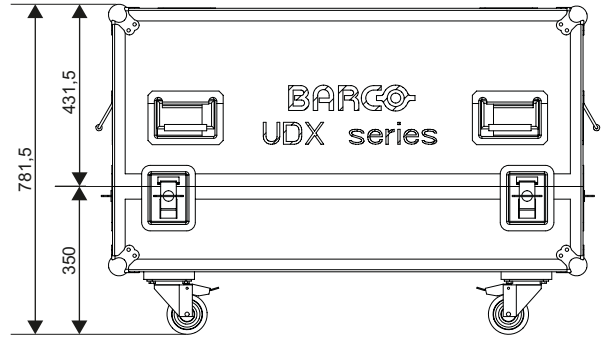


Image A-3
Dimensions, in mm



A.9 Technical Regulations

Certificates



Image A-4
EAC mark



Image A-5
RoHS



Image A-6
RoHS OK



Image A-7
CE mark



Image A-8
CCC mark



Image A-9
CEBEC mark



Image A-10
FCC label



Image A-11
RCM mark



Image A-12
SGS mark

B. STACKING UDX PROJECTORS

B.1 Stacking UDX projectors



WARNING: UDX projectors can be stacked up on top of each other on a flat surface, or suspended from a truss using the rigging frame. But keep the following in mind:

It is allowed to stack maximum three projectors

It is allowed to suspend maximum two projectors

How to stack

1. Make sure that each projector is installed in their respective rigging frame.
2. If pre-installed, remove all four locking pins (reference 1, image B-1) from each rigging frame, except the frame that will be installed on top of the stack.

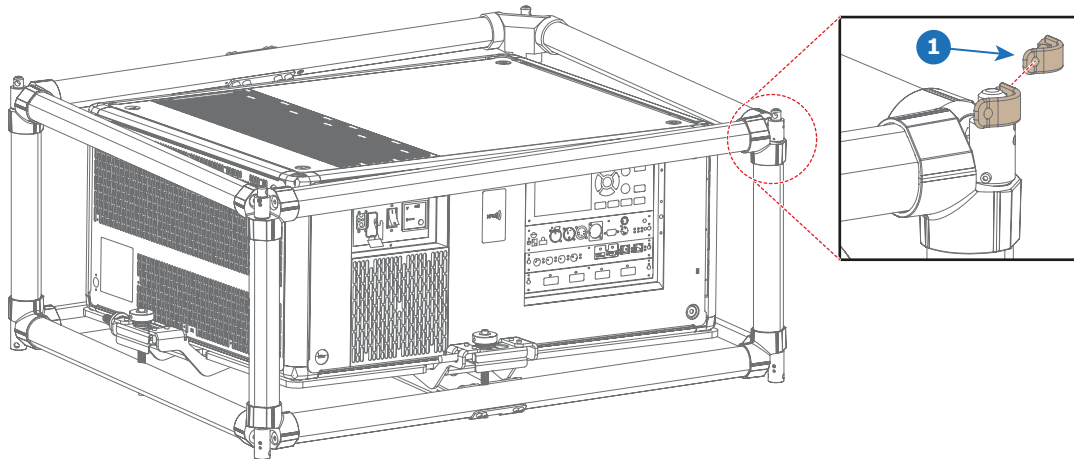


Image B-1

1 Locking pin

Note: Even if not all pins are necessary in your current setup, it is important to keep all locking pins to their respective rigging frame for future use.

3. Stack the frames. Make sure the stacking pins of both frames are aligned.

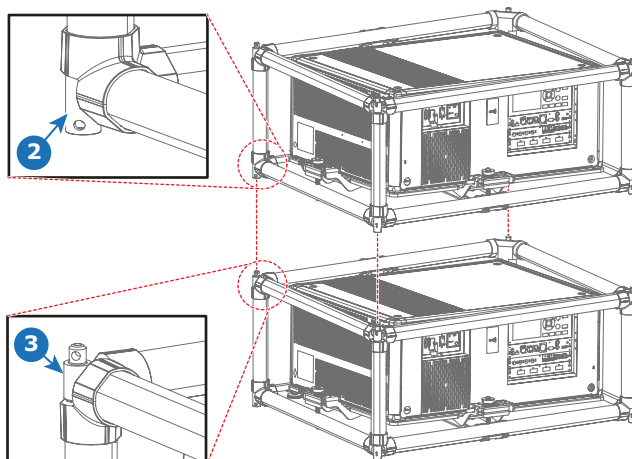


Image B-2

2 Lower stacking pins
3 Upper stacking pins

4. Install a locking pin (reference 1, image B-3) through the overlapping hole of both stacking pins.