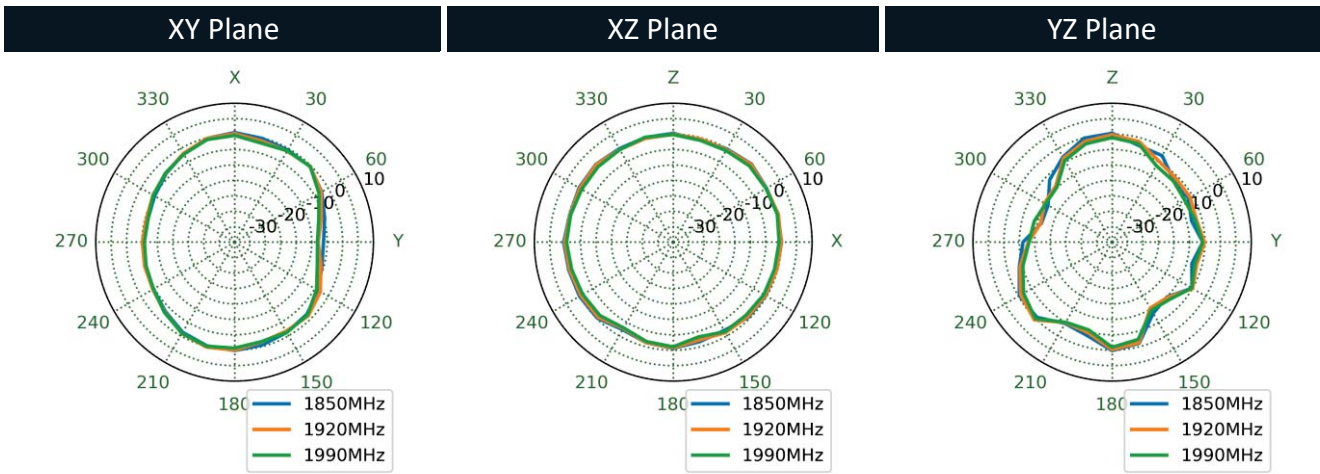
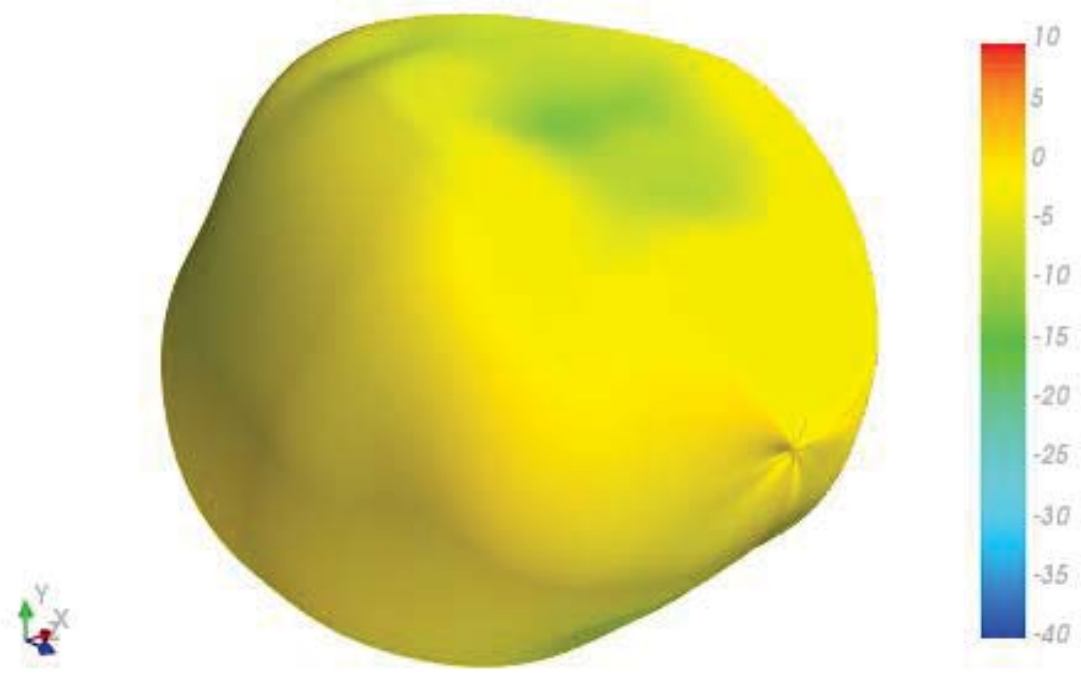
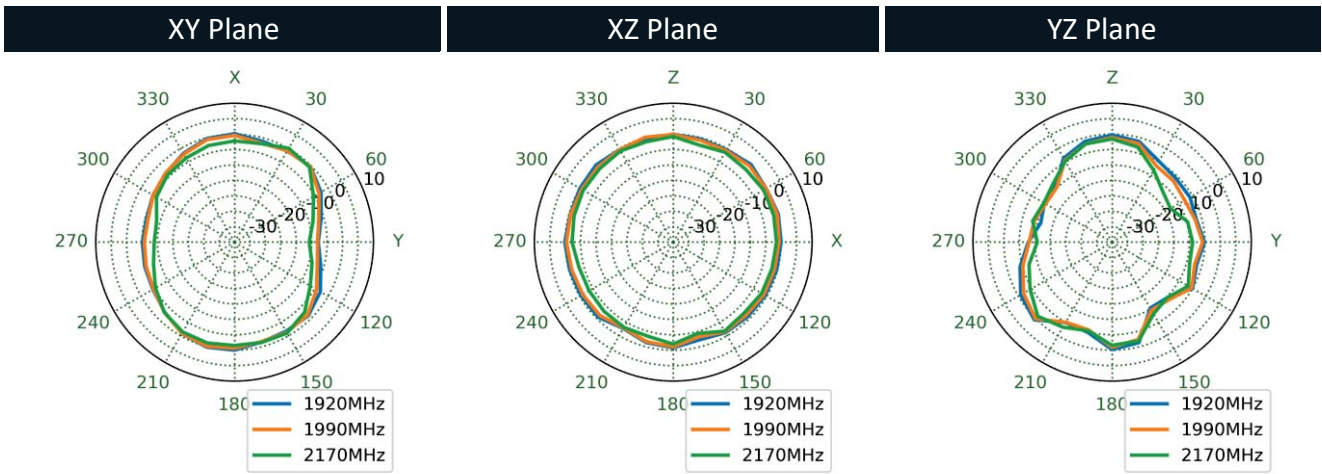
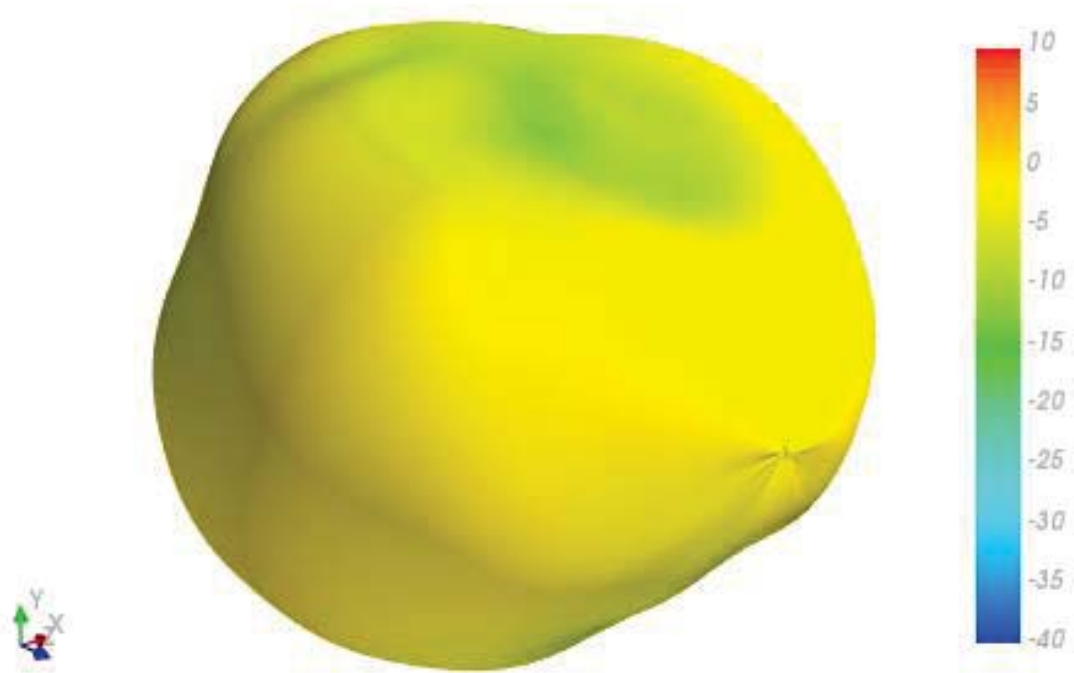


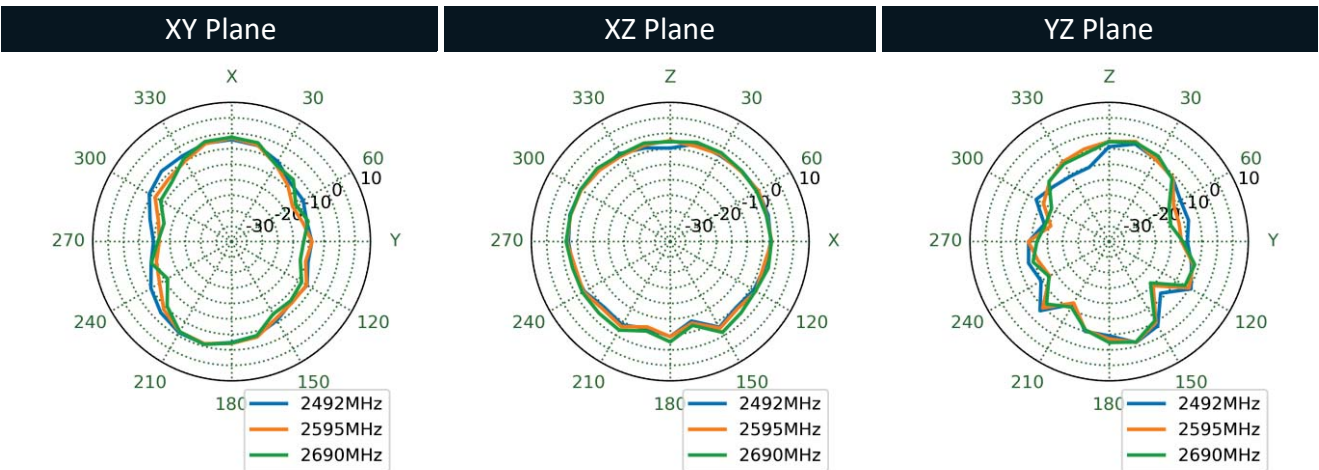
1920MHz



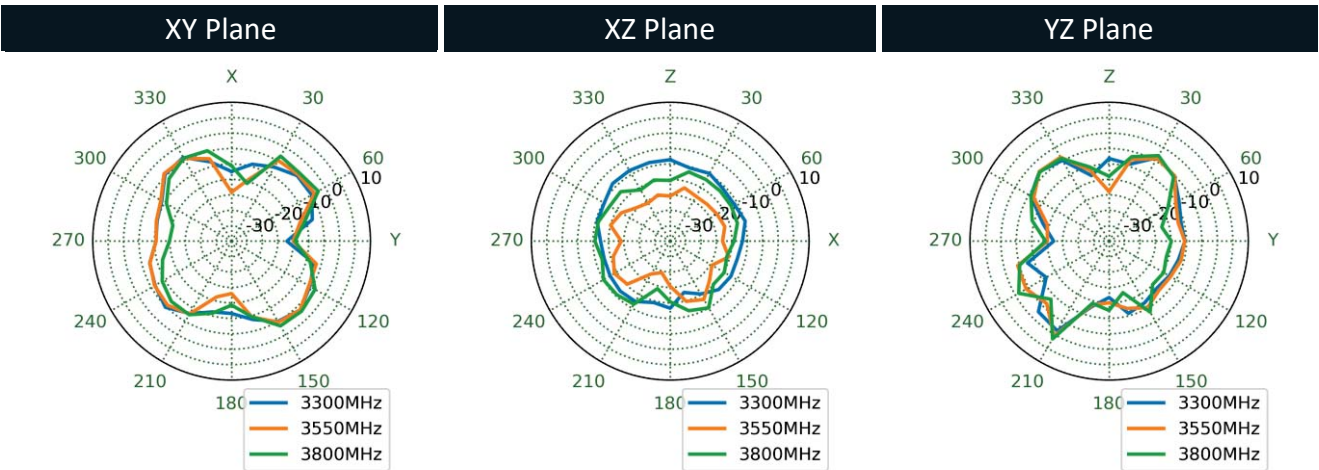
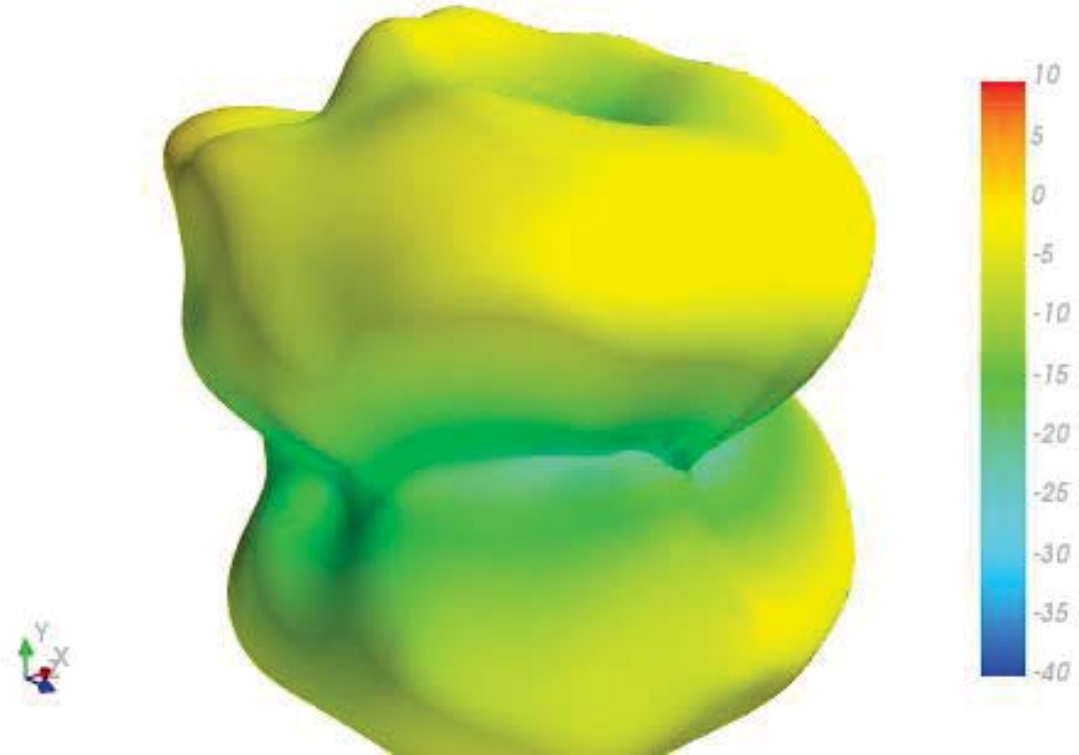
1990MHz



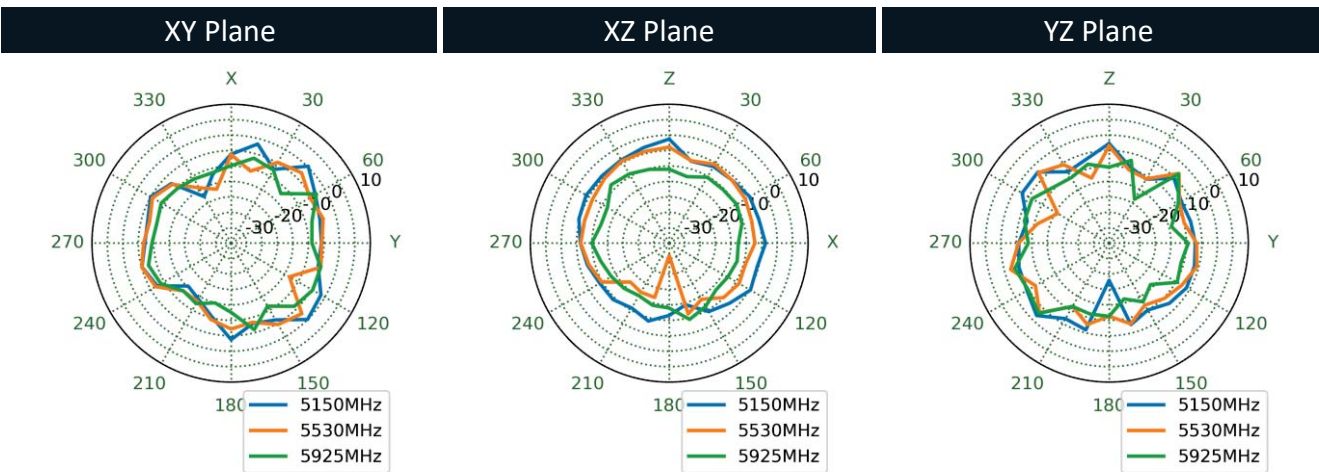
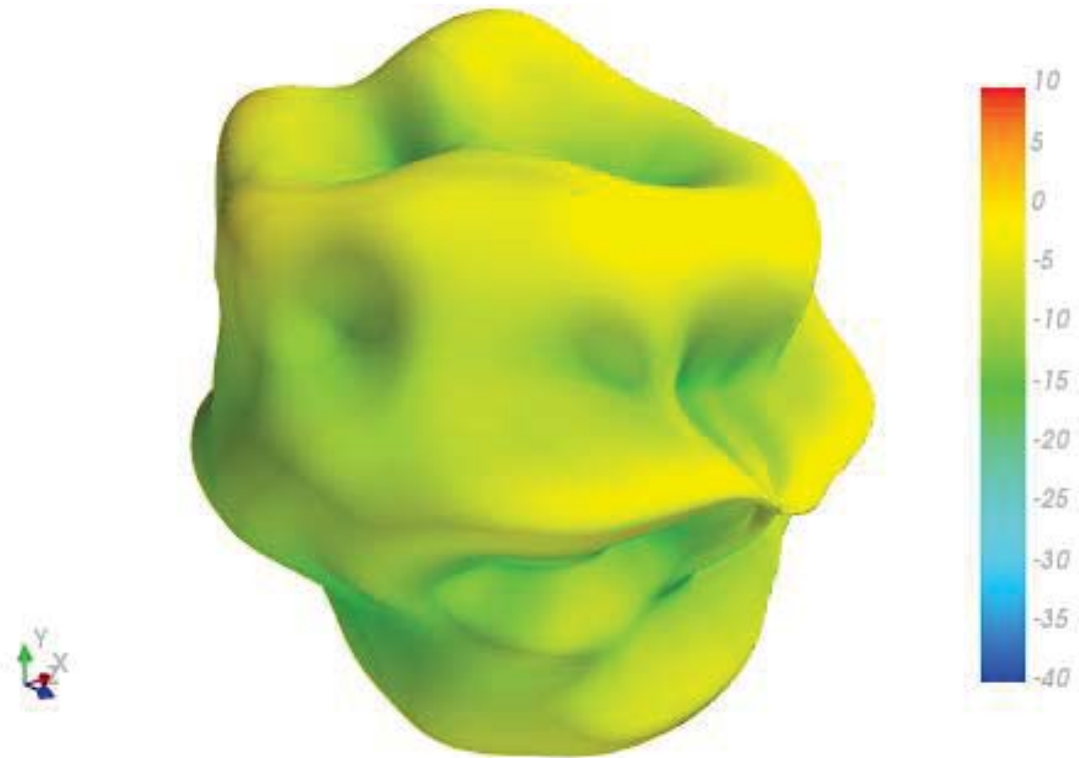
2595MHz



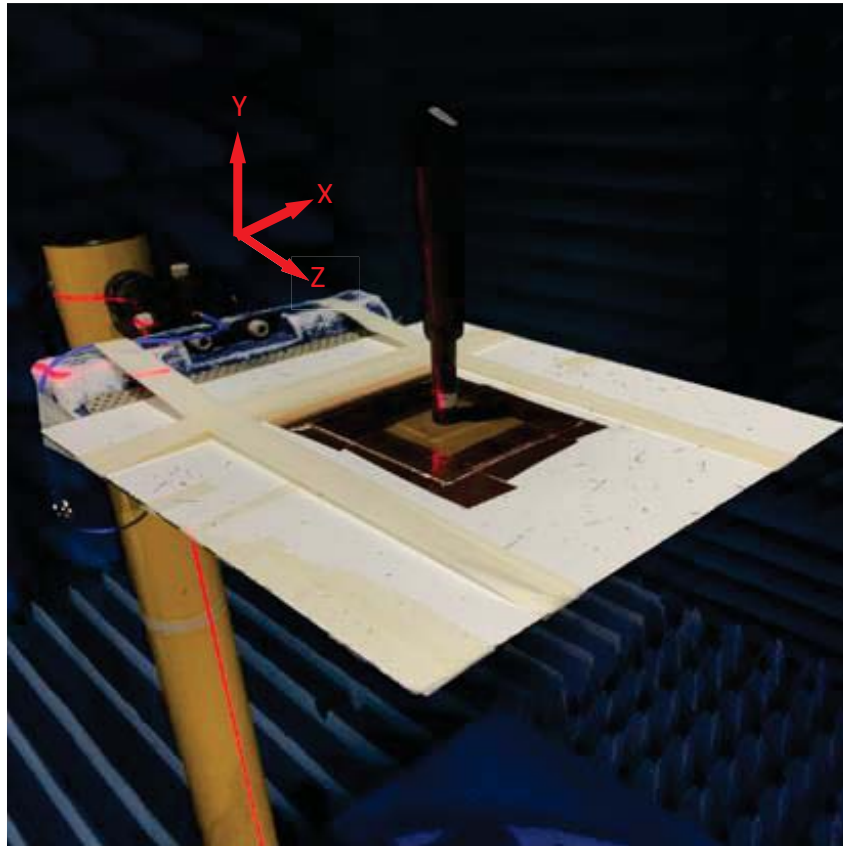
3550MHz



5530MHz



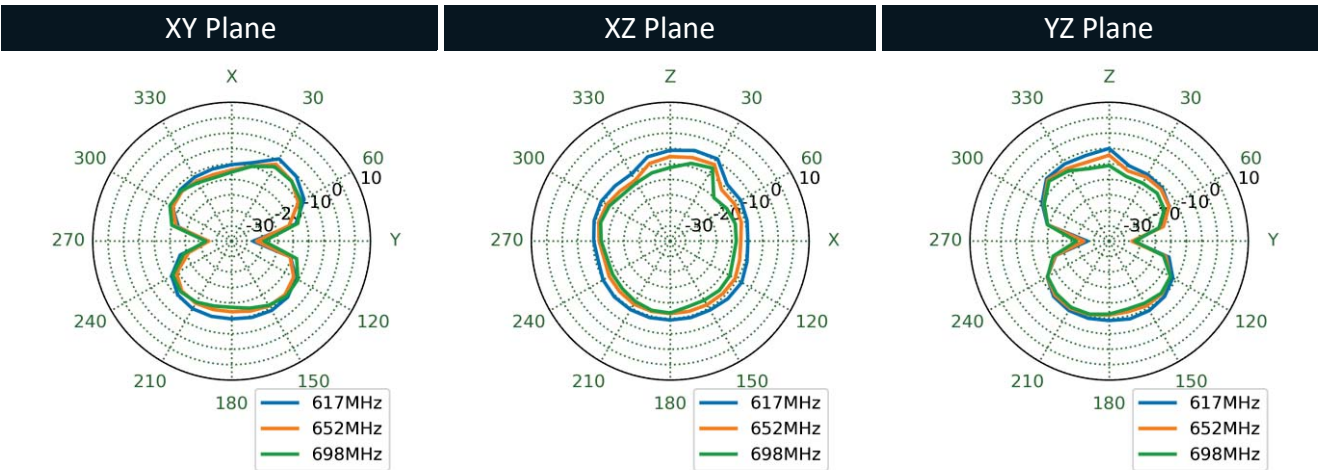
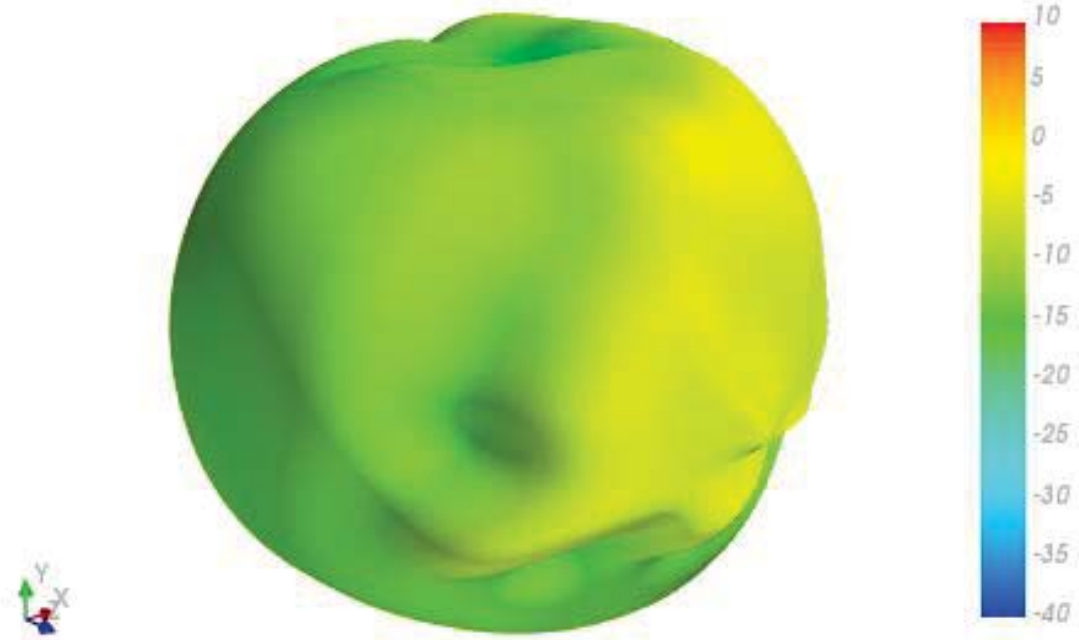
4.9 Test Setup



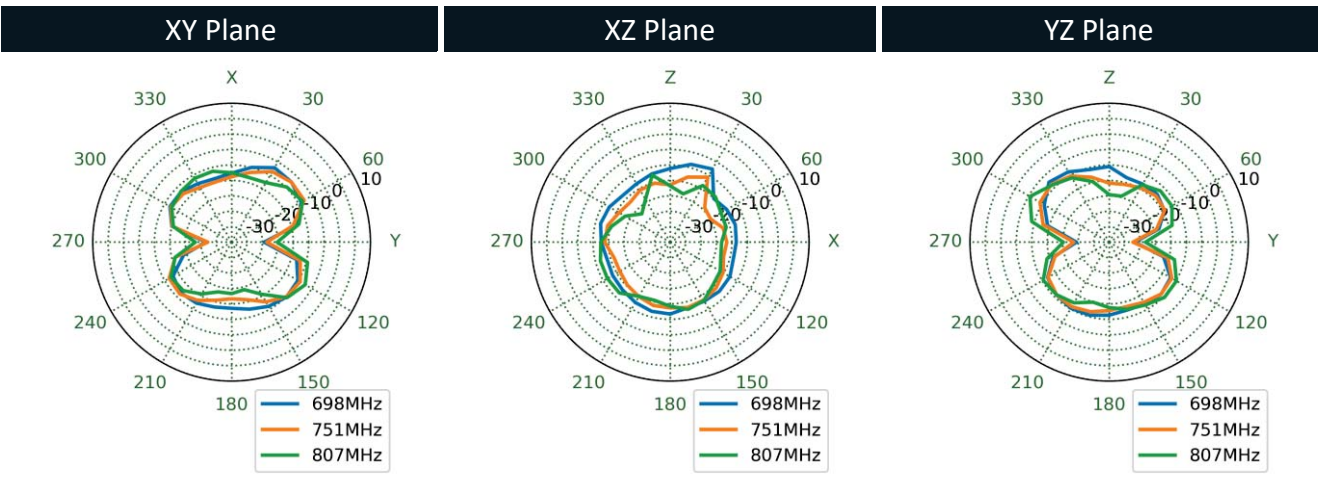
Straight 30x30cm Ground Plane Centre

4.10 Straight 30x30cm Ground Plane Centre 2D & 3D Radiation Patterns

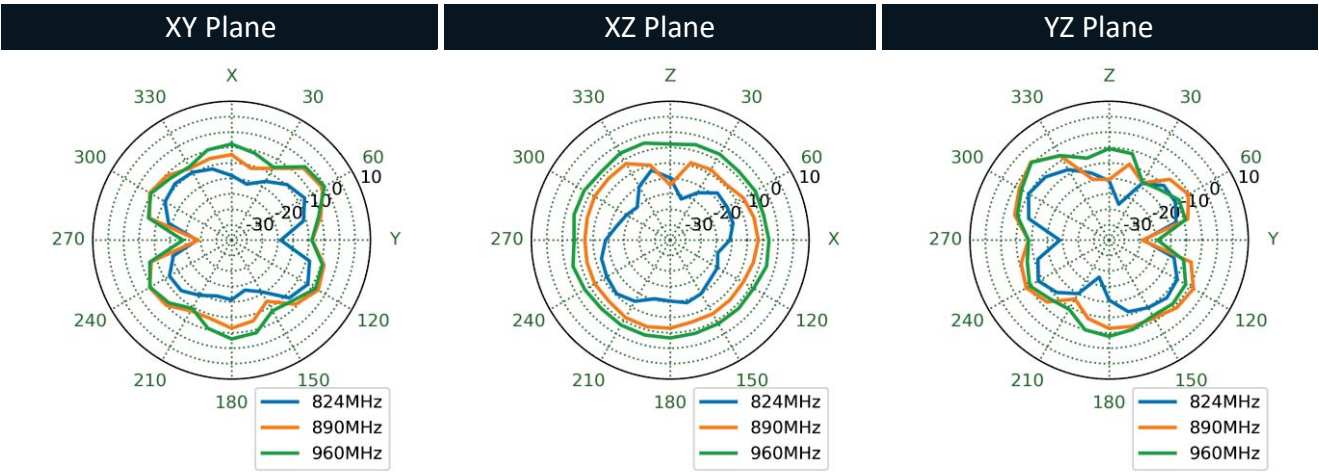
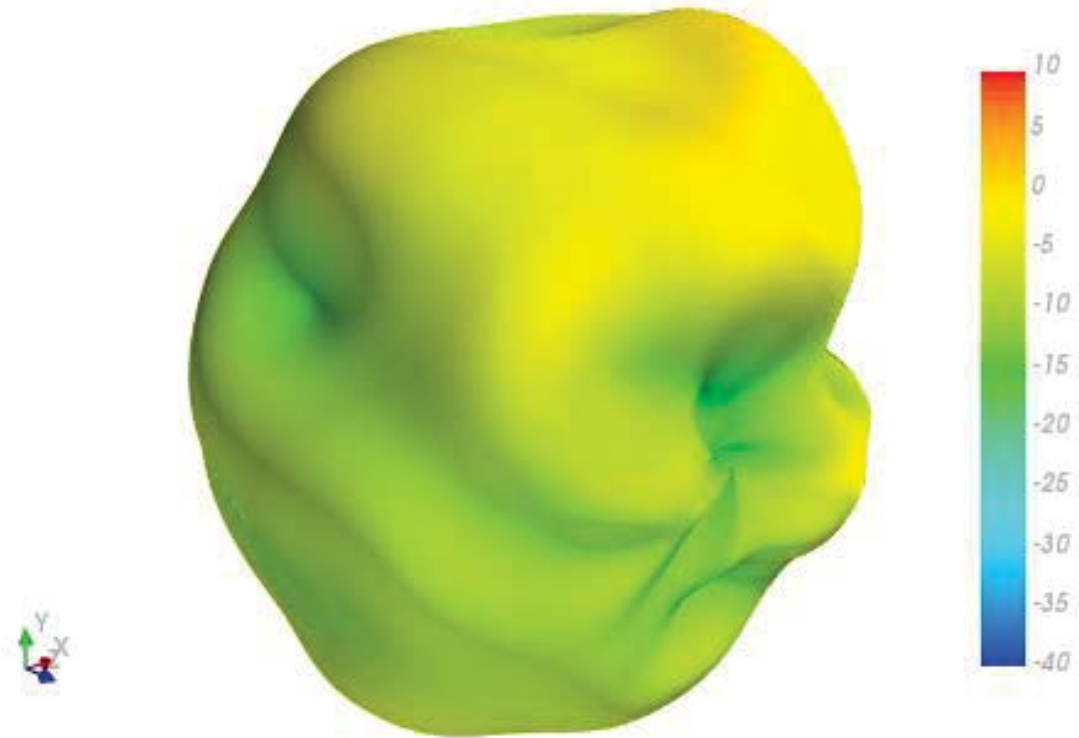
652MHz



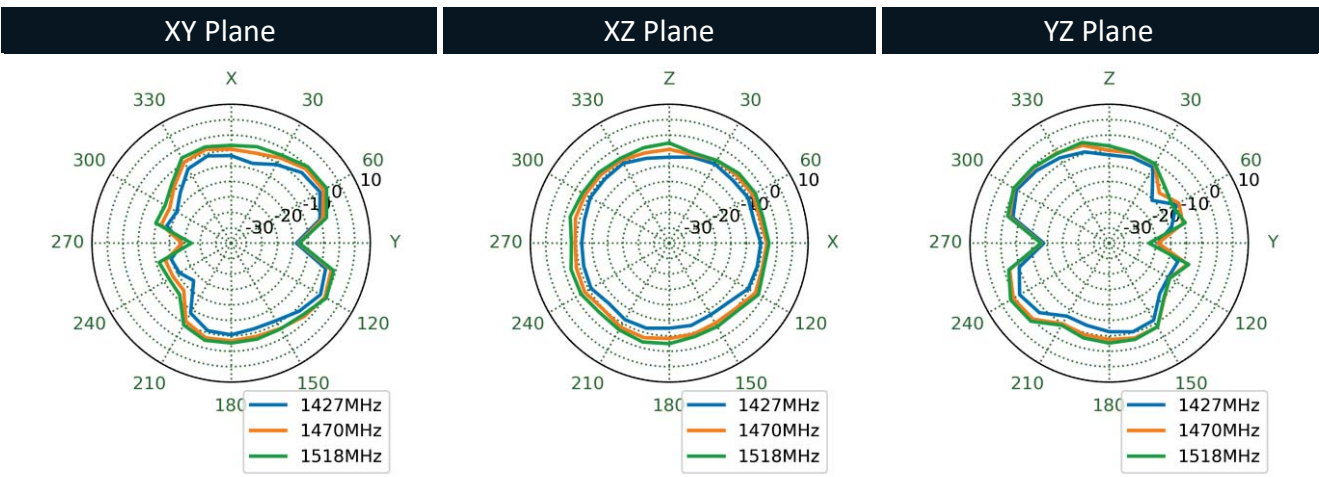
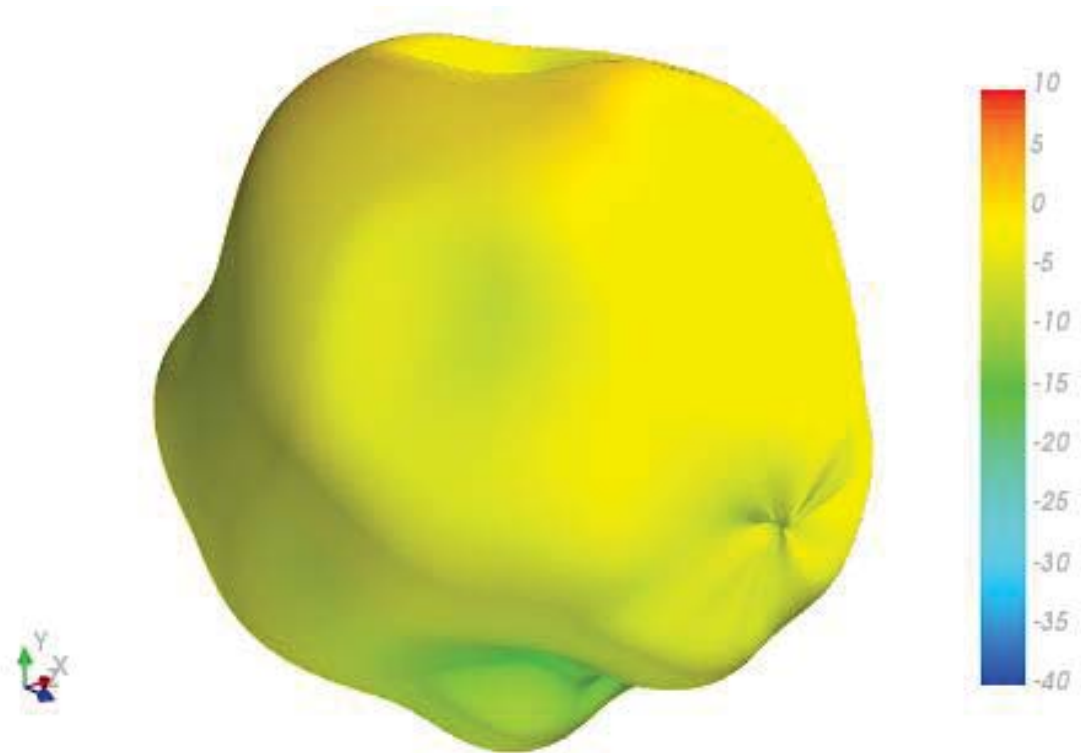
751MHz



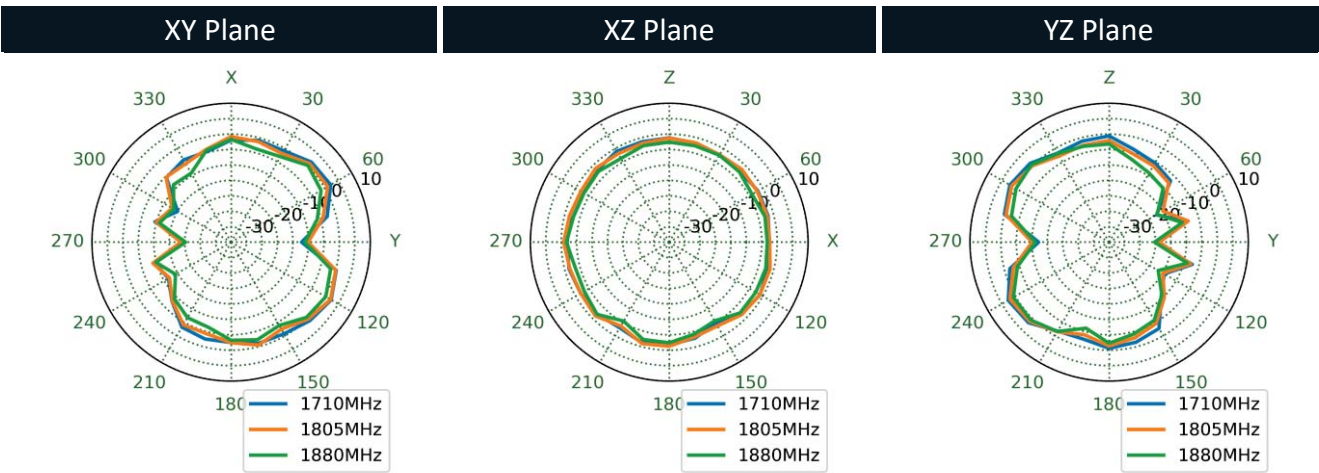
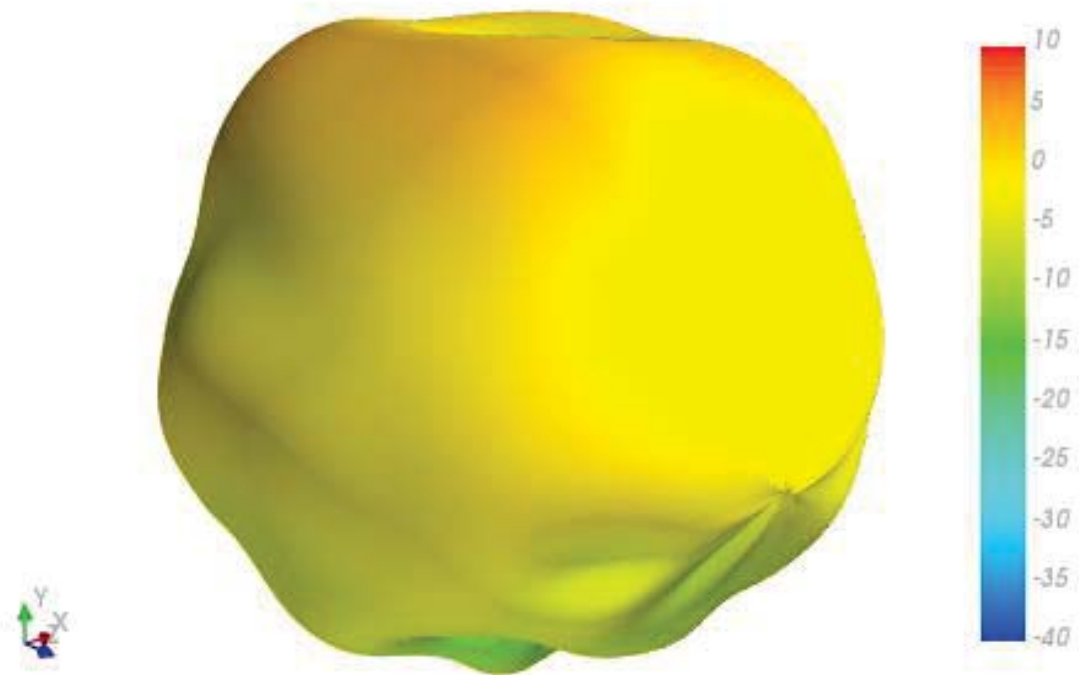
890MHz



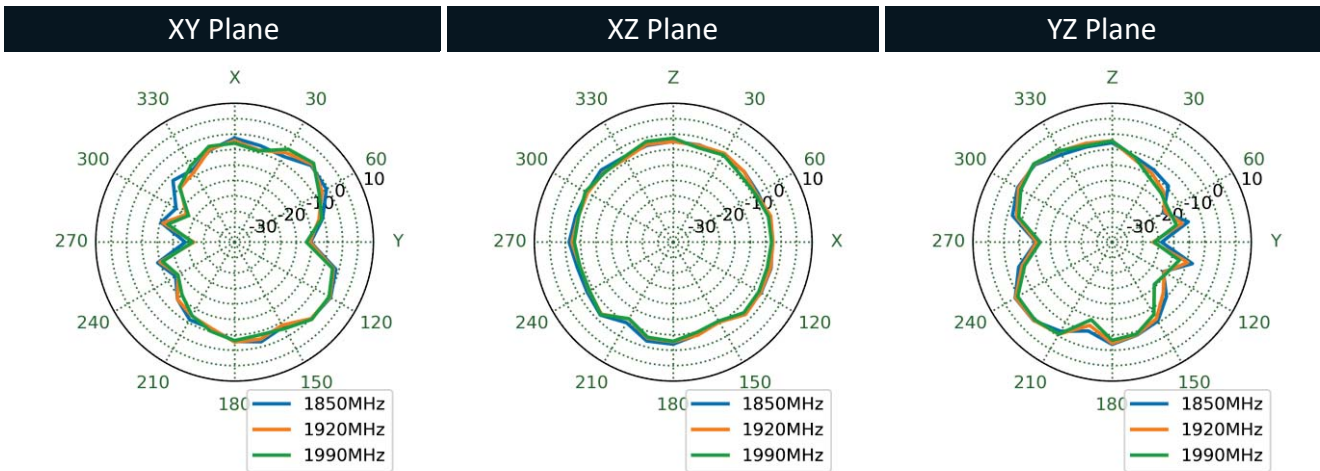
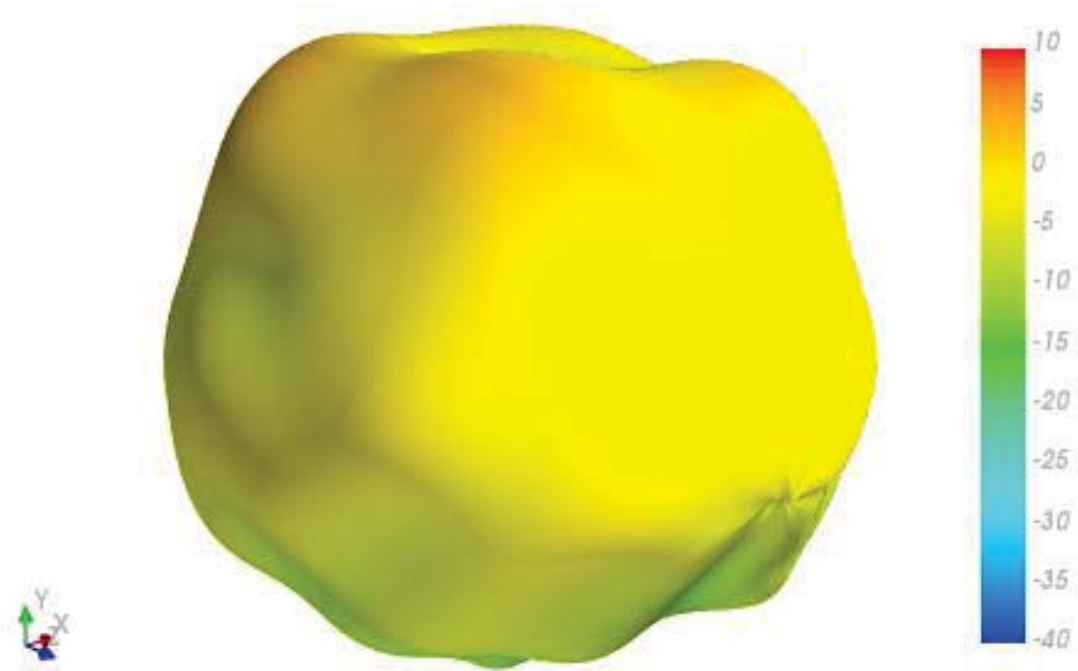
1470MHz



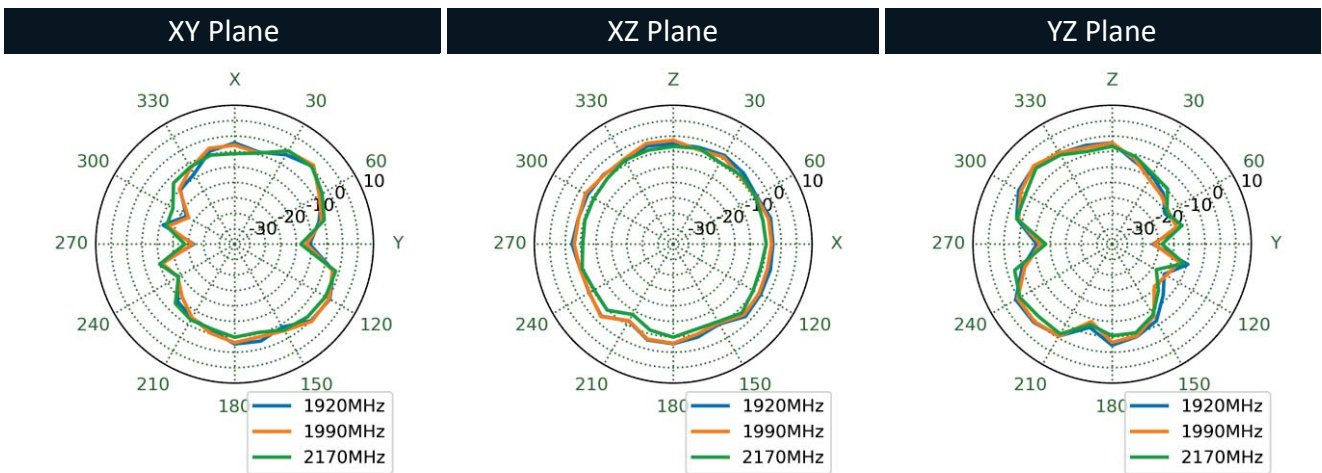
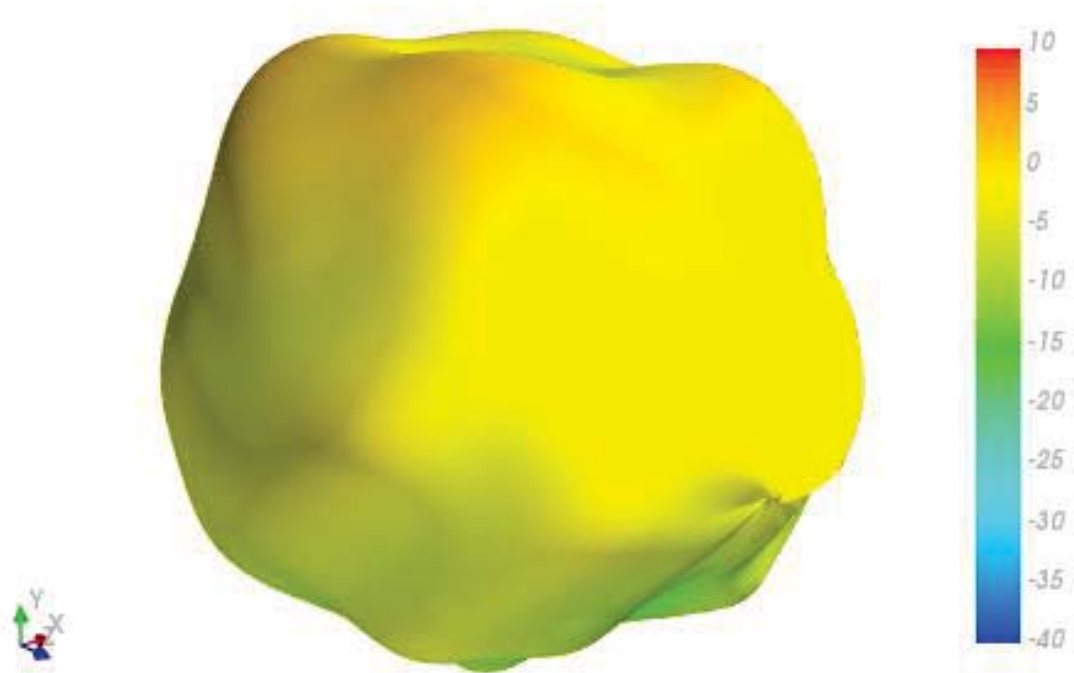
1805MHz



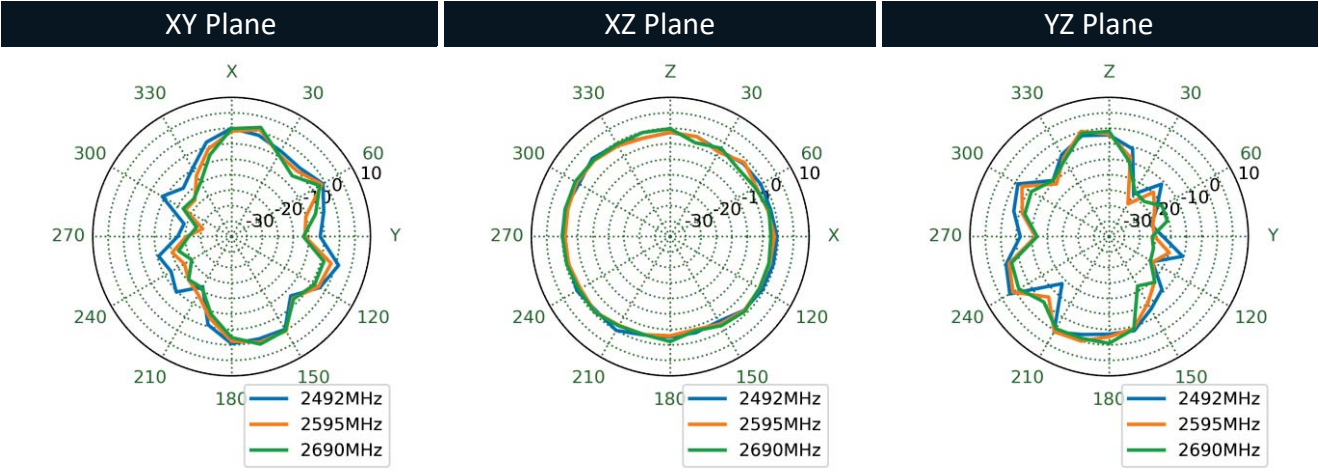
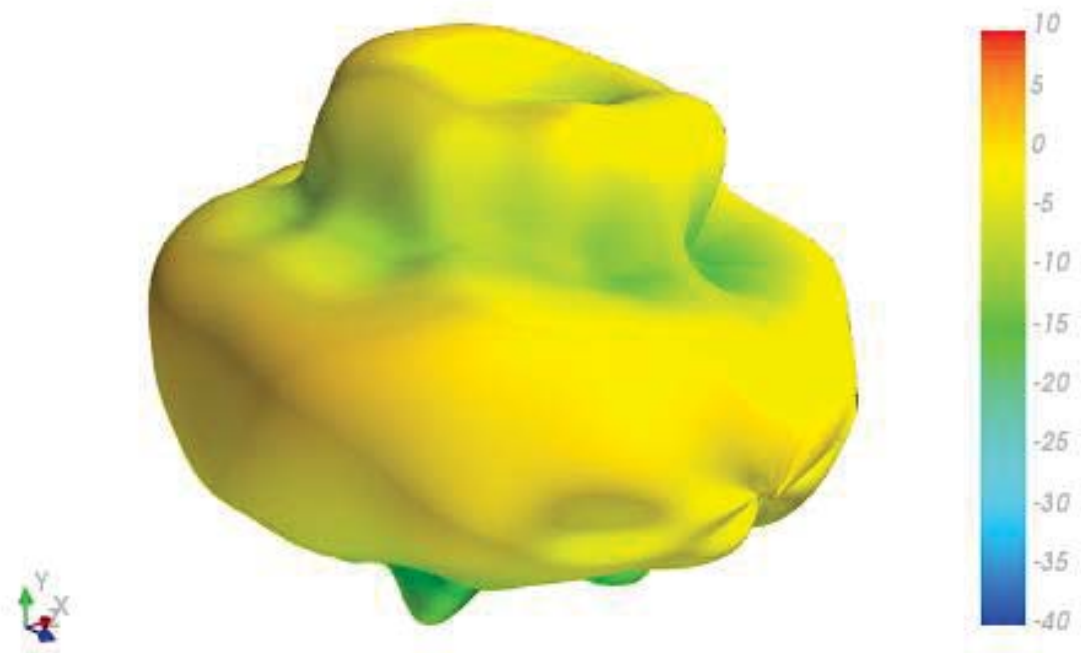
1920MHz



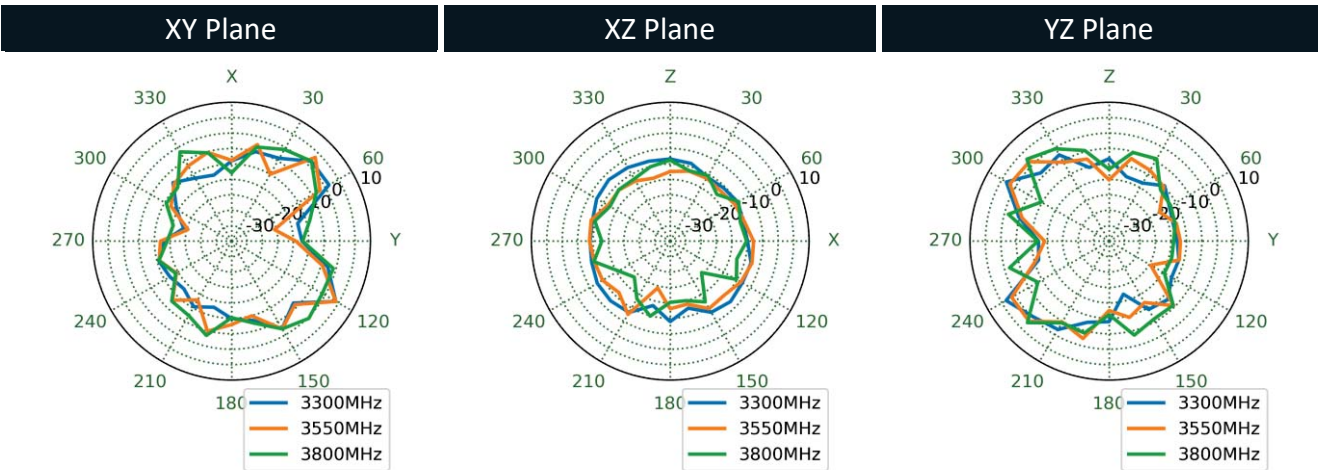
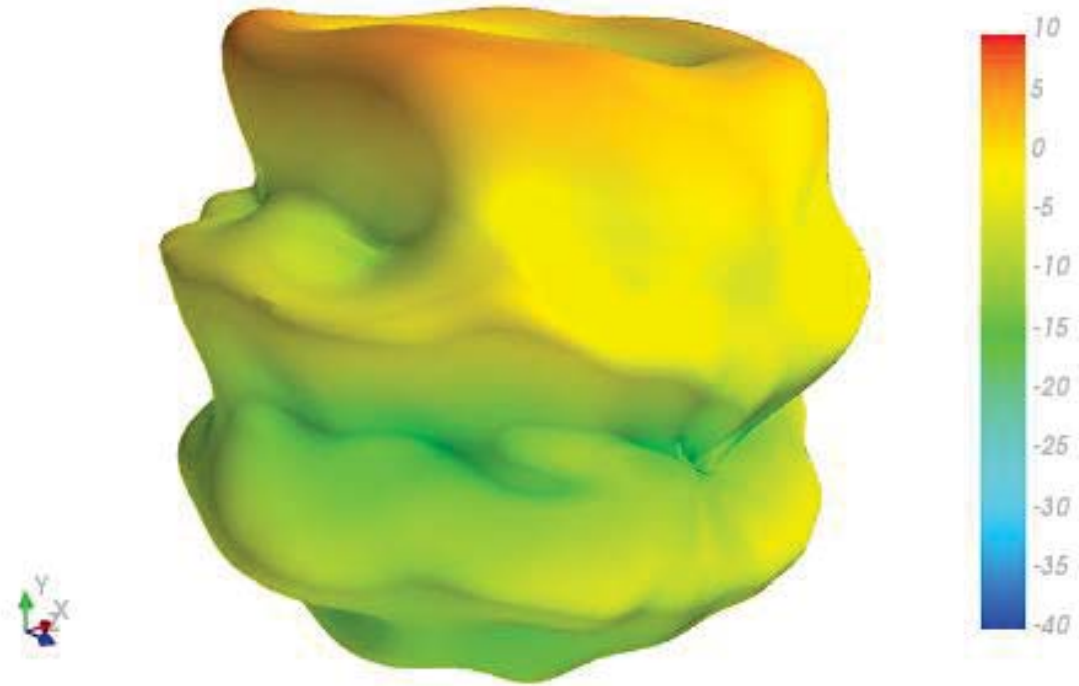
1990MHz



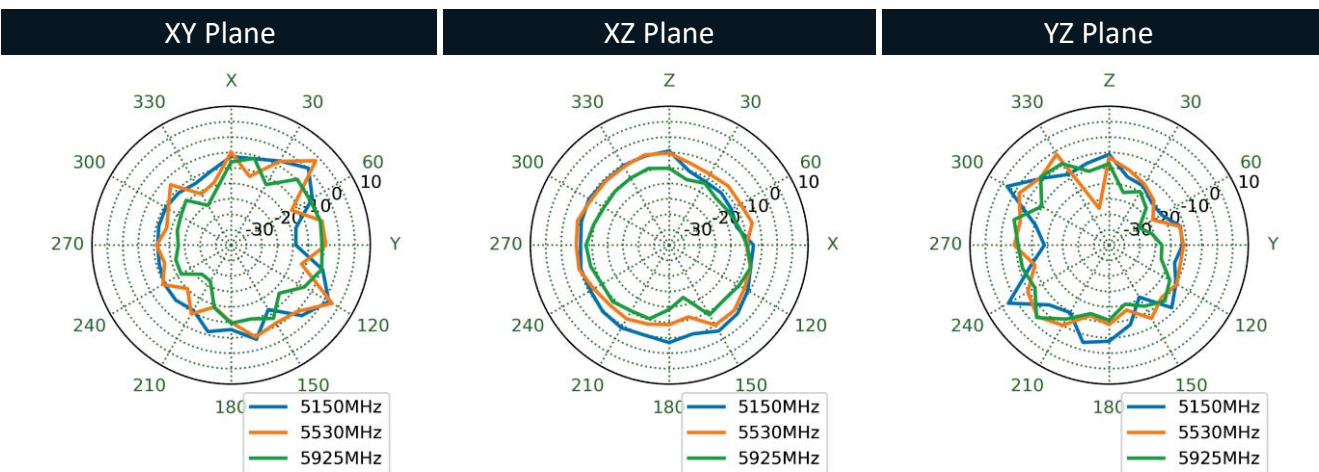
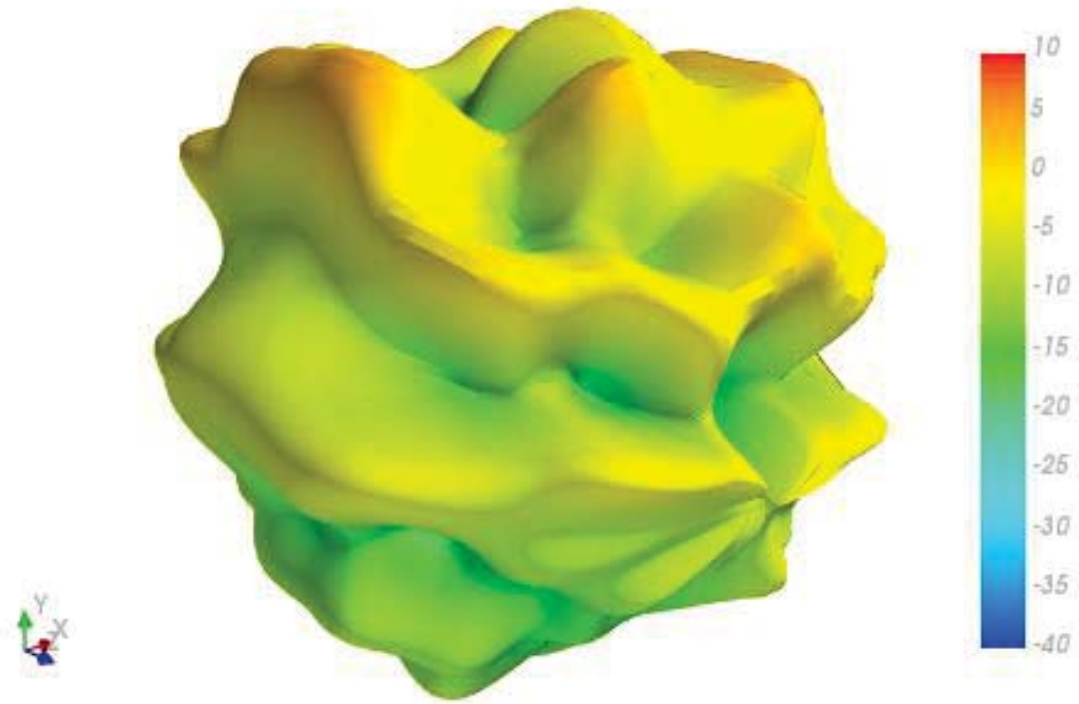
2595MHz



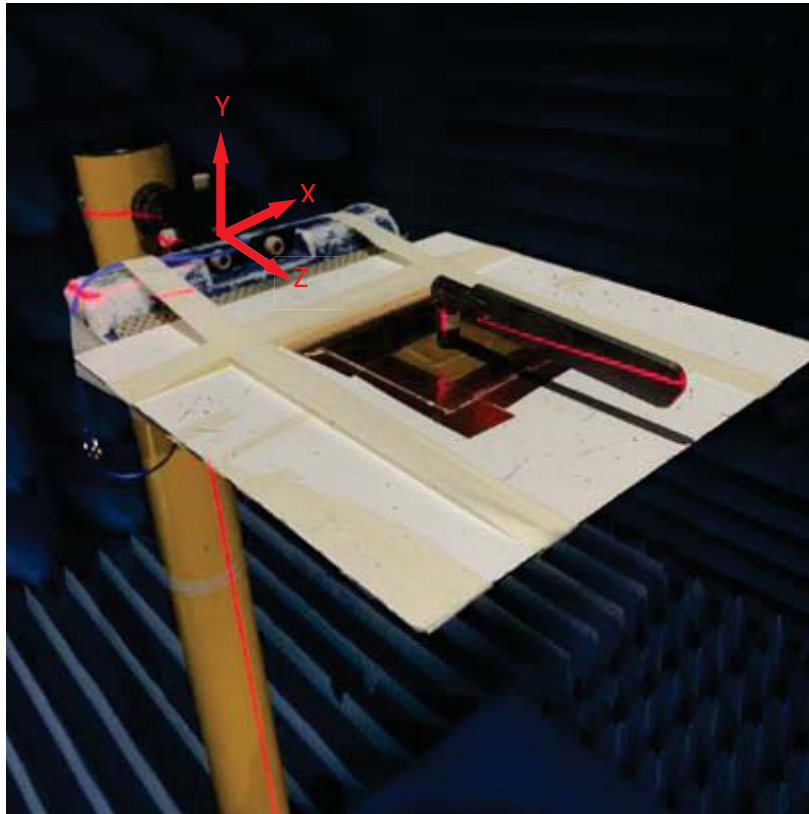
3550MHz



5530MHz



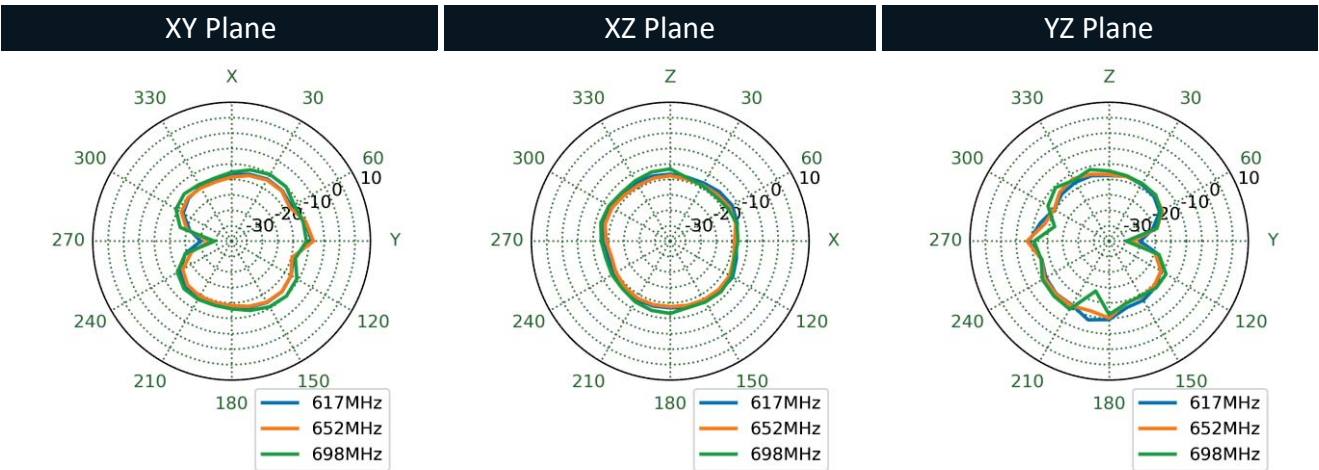
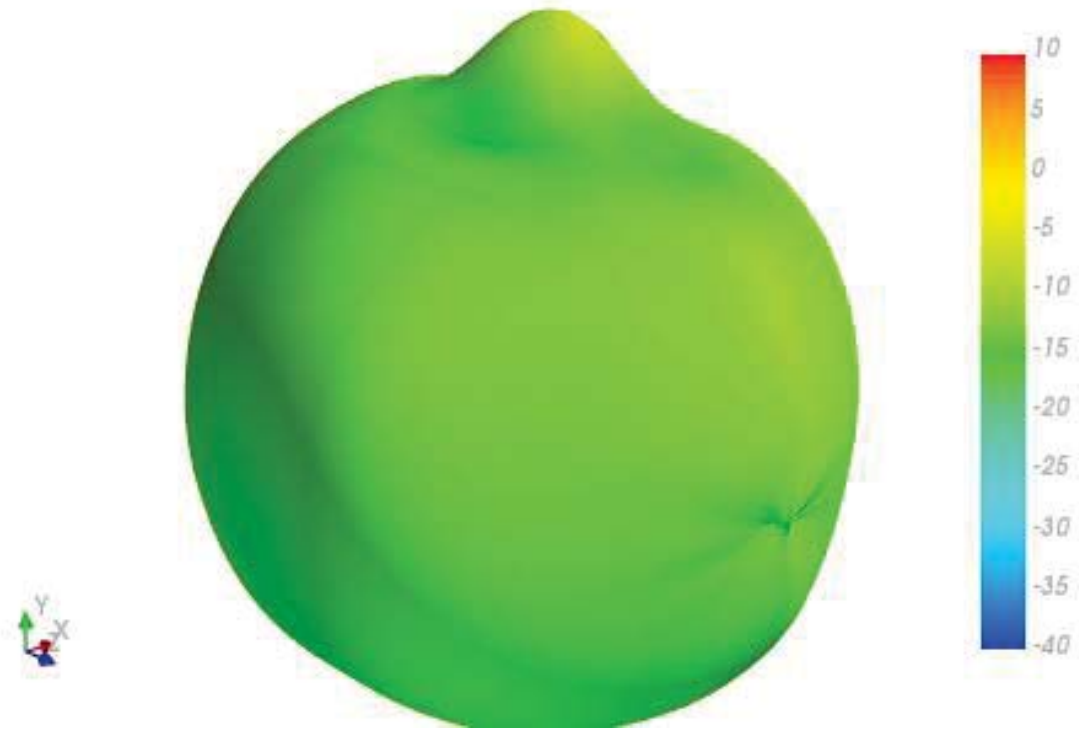
4.11 Test Setup



Bent 30x30cm Ground Plane Centre

4.12 Bent 30x30cm Ground Plane Centre 2D & 3D Radiation Patterns

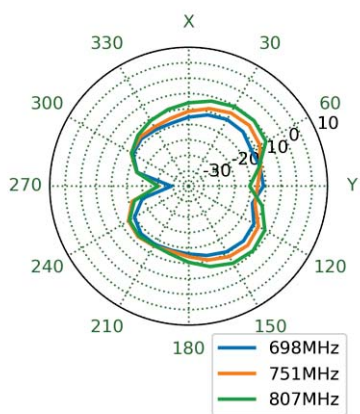
652MHz



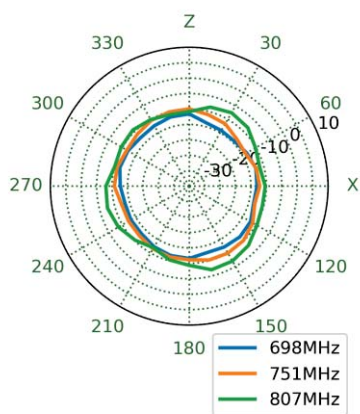
751MHz



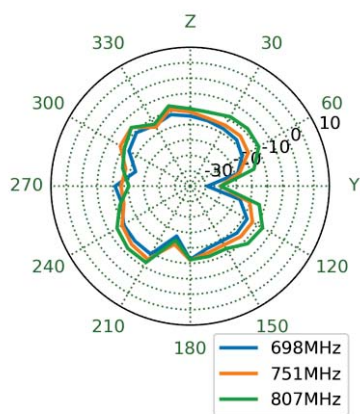
XY Plane



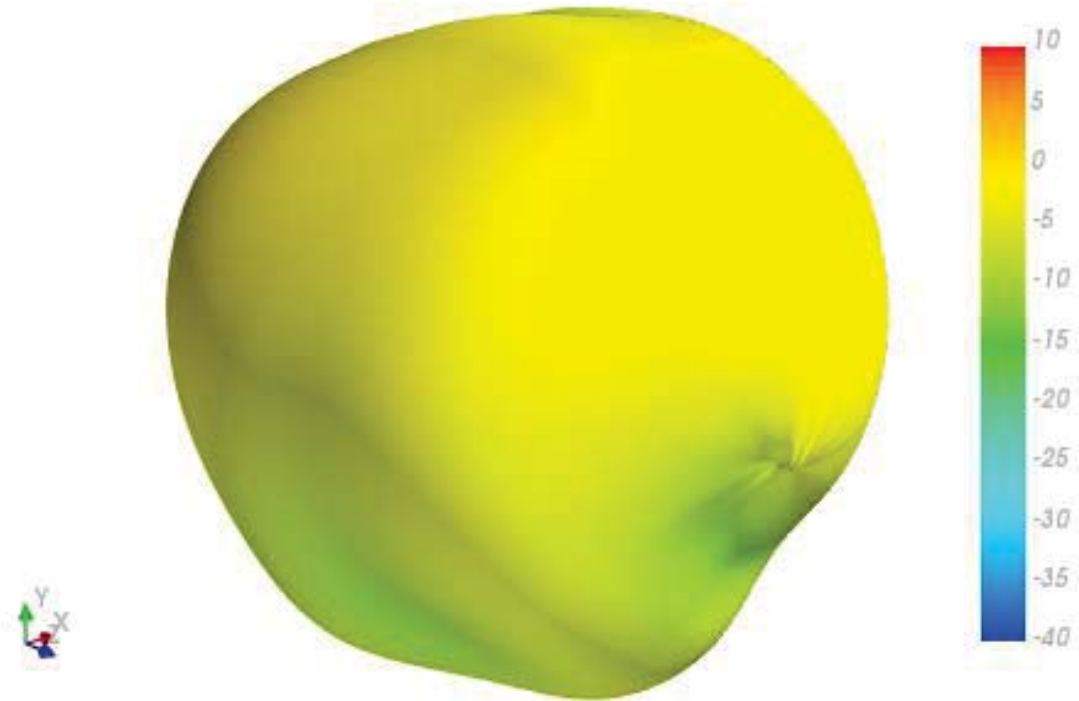
XZ Plane



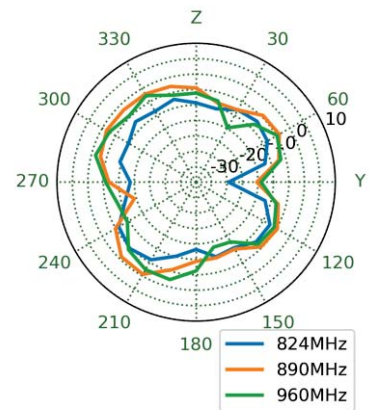
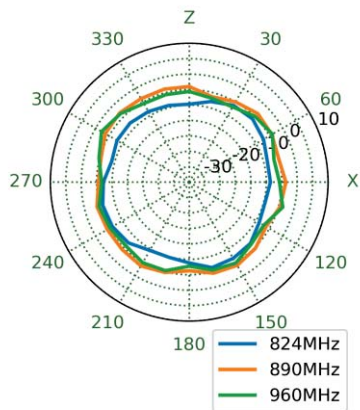
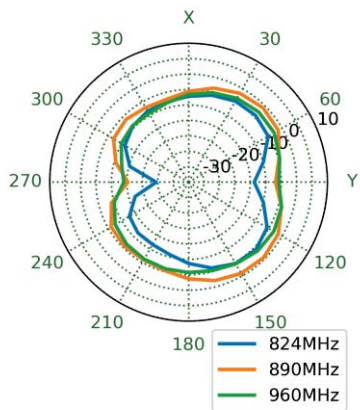
YZ Plane



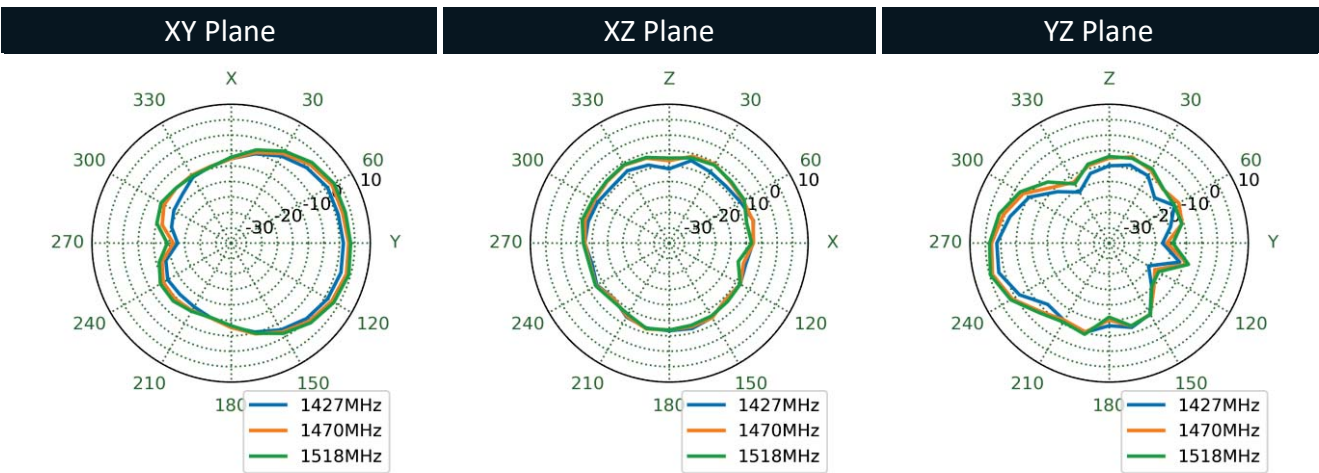
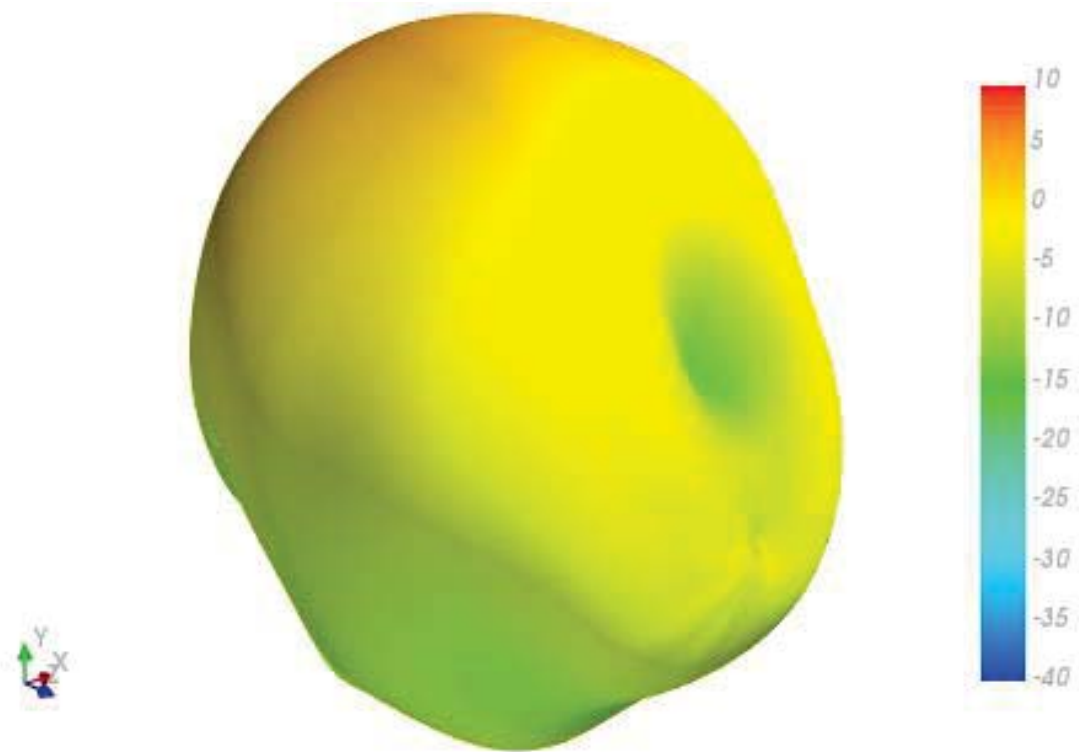
890MHz



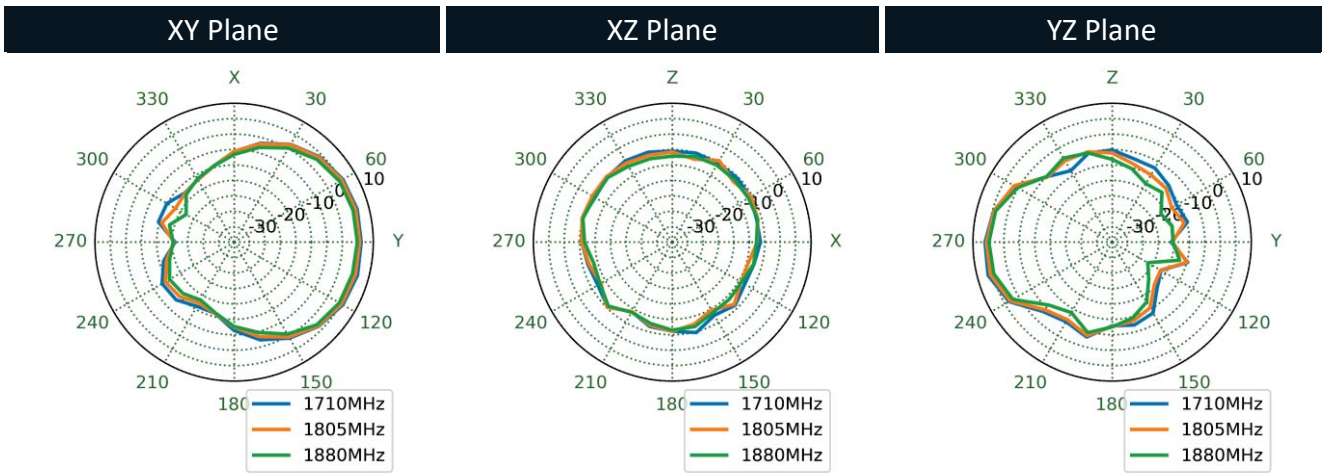
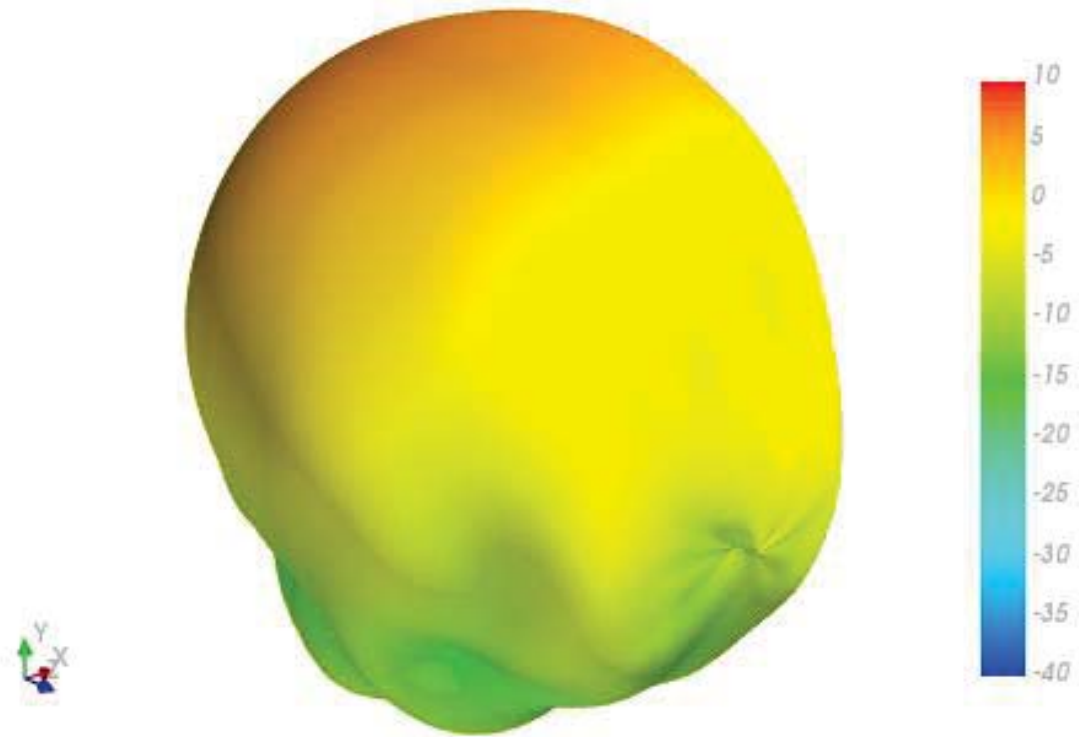
XY Plane XZ Plane YZ Plane



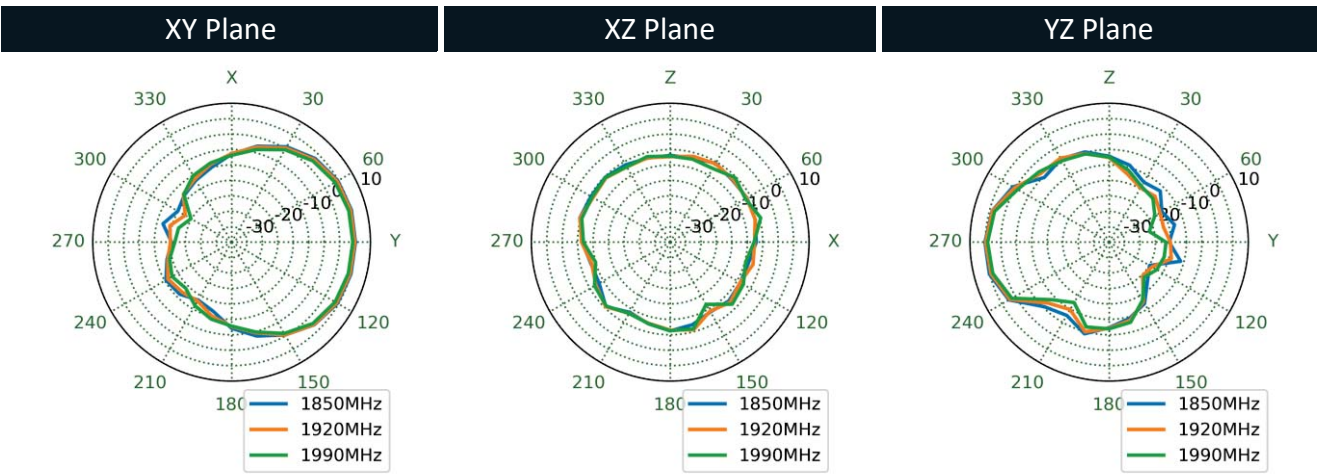
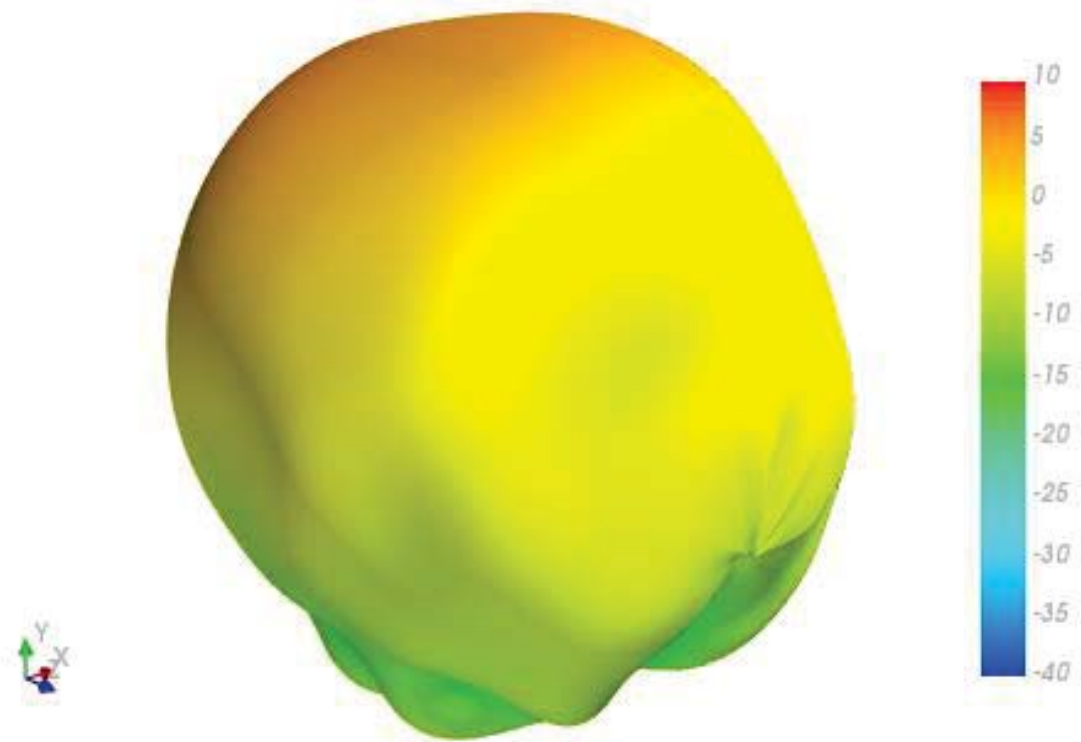
1470MHz



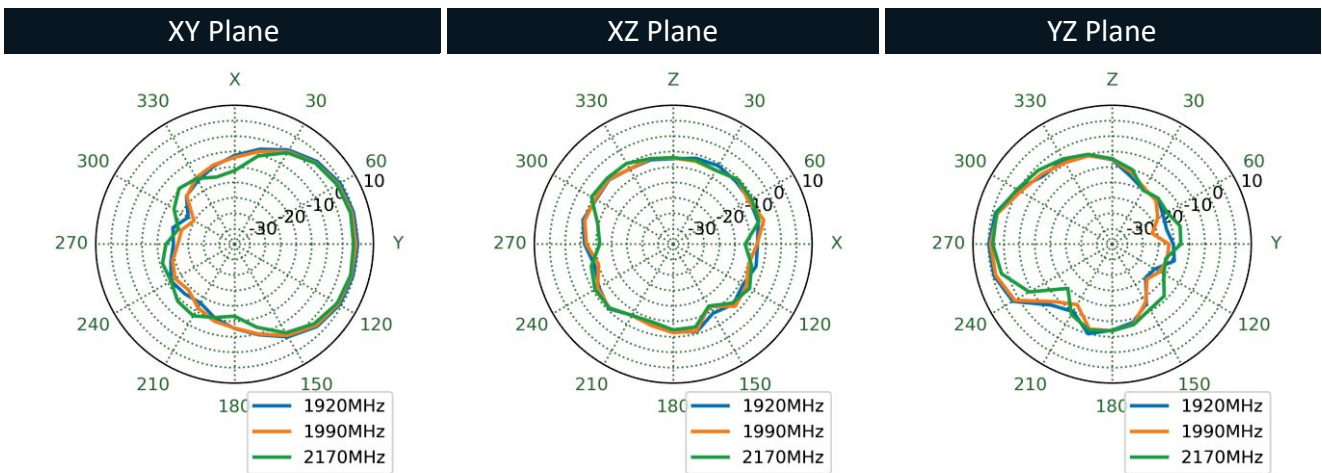
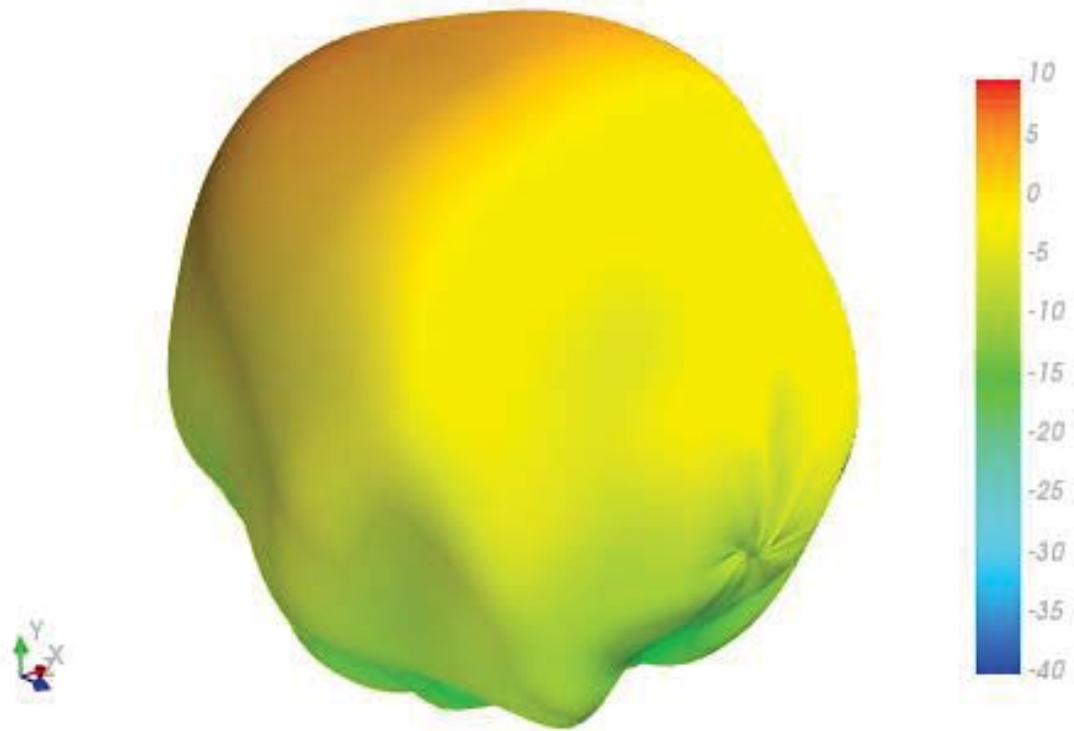
1805MHz



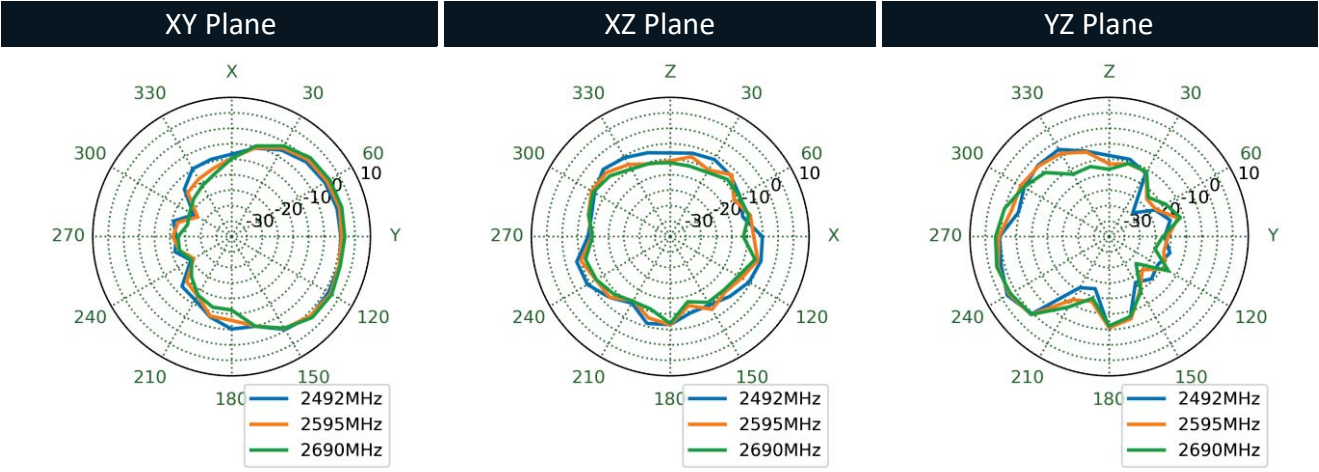
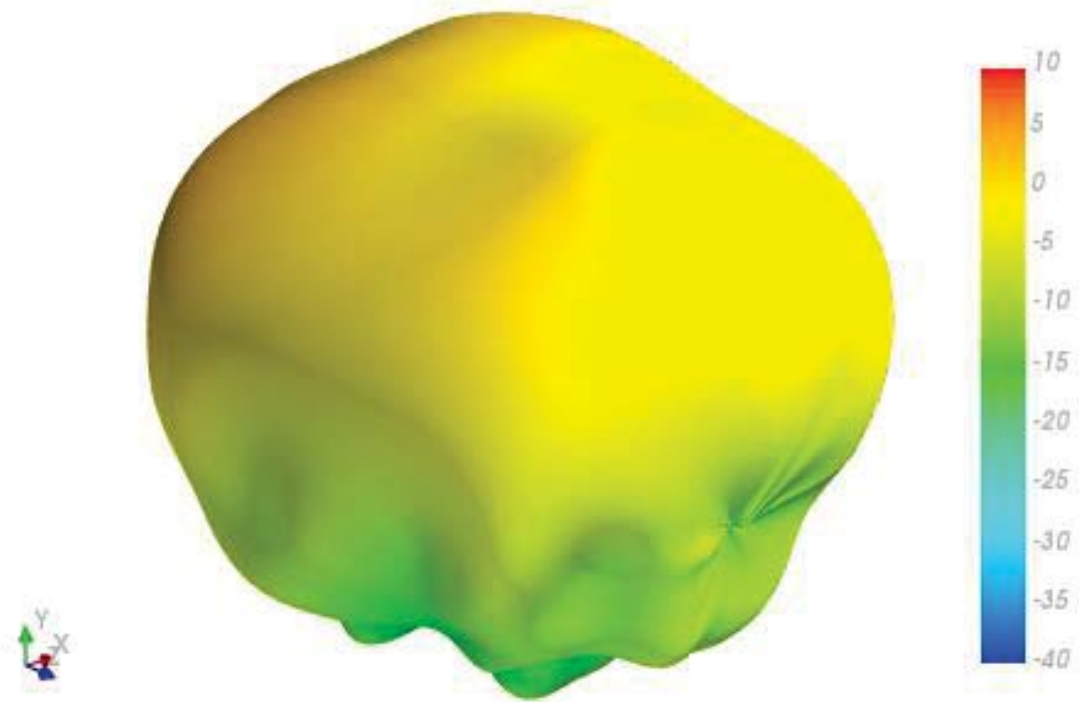
1920MHz



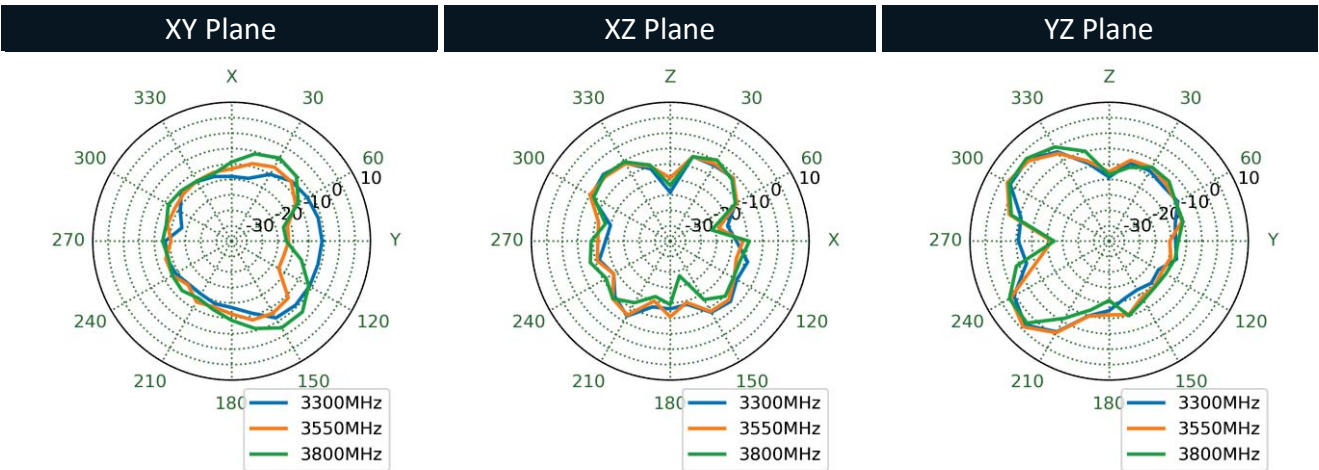
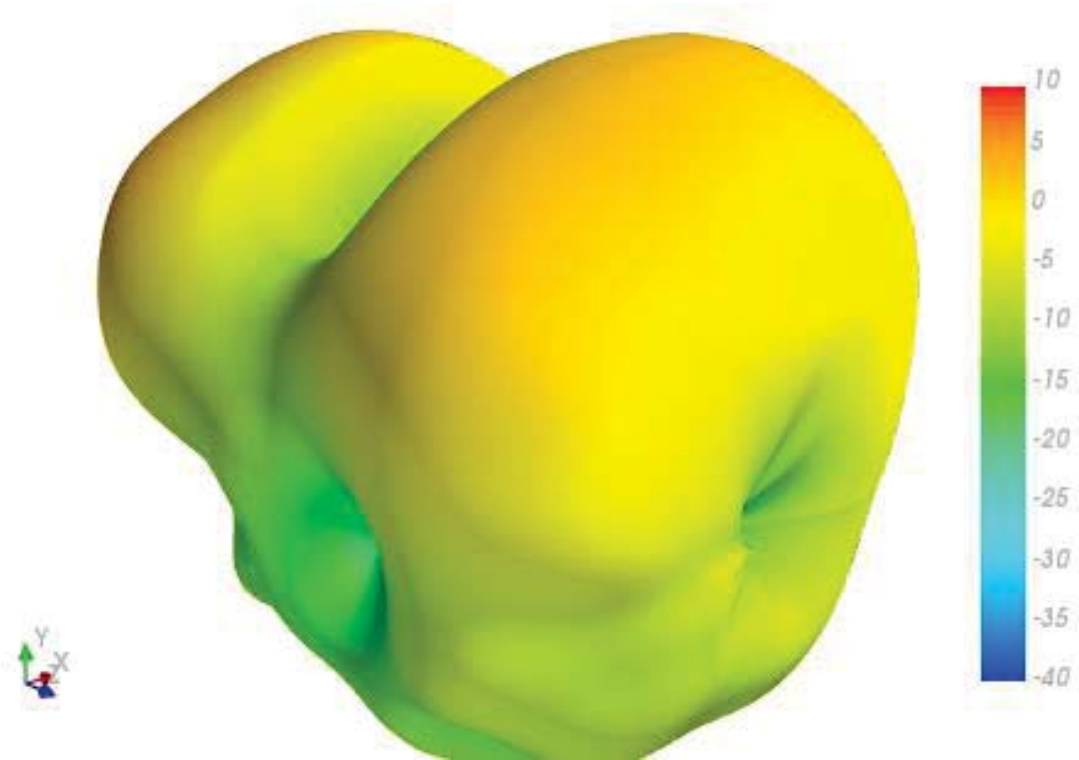
1990MHz



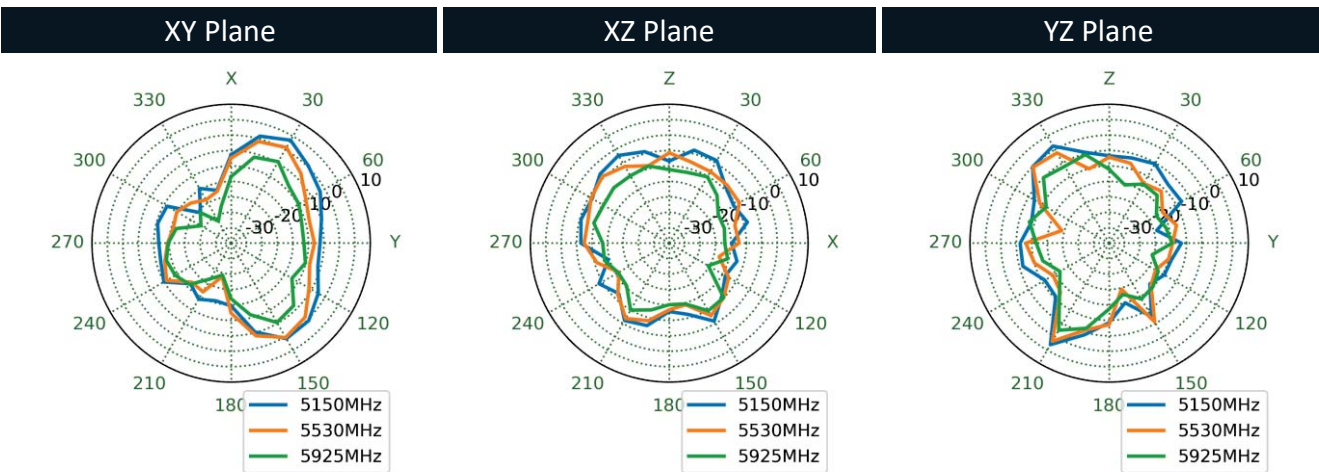
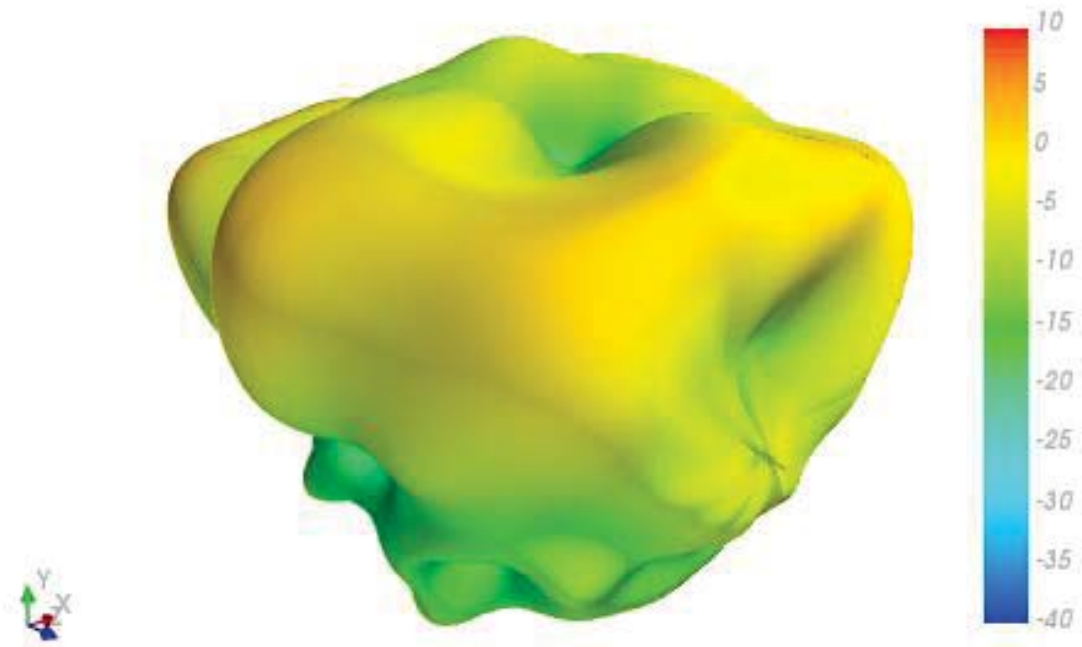
2595MHz



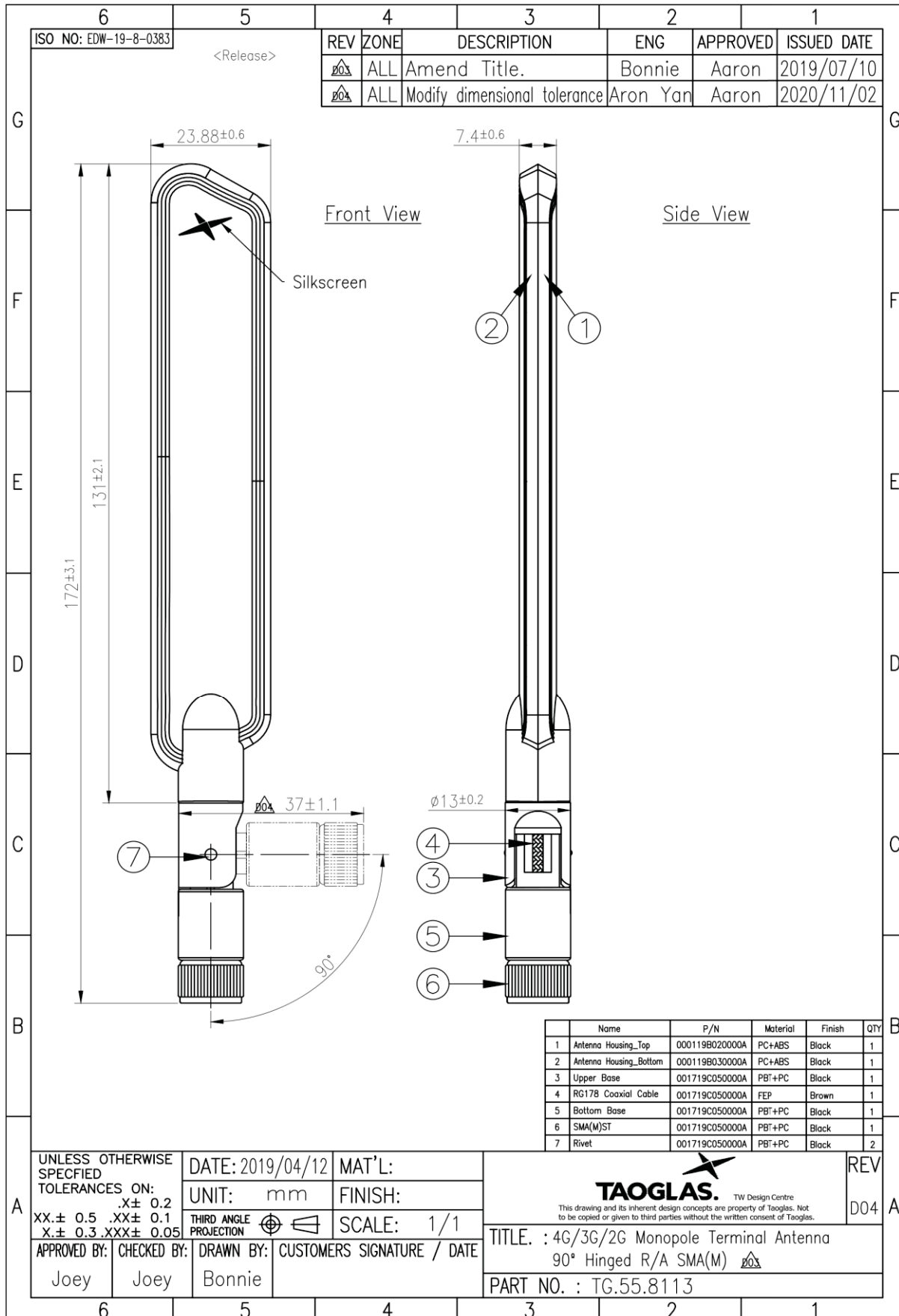
3550MHz



5530MHz

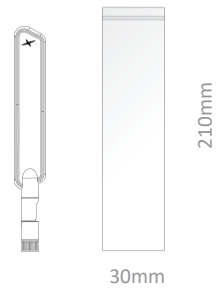


5. Mechanical Drawing (Units: mm)



6. Packaging

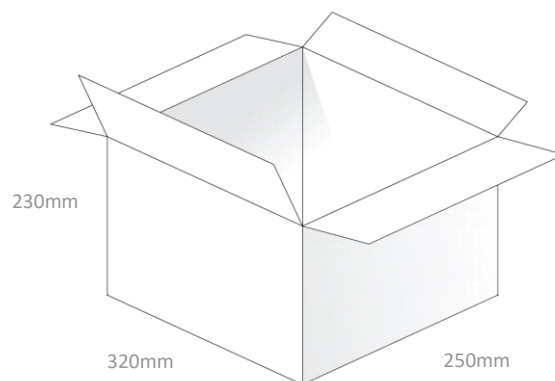
1pc TG.55.8113 per Small PE Bag
 Dimensions: 30*210mm
 Weight: 31g



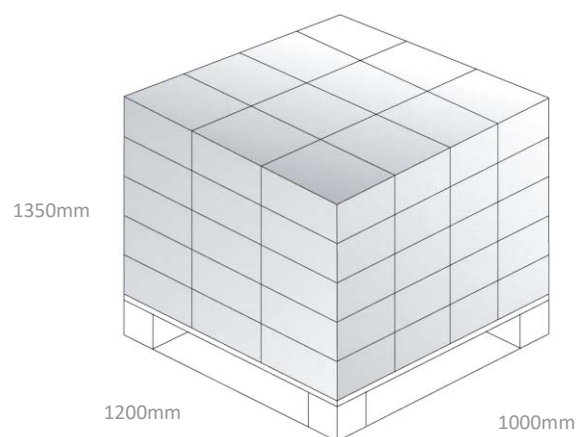
20pcs per Large PE Bag
 Dimensions: 180*265mm
 Weight: 620g



400pcs TG.55.8113 per Carton
 Carton Dimensions: 320*250*230mm
 Weight: 13Kg

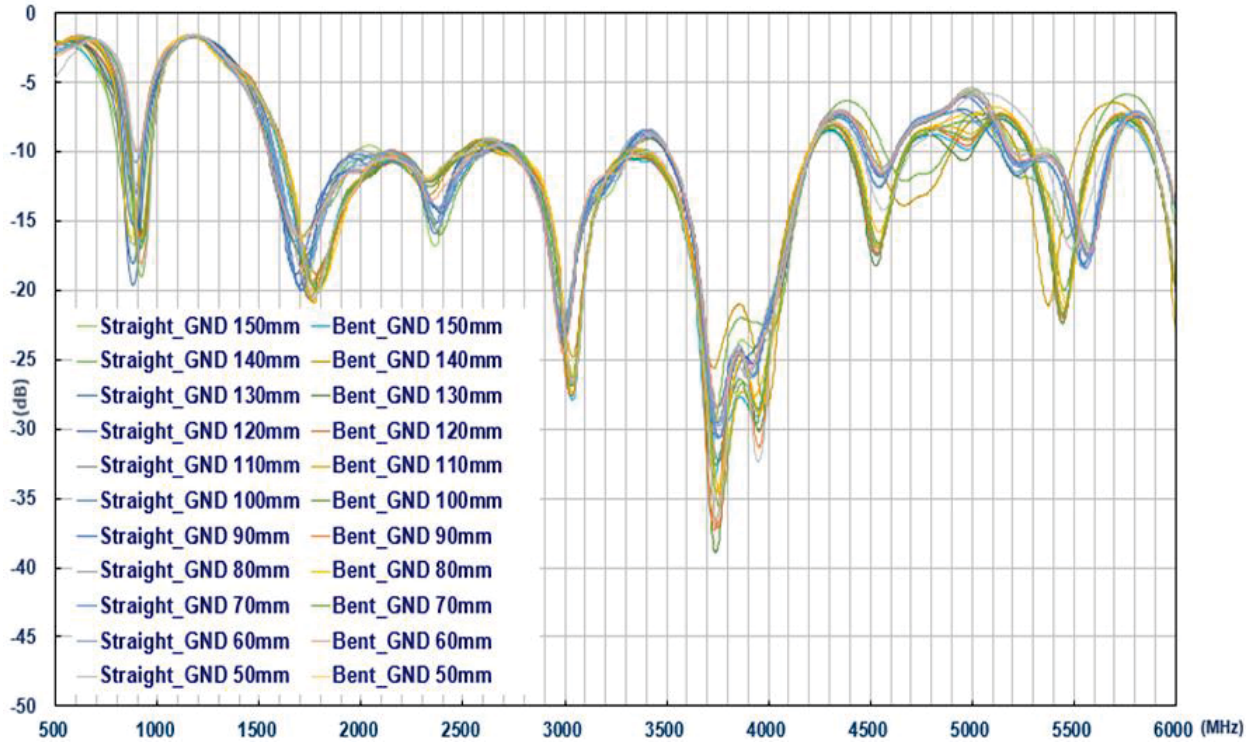


Pallet Dimensions:
 1200*1000*1350mm
 60 Cartons per Pallet
 12 Cartons per layer, 5 Layers

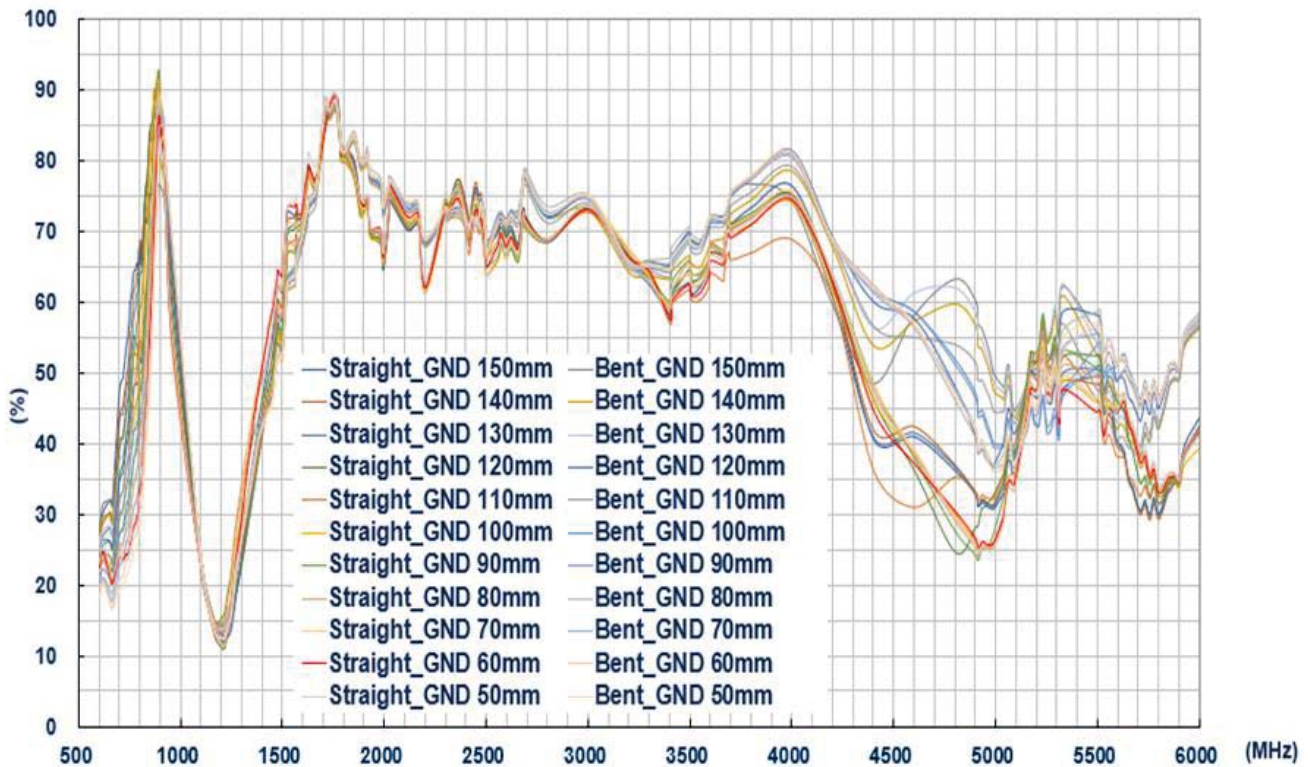


7. Application Note

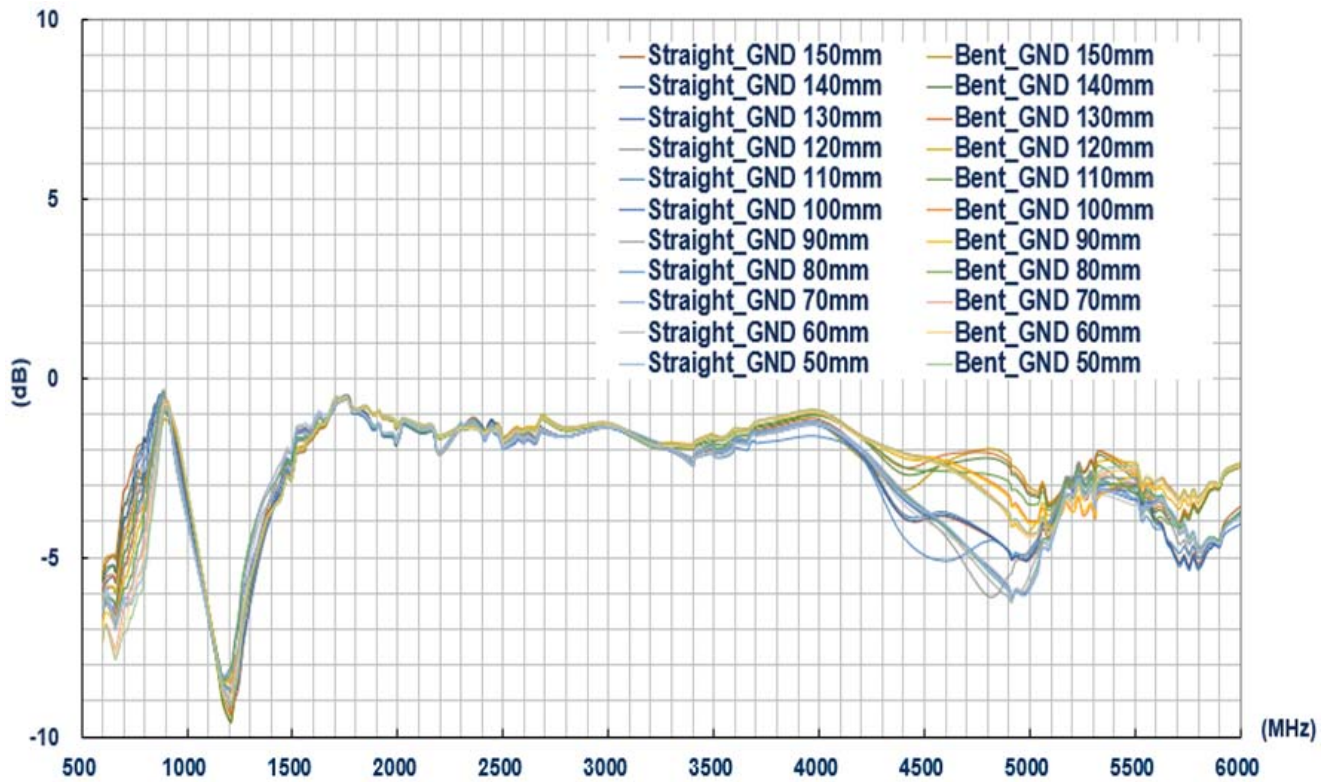
3.1 Return Loss



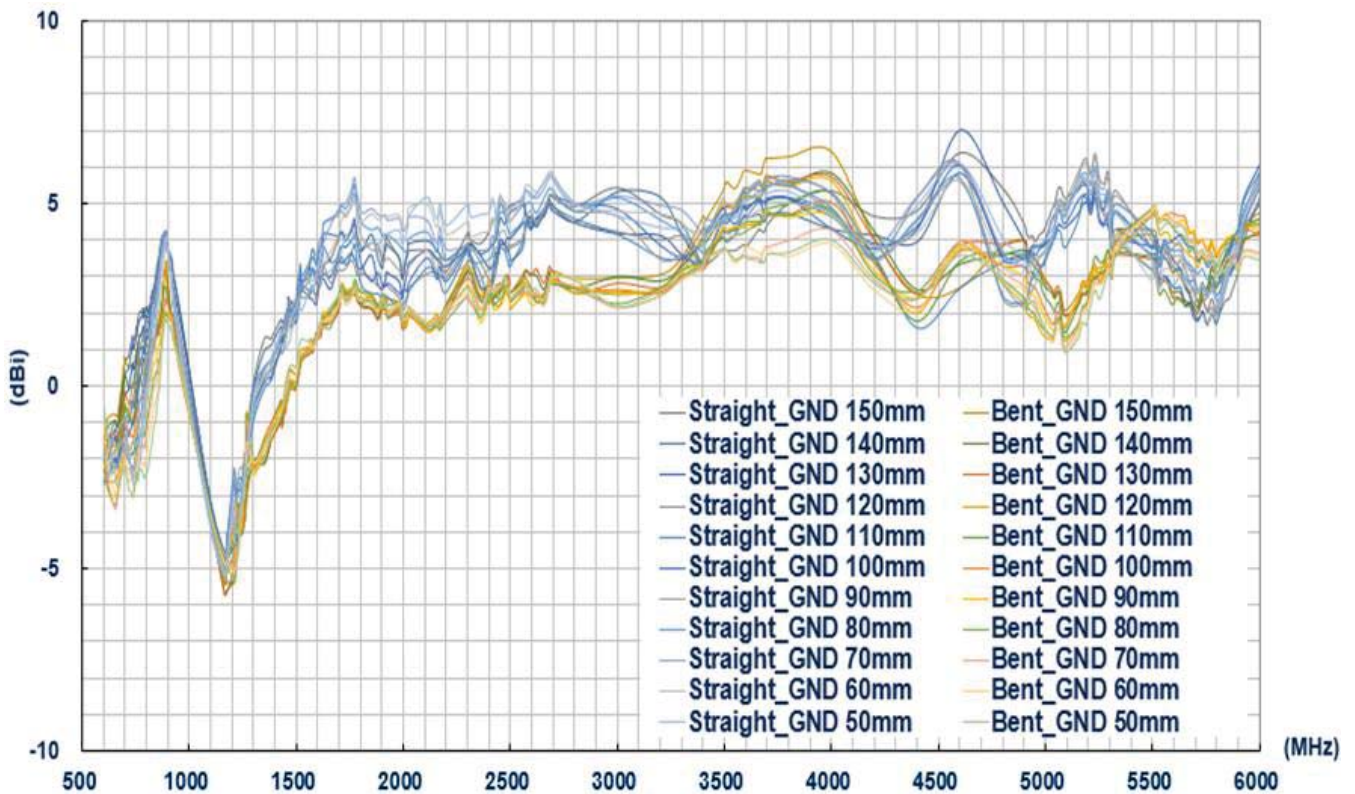
3.2 Efficiency



3.3 Average Gain



3.4 Peak Gain



Changelog for the datasheet

SPE-19-8-061 – TG.55.8113

Revision: D (Current Version)

Date:	2020-11-10
Changes:	Updated drawing
Changes Made by:	Jack Conroy

Previous Revisions

Revision: C

Date:	2019-10-16
Changes:	Updated data to include new ground planes
Changes Made by:	Jack Conroy

Revision: B

Date:	2019-08-29
Changes:	Updated description
Changes Made by:	David Connolly

Revision: A (Initial Launch)

Date:	2019-05-22
Changes:	Initial Specification Release
Changes Made by:	Jack Conroy



TAOGLAS[®]
www.taoglas.com