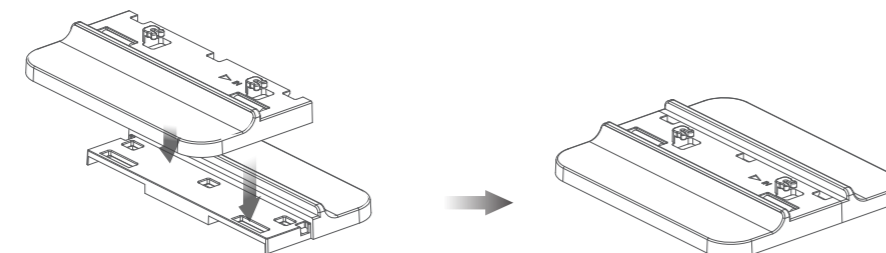


USB-C® Dock Dual 4K HDMI™

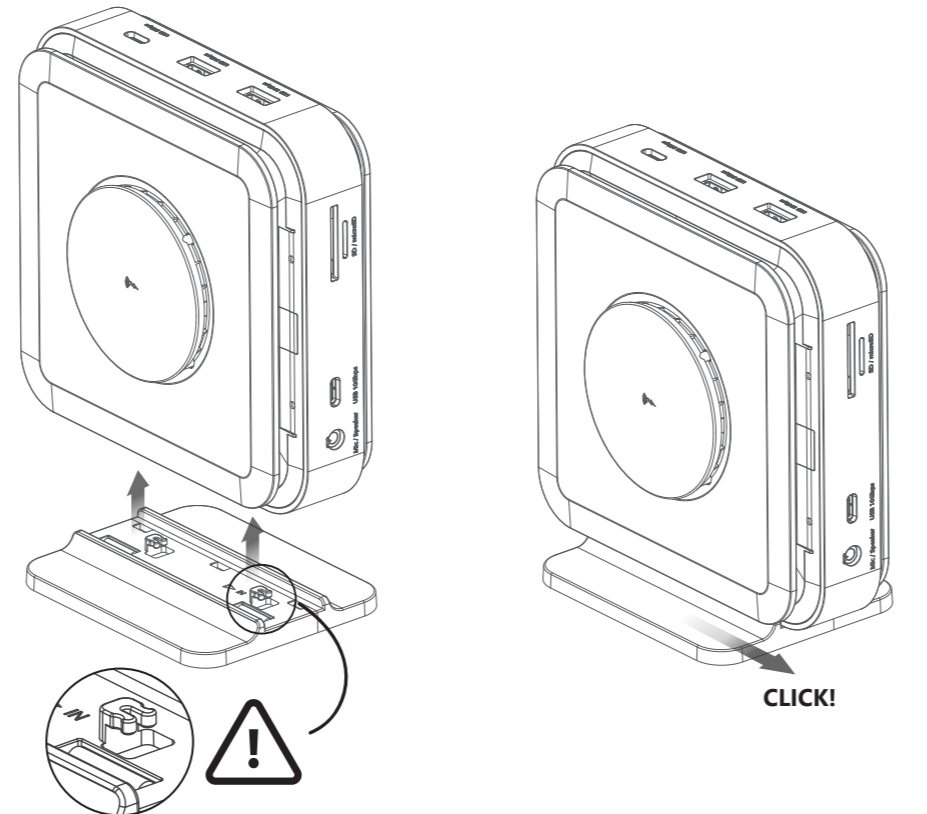
QUICK INSTALLATION GUIDE

■ Holder assembly:

Step 1



Step 2



■ Features

- Supports dual 4K HDMI™ (4K@60Hz + 4K@30 Hz)
- Supports Power Delivery 3.1 140W power in
- Reliable network connectivity via the Gigabit Ethernet
- Two USB™ 10Gbps and two USB™ 5Gbps ports for connecting peripherals
- Cable storage compartment
- Security lock
- Up to 15W max fast wireless charging. Compatible with iPhone® MagSafe®.
- * The wireless charging will not work without connecting a USB-C® power adapter.

■ System requirements

- Available USB-C® port that supports DisplayPort™ alternate mode and USB™ Power Delivery 2.0/3.0 or 3.1 Please refer to the manufacturer of your computer for more information about your device
- The host device must support DisplayPort™ 1.4 to achieve 4K resolution at 60 Hz

■ Special notes

- Driver installation is required for macOS® and Windows®. If the computer has network access and administrative rights, Windows® can automatically install the driver when the device is plugged in.
- In order for the computer to charge you must connect a USB-C® power adapter and the computer must support Power Delivery.
- If you are using high-powered USB™ devices, attach a USB-C® power adapter to the power delivery port to ensure maximum performance. To avoid disruption, do not remove the power adapter while copying files.
- We advise no more than one (1) bus-powered/portable external hard disk drive to be connected to the adapter at a time.
- The 15W wireless charging will only work when a USB-C® power adapter over 60W is connected to the dock.
- -Please check the bottom of the product for marking information

■ Windows® 11/10 - Display Driver Installation

The driver will automatically download & install on Windows® 11/10 devices when the device is plugged into the computer. (Plug & Play requires internet access and administrative rights)

Step 1: Download Driver From Our Website

For manual installation, keep the device unplugged. You can download the latest driver at <https://www.mct.com.tw/> under Support > Downloads/Drivers, then search for the product by entering the model number or by scrolling down to your product and clicking on the Windows® driver button.

Step 2: Install Driver

Click on the file that should appear near the bottom left or top right of your web browser to begin installation, then follow the prompts that appear (You may have to navigate to your Downloads folder to open the file to begin installation). To navigate to the Downloads folder, click on the Windows® icon at the bottom left corner (Windows® 10) or center (Windows® 11) of your screen then search for Downloads, and open the file).
* If possible, open the file as an administrator by right clicking the file and selecting "Run as administrator.", otherwise try double-clicking the file.

Step 3: Restart Device

Once the installation has completed, click "Restart" to finish installing the software. After your computer has restarted, connect the device to the computer, then connect your displays, peripherals, and/or power adapter (optional) to the device. Now you are ready to use your device!

Step 4: Display Settings (Optional)

You can configure and rearrange your displays through the Windows® display settings. To access the display settings, right-click on the desktop/wallpaper and select "Display Setting" from the menu that appears.

Step 5: Select Sound Device(Optional)

You may need to select your sound device afterwards, do so click on the Windows® icon at the bottom left corner (Windows® 10) or center (Windows® 11) of your screen then search for Control Panel > Hardware and Sound > Sound > from here you can select your default speakers and microphone. Right-click on your desired device for extra options. Select "Default Device" to set your default audio playback device or select "Set as Default Communication Device" to select your default microphone.

■ macOS® 10.14 or later - Display Driver Installation

Do NOT plug the USB™ display device into the computer until instructed for simpler install

Step 1

Make sure the device is unplugged from the Mac®, and download the latest driver from <https://www.mct.com.tw/> under Support > Downloads/Drivers then search for the product by entering the model number or by scrolling down to your product and clicking on the macOS® "DOWNLOAD" button that corresponds to the macOS® version your Mac® is running (to find your macOS® version, click on the Apple® icon at the top left, then click "About this Mac®").

Step 2

Open Finder, then select "Downloads", locate, and double click the file named "USB_Video_Adapter_Driver_(Version).dmg". Right-click or 2-finger click the .pkg file (it will have an icon of an opened box). The installation window will appear, continue through the steps within the window.

Step 3 (For M-series Mac® computers 2020 OR LATER otherwise skip to Step 4)

If your Mac® is using Apple® silicon then you may receive a prompt to install Rosetta which is required for install to work, click the "Install" button, enter your password then click "Install Software".
*Note: This Step may not occur if Rosetta is already installed and will not occur if your Mac® has an Intel® processor.

Step 4

At the beginning of the installation you will be prompted to enter your password. Enter your password then click "Install Software". After the installation has finished click on "Restart" and a prompt will appear asking if you want to move the Installer to the Trash (which option you choose won't affect the install but will keep or remove the installer in your downloads folder). After you select an option, the computer will restart.

Step 5 (Only applies to macOS® 13 or later)

Plug in the device. You will then see a prompt that reads "Allow accessory to connect?", click on "Allow".

限用物質含有情況標示聲明書

Declaration of the Presence Condition of the Restricted Substances Marking

設備名稱：USB-C PD3.1 雙4K無線充電多功能擴充基座 型號(型式)：C3-D9192						
Equipment name Type designation (Type)						
單元Unit	限用物質及其化學符號 Restricted substances and its chemical symbols					
	鉛 Lead (Pb)	汞 Mercury (Hg)	鎘 Cadmium (Cd)	六價鉻 Hexavalent chromium(Cr ⁶⁺)	多溴聯苯 Polybrominated biphenyls(PBB)	多溴二苯醚 Polybrominated diphenyl ethers (PBDE)
電路板	○	○	○	○	○	○
外殼	○	○	○	○	○	○
線材	○	○	○	○	○	○
配件	○	○	○	○	○	○
備考1. ¹ 超出0.1 wt % ¹ 及 ² 超出0.01 wt % ² 係指限用物質之百分比含量超出百分比含量基準值。 Note 1: “Exceeding 0.1 wt %” and “exceeding 0.01 wt %” indicate that the percentage content of the restricted substance exceeds the reference percentage value of presence condition.						
備考2. ³ ○ ³ 係指該項限用物質之百分比含量未超出百分比含量基準值。 Note 2: “○” indicates that the percentage content of the restricted substance does not exceed the percentage of reference value of presence.						
備考3. ⁴ — ⁴ 係指該項限用物質為排除項目。 Note 3: The “—” indicates that the restricted substance corresponds to the exemption.						

Magic Control Technology Corp.

10F., No.123, Zhongcheng Rd., Tucheng Dist., New Taipei City 236, Taiwan R.O.C.

Tel : + 886-2-2268-9300

Website : www.mct.com.tw

Revision1_20231106

製造商：茂傑國際股份有限公司
製造商：236 新北市土城區忠承路123號10樓

取得審驗證明之低功率射頻器材，非經核准，公司、商號或使用者均不得擅自變更頻率、加大功率或變更原設計之特性及功能。低功率射頻器材之使用不得影響飛航安全及干擾合法通信；經發現有干擾現象時，應立即停用，並改善至無干擾時方得繼續使用。前述合法通信，指依電信管理法規定作業之無線電通信。低功率射頻器材須忍受合法通信或工業、科學及醫療用電波輻射性電機設備之干擾。USB-C (HOST)輸出非屬電力限制型電源，請連接使用具V-1 等級以上防火外殼之周邊，以避免火災危險發生。當直立使用時不支援Qi無線充電

Federal Communication Commission Interference Statement

This device complies with Part 15 of the FCC Rules. Operation is subject to the following two conditions: (1) This device may not cause harmful interference, and (2) this device must accept any interference received, including interference that may cause undesired operation. This equipment has been tested and found to comply with the limits for a Class B digital device, pursuant to Part 15 of the FCC Rules. These limits are designed to provide reasonable protection against harmful interference in a residential installation. This equipment generates, uses and can radiate radio frequency energy and, if not installed and used in accordance with the instructions, may cause harmful interference to radio communications. However, there is no guarantee that interference will not occur in a particular installation. If this equipment does cause harmful interference to radio or television reception, which can be determined by turning the equipment off and on, the user is encouraged to try to correct the interference by one of the following measures:
- Reorient or relocate the receiving antenna.
- Increase the separation between the equipment and receiver.
- Connect the equipment into an outlet on a circuit different from that to which the receiver is connected.
- Consult the dealer or an experienced radio/TV technician for help.
FCC Caution: Any changes or modifications not expressly approved by the party responsible for compliance could void the user's authority to operate this equipment.

This transmitter must not be co-located or operating in conjunction with any other antenna or transmitter.

Radiation Exposure Statement:

This equipment complies with FCC radiation exposure limits set forth for an uncontrolled environment. This equipment should be installed and operated with minimum distance 20cm between the radiator & your body.

This device complies with Directive 2014/53/EU and UK Radio Equipment Regulations 2017 SI 2017/1206. issued by the Commission of the European Community.

- Declaration of Conformity

Hereby, Magic Control Technology Corporation declares that the radio equipment type USB-C⁴ Dock Dual 4K HDMI™ with 140W GaN PD3.1 Power Adapter is in compliance with Directive 2014/53/EU and UK Radio Equipment Regulations 2017 SI 2017/1206.

Operating Frequency: 127.8kHz-148kHz
NCC / FCC Field Strength: -5.1 dBuV/m(@300m)(AV)
EN300 330 / EN303 417 Field Strength: 4.58dBuA/m(0.00135mW)
IC Field Strength: 24.5 dBuV/m

Copyright© 2023 Magic Control Technology Corporation. All rights reserved. All trade names are registered trademarks of their respective owners. Features and specifications are subject to change without notice. Product may not be exactly as shown in the diagrams.

步驟3 (適用於2020年或之後的M系列Mac®計算機，否則跳過到第4步)
如果您的Mac®使用的是蘋果® M系列處理器，則可能會收到安裝Rosetta的提示，這是必需的安裝條件，點擊“安裝”按鈕，輸入密碼，然後點擊“安裝”。
*注意：如果已經安裝了Rosetta，則不會出現此步驟，或是您的Mac®使用Intel®處理器則不會出現此步驟。

步驟4：在安裝開始時，您將被提示輸入密碼。請輸入密碼，然後點擊“安裝”。安裝完成後，點擊“重新啟動”，然後會出現一個提示，問您是否將安裝程式移至垃圾桶中(您選擇的選項不會影響安裝，但會在您的下載資料夾中保留或刪除安裝程式)。選擇一個選項後，電腦將重新啟動。

步驟5 (僅適用於macOS® 13或更高版本)：插入裝置。然後會出現一個提示，請點擊“允許”。

步驟6：您會收到一個通知，上面寫著“USB顯示設備通知”，點擊通知，或點擊頂部左側的Apple®圖標>系統設定>通知>USB顯示設備>然後確保“允許通知”已打開。

步驟7 (僅適用於macOS® 11或更高版本)：一個USB顯示設備窗口也應該出現，並且會有一個“Activate USB Display Driver”按鈕，點擊該按鈕。您將收到一個系統提示，點擊“打開系統設定”，您將在安全性下看到一條資訊，上面寫著“USB Display Device”被阻止加載。點擊“允許”按鈕，然後在提示時輸入您的密碼，然後點擊“修改設置”。
*注意：如果“USB™顯示設備”應用程式沒有自動打開，可經由啟動台或macOS®底部的dock打開應用程式。

步驟8 (僅適用於macOS® 10.15或更高版本)
將您的顯示器連接到設備。您將收到一個顯示屏錄製提示，上面寫著“DJTVirtualDisplayAgent”希望錄製此電腦的螢幕和音訊。*注意：如果未看到此提示，請嘗試將顯示器，電視或顯示器插入設備的不同顯示端口(如果有)。點擊“打開系統設定”或點擊頂部左側的Apple®圖標>系統設定>隱私權與安全性>螢幕錄影，然後允許DJTVirtualDisplayAgent。

步驟9：拔掉然後重新連接設備，然後所有連接的顯示器應該能正常工作！您可以點擊Apple®圖標>系統設定>顯示器，來調整顯示設置。點擊“排列...”來設定顯示器的佈局。

步驟10 (可選)
點擊Apple®圖標>系統設定>聲音，在「輸出」和「輸入」下，您可以選擇哪個設備作為音頻輸出。
*有關更詳細的說明，請打開從我們的網站下載的USB_Video_Adapter_Driver.dmg檔案內的README.pdf檔案。
*注意：對於macOS® 13之前版本的作業系統，您可能需要在安裝過程中去「系統偏好設定」>「安全性和隱私權」中允許“Magic Control Technology”或“USB顯示設備”。

步驟1：
您可以在<https://www.mct.com.tw/> >支援與服務 >下載驅動程式與說明檔案，然後通過輸入型號或捲動網頁至您的產品型號，並點擊Windows® Driver按鈕來下載所需的檔案。

步驟2：
點擊執行下載的驅動程式，開始安裝，然後按照提示進行操作。
*建議先以右鍵點擊驅動程式並選擇“以系統管理員身份執行”來打開檔案，否則請嘗試雙擊檔案。

步驟3：
安裝完成後，點擊“重新啟動”。電腦重新啟動後，將裝置連接至電腦，然後將顯示器、外部設備和充電器連接至裝置。現在您可以開始使用了！

步驟4：顯示設定 (非必要)
您可以通過Windows®顯示設定來配置和重新排列顯示器。若要進行顯示設定，請在桌面上點擊滑鼠右鍵，然後從出現的選單中選擇“顯示設定”。

步驟5：選擇聲音設備 (非必要)
之後您可能需要選擇您的聲音設備，請點擊桌面左下方(Windows® 10)或中間(Windows® 11)的Windows®圖案，然後搜索「控制台」>「硬體和音效」>聲音，在這裡，您可以選擇您的預設的揚聲器和麥克風。

■ 在macOS®10.14或更高版本安裝顯示驅動程式

在進行安裝之前，請勿將裝置連接電腦。

步驟1：
確保裝置未插入Mac®，然後從<https://www.mct.com.tw/> >支援與服務 >下載驅動程式與說明檔案下載最新驅動程式，然後通過輸入型號或捲動網頁至您的產品並點擊與您Mac®運行的macOS®版本相對應的按鈕進行下載 (要找到您的macOS®版本，請點擊螢幕頂部左側的Apple®圖標，然後點擊“關於這台Mac”)。

步驟2：
點擊下載的檔案(通常名為“USB_Video_Adapter_Driver_(Version).dmg)。打開視窗後，再點擊.pkg檔案(它會有一個已打開盒子的圖標)。安裝視窗將出現，按照提示的步驟進行操作。

■ 產品特色

- 支援外接雙4K HDMI™(4K@60Hz + 4K@30 Hz) 螢幕與最高PD 3.1 140W
- 高速穩定的Gigabit Ethernet網絡連接
- 提供兩個USB™ 10Gbps和兩個USB™ 5Gbps端口，方便連接外部設備
- 提供連接線收納槽與安全鎖
- 最高可提供15W無線充電

Step 6 (Optional but recommended)

You will receive a notification that reads “USB Display Device Notifications”, click on the notification OR click on the Apple® icon at the top left > System Settings > Notifications > USB Display Device > Then make sure “Allow Notifications” is on.

Step 7 (Only applies to macOS® 11 or later)

A USB Display Device window should have also appeared that should have a “Activate USB Display Driver” button, click on the button. You will receive a System Extension Blocked prompt, click on “Open System Settings” where you will see a message under Security that reads System software from application “USB Display Device” was blocked from loading. Click on the “Allow” button, enter your password when prompted, then click on “Modify Settings”. * Note: The “USB™ Display Device” application should open automatically, if it does not open launch the application via launchpad or the macOS® dock at the bottom.

Step 8 (Only applies to macOS® 10.15 or later)

Connect your monitor, TV, or display to the device. You will receive a Screen Recording prompt that reads “DJTVirtualDisplayAgent” would like to record this computer’s screen and audio.
*Note if you do not see this prompt please try plugging your monitor, TV, or display into a different display port on your device if it has it. Click on “Open System Settings” OR click on the Apple® icon at the top left > System Settings > Privacy & Security > Screen Recording and allow DJTVirtualDisplayAgent.

Step 9

Unplug then reconnect the device, afterwards all connected displays should be working! You can click on the Apple® icon > System Settings > Displays to adjust your display settings. Click on “Arrange...” just set the layout of your displays.

Step 10 (Optional)

Click on the Apple® icon > System Settings> Sound > under Output & Input select “Sound”, here you can select which device has sound output. * For more detailed instructions, please open the README.pdf file inside the USB_Video_Adapter_Driver.dmg file that was downloaded from our website.
*Note: For operating systems older than macOS® 13 you may need to navigate to System Preferences > Security & Privacy > General > then allow “Magic Control Technology” or “USB Display Device” during install.

■ Windows® 11/10 - 顯示驅動程式安裝

通常在 裝置連接至Windows® 11/10設備時，驅動程式將自動下載並安裝。(需連接網路並具備管理權限)
若要進行進行手動安裝，請保持設備未連接，並從我們的網站下載驅動程式。