

# 2.4G Antenna specification

Manufacturer: Shenzhen Neewer Technology Co., Ltd

---

Model: 2.4G Antenna

---

Max Gain: 2.5dBi

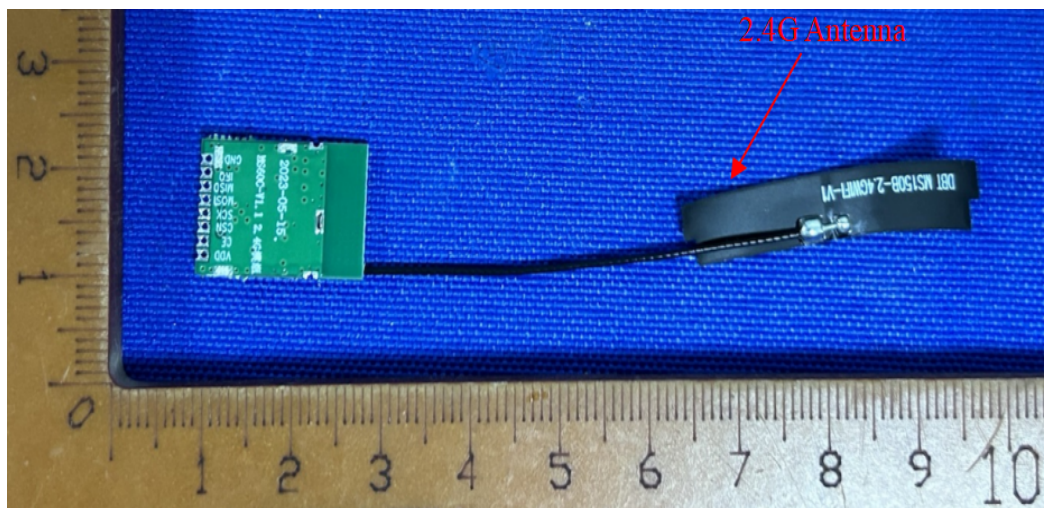
---

REV: A

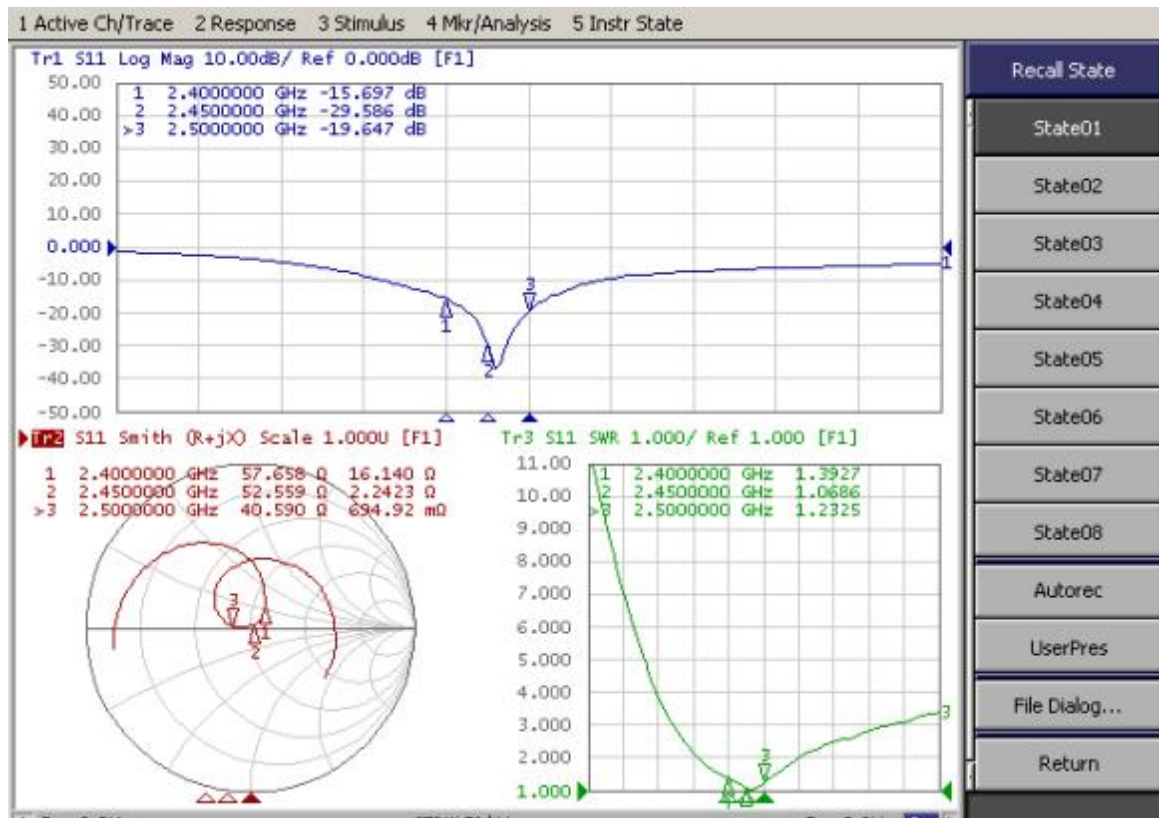
---

	MANUFACTURER SIGNATURE	CUSTOMER SIGNATURE
CHECKED BY:		
AUDITOR BY:		
APPROVED BY:		
DATE:		

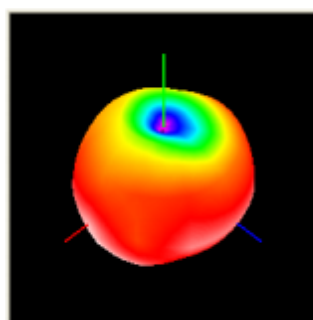
# Size



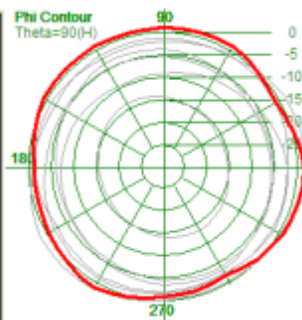
# Test Date



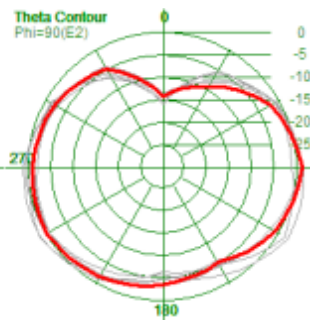
## 2D、3DRaditationPattern



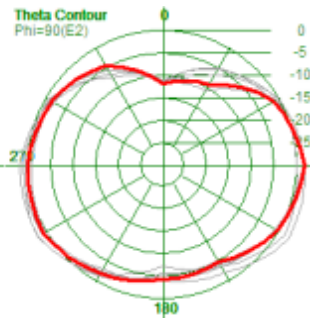
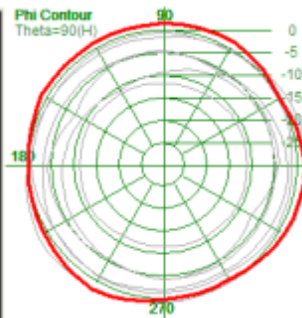
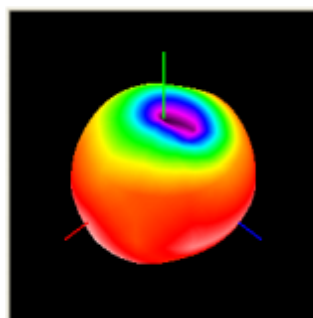
2.4GHz



Gain:2.11 dBi



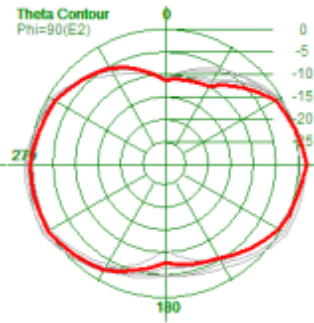
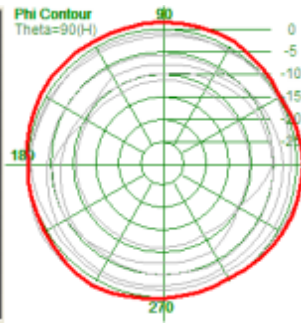
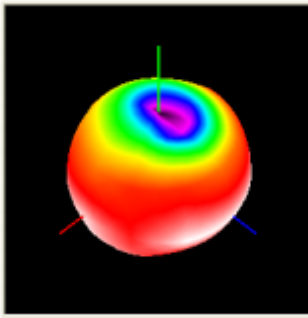
Efficiency:75.6 1%



2.45GHz

Gain: 2.23dBi

Efficiency: 78.45%



2.5GHz

Gain: 2.50dBi

Efficiency : 80.14%

