

TrueBlue-2

High Definition True Wireless Stereo Earbuds with Portable Charging Case

Incredible Sound Quality • Sport Minimalistic Design • Ergonomic Fit

User Guide

English

Introduction

Cut the cord with TrueBlue-2, a pair of truly wireless smart earphones; TrueBlue-2 innovative lightweight design and best in class technology gives you freedom and comfort to listen to your tracks for hours. Communicate and handle calls with the built-in high performance MEMS microphone. 2 hours battery life, enough for any workout and the portable charging case lets you recharge the headset up to 3 times on the go!

Packaging Contents

- TrueBlue-2
- Charging Case
- User Guide
- 2Pcs Small Ear Buds
- 2Pcs Large Ear Buds
- Micro-USB Charging Cable

Specifications

- Bluetooth Version: 4.2
- Bluetooth Chipset: CSR63120
- Charging Case Input: 5V, 1A
- Charging Case Output: 5V, 500mA
- Impedance: 16Ω
- Speaker Frequency: 20Hz ~ 20kHz
- Charging Time: 1.5 hour
- Playing Time: ~2 hours
- Headset Battery Capacity: 40mAh x 2
- Charging Case Battery Capacity: 400mAh

Features

- **Completely Wireless Earbuds:** A new generation of True Wireless Stereo (TWS) earbuds that deliver incredible sound without the cord.
- **Permanently Untangled:** TrueBlue-2 offers a truly wire-free experience to give you complete freedom of movement.
- **Audio Evolved:** Experience acoustic bliss with wirelessly streamed audio that lets you feel every note of your music when you hear it.
- **Long Battery Life:** Built-in rechargeable lithium polymer battery, it supports up to 2 hours playing/talking time.

- **Passive Noise Cancellation:** Enjoy your favourite tracks without any disturbance.
- **Ergonomic Design:** Created for comfort, designed to last. The premium quality earbuds provide a custom fit and help minimise sound leakage.
- **Ultra-Portable:** The ultra-light weight design makes TrueBlue-2 a very portable accessory to use, even on the move.
- **Rugged Design:** This headset's lightweight design is built tough to ensure a robust, comfortable fit that does not fall out easily.

Compatibility

TrueBlue-2 can be paired to traditional and double module Bluetooth device.

Precautions:

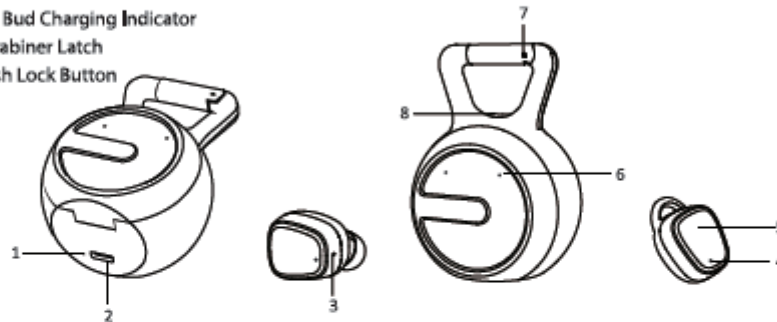
Please read all safety instructions and warnings thoroughly before using this product. Improper use of this product may result in damage to this or attached products.

- Do not disassemble the device or attempt to fix it.
- Kindly use the included cable to charge the product.
- Do not attempt to replace any part of this product.
- Do not crush, puncture or dispose of in fire.
- Do not store or use the battery in a high-temperature environment, including intense sunlight or heat.
- Avoid excessive drops, bumps, abrasions and impacts.
- If there is any reason to believe that there is internal damage to the device, discontinue using immediately.
- If you find that the device is too hot, is emitting an odour, or is deformed, punctured or exhibits any suspicious or abnormal behaviour, discontinue use immediately and contact our customer service.
- Always charge this product before extended storage.

English

Appearance & Interface Description

- 1.LED Charging Indicator
- 2.Micro-USB Charging Input
- 3.Mic
- 4.LED Indicator
- 5.Multi-Function Button
- 6.Ear Bud Charging Indicator
- 7.Karabiner Latch
- 8.Push Lock Button



Operation Instructions

1.Switching TrueBlue-2 On/Off

- To turn on TrueBlue-2, press and hold the Multi-function Button on both earpieces for about 1 second until the Blue LED starts flashing.
- To turn off TrueBlue-2 manually, press and hold the Multi-function Button on both earpieces for about 3 seconds.
- The earpieces turn off automatically when placed in the charging box.

2.Pairing TrueBlue-2

- Before connecting TrueBlue-2 to your device, make sure that TrueBlue-2 is in pairing mode.
- To enter pairing mode, Take out either earpieces from charging case, then press and hold Multi-Function Button for 5 seconds, until voice prompt "pairing".
- The earpiece are in pairing mode when the red and blue LED of the left earpiece flash alternatively.
- Turn on the Bluetooth function of the device you wish to connect and search for "TrueBlue-2". From the list of found devices, select "TrueBlue-2".
- TrueBlue-2 is now connected to your device, you can use it in single mode.
- If you expect to enjoy TrueBlue-2 in Couple mode, please take out the other one earpiece from Charging case and power on it, then the earpieces will connect to each other automatically.

3. Call Function

- **Answering a Call:** Press the Multi-function Button on the earpiece (which is connect with your device) once to answer an incoming call.
- **Rejecting a Call:** Press the Multi-function Button on the earpiece (which is connect with your device) for **1 second once to reject an incoming call.**
- **Ending a Call:** Press the Multi-function Button on the earpiece (which is connect with your device) once to end an ongoing call.

4. Charging TrueBlue-2 Earphones & Charging Case

- The TrueBlue-2 charging case has a built-in battery.
- To charge the charging case, plug one end of the charging cable into TrueBlue-2 charging case charging input and the other end into a USB Power Adapter or a Laptop/Desktop.
- The red LED turns on to indicate that the charging case is charging. Once completely charged the blue LED would turn on for 30 seconds.
- Place the earpieces into the charging case to charge the earpieces.
- The red LED indicator on the headset turns on to indicate that the headset is charging normally and will turn off once fully charged.



Correct disposal of this Product (Waste Electrical & Electronic Equipment (WEEE))

Your product is designed and manufactured with high quality materials and components which can be recycled and reused.

This symbol means that electrical and electronic equipment, at their end-of-life should be disposed of separately from your household waste.

Please dispose of this equipment at your local community waste collection/recycling center.



This product complies with European safety and electrical interference directives

RoHS

This product does not contain environmentally hazardous materials (lead, mercury, cadmium, hexavalent chromium and brominated flammable agents: PBB and PBDE).

FCC Warning:

This equipment has been tested and found to comply with the limits for a Class B digital device, pursuant to part 15 of the FCC Rules. These limits are designed to provide reasonable protection against harmful interference in a residential installation. This equipment generates, uses and can radiate radio frequency energy and, if not installed and used in accordance with the instructions, may cause harmful interference to radio communications. However, there is no guarantee that interference will not occur in a particular installation. If this equipment does cause harmful interference to radio or television reception, which can be determined by turning the equipment off and on, the user is encouraged to try to correct the interference by one or more of the following measures:

- Reorient or relocate the receiving antenna.
- Increase the separation between the equipment and receiver.
- Connect the equipment into an outlet on a circuit different from that to which the receiver is connected.
- Consult the dealer or an experienced radio/TV technician for help.

Caution: Any changes or modifications to this device not explicitly approved by manufacturer could void your authority to operate this equipment.

This device complies with part 15 of the FCC Rules. Operation is subject to the following two conditions: (1) This device may not cause harmful interference, and (2) this device must accept any interference received, including interference that may cause undesired operation.

Radiation Exposure Statement

The device has been evaluated to meet general RF exposure requirement. The device can be used in portable exposure condition without restriction.