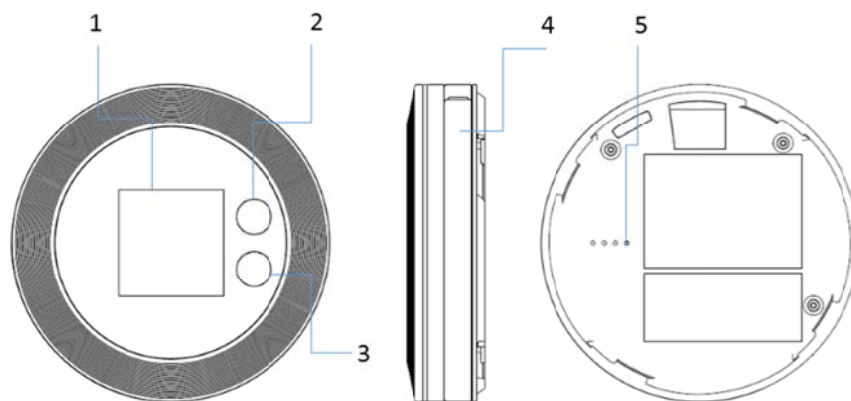




macaroon M1 Quick guide

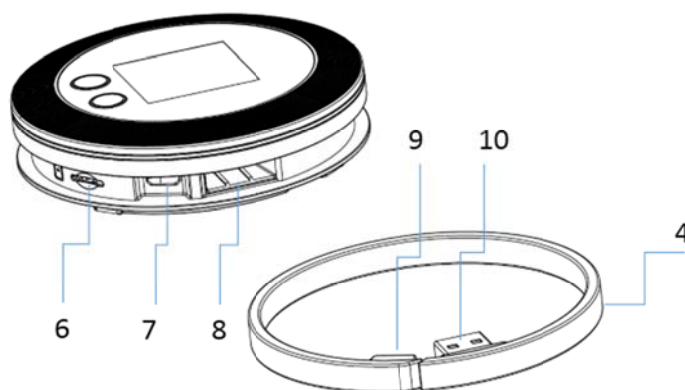
Beijing Ulink Technology Co.Ltd.

www.umacaroon.com

Appearance Introduction



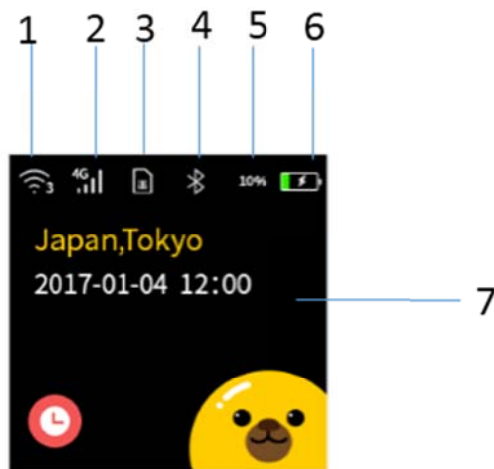
- 1. LCD screen
- 2. Power Key/Enter Key 
- 3. Selection Key 
- 4. USB cable
- 5. Power bank Charging Port








- 6. External SIM card slot
- 7. Micro USB port

8. USB cable TypeA port storage slot
9. USB cable micro USB plug
10. USB cable TypeA USB plug

Screen Introduction



1. WLAN 
 - WLAN Total Connections
2. Network 
 - Signal strength
 - Network type
3. SIM Card Identification 
 - Display after inserting SIM card in the external SIM card slot
4. Bluetooth 
 - Display after turn on the Bluetooth

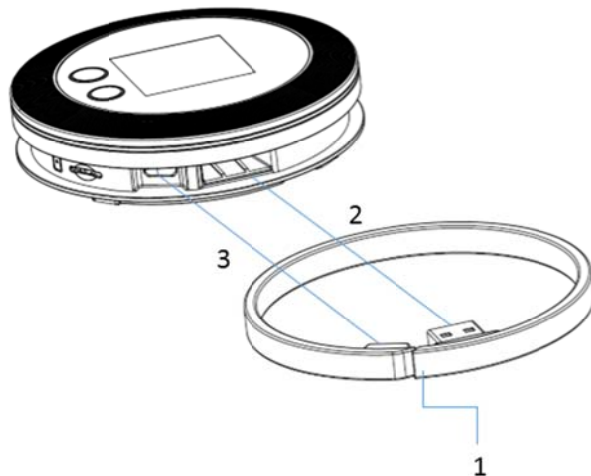
5. Battery 
- Display after charging status and battery below 20%

6. Battery 
- Battery status display

7. Menu
- Standby page(Data usage/Time/SSID/Key Scrolling display in screen)
 - Menu Screen

Manual Introductions

1. USB Cable



- 1) Take out USB cable: Take the USB cable TypeA out as Pic 1 shows. Connect the USB plug with power bank or with corresponding port of charger plug, then it can be used. The micro USB plug of the USB cable also can be removed. Then the USB cable can be used to charge for other devices.
- 2) Take in USB cable: As Pic 2 shows, insert micro USB plug into the micro USB port, then circle the USB cable , just as Pic 3 shows, till the TypeA plug can be inserted to the port slot.

2. External SIM Card

- 1) Not support hot-plug. If need to plug and pull the card, please restart the

device after plug and pull.

3. Connect WLAN

- 1) Power on: Long press the Power Key for more than 3 seconds to boot
- 2) Use the phone / pad or other terminals to search SSID (user name), enter the KEY (password), and then you can connect to the network

4. Key

- 1) Power Key/Enter Key: Long press the Power Key for more than 3 seconds. It is confirmation for clicking.
- 2) Select Key: Click to select the menu and flip the screen.
- 3) When the device is not used for 40 seconds, it will automatically lock the screen to sleep and click any key to wake up.
- 4) Forced shutdown: Long press the select key for more than 8 seconds.
- 5) One-button Rescue (After-sales Feedback): Under any page when device starts, press the select key and power key together for 3 seconds, then you can feedback problems and get help.

5. Menu

- 1) From the information screen enter into the main menu: Click any Key.
- 2) Click the Select key to select the menu one by one, and return to the first one after the last menu icon.
- 3) After selecting the menu, click the Enter key to enter the menu
- 4) Return: Click the Select key to return to the arrow icon, and click the Enter Key to return to the previous menu.
- 5) During the menu operation, if there is no operation within 5 seconds, the interface will jump to the scrolling information screen, then press any key to return to the main menu screen.

6. Web UI

- 1) Use phone、computer or other terminal equipments to connect the macaroon WLAN.

Size	85mm*20.6mm
Weight	130g
Bands	FDD-LTE B1/B2/B3/B4/B5/B7/B8/B12/B17/B18/B19/B20

2) Input the IP address <https://192.168.225.1> in the browser to enter into the Web UI login page.

The default User namer: Uroaming; Password: MCroon2046

3) After login, you can use Web UI to modify the password, configure APN and so on.

Product Introduction

UROAMING - TD-LTE Wireless Data MiFi Device

Model: macaroon M1

Product Specifications

	LTE-TDD B38/B39/B40/B41
	WCDMA B1/B2/B4/B5/B8
	GSM B2/B3/B5/B8
WLAN	Support 2.4G/5G WLAN IEEE 802.11 a/b/g/n/ac
LCD Screen	1.54 inch
LCD Pixels	240*240 Pixels
Battery type	Lithium polymer battery
Cell capacity	3000mAh
Standby Time	105H
Continuous working hours	7-8H
USB Port	Input 5V1A, Micro USB
Support function	Bluetooth、GPS、WLAN

Technical features and characteristic for EU

WLAN	
Operation Frequency:	2412MHz~2472MHz 802.11b/802.11g/802.11n(H20) 2422MHz~2462MHz 802.11n(H40) 5180MHz ~ 5700MHz for 802.11a/802.11n(HT20)/802.11ac(VHT20); 5190MHz ~ 5510MHz for 802.11n(HT40)/802.11ac(VHT40) 5210MHz ~ 5610MHz for 802.11ac(VHT80)
Maximum Power(2.4GHz):	16.67dBm(E.I.R.P.)
Maximum Power(5.2GHz):	12.93dBm(E.I.R.P.)
5.8G SRD	

Operation Frequency:	5745MHz ~ 5825MHz
Maximum Power:	9.2dBm(E.I.R.P.)
BT	
Operation Frequency:	2402~2480MHz
Maximum Power (BT3.0+EDR:):	12.55dBm(E.I.R.P.)
Maximum Power (BT4.0:):	-0.73dBm(E.I.R.P.)
GSM	
Operation Frequency:	E-GSM 900: 880~915MHz DCS 1800: 1710~1785MHz
Maximum Power (E-GSM 900):	29.36dBm
Maximum Power (DCS 1800):	24.65dBm
WCDMA	
Operation Frequency:	Band 1 TX:1922.4MHz~1977.6MHz,RX:2112.4MHz~2167.6 MHz Band 8 TX: 882.4MHz~912.6MHz,RX:927.4MHz~957.6MHz
Maximum Power (WCDMA Band 1):	24.24dBm
Maximum Power (WCDMA Band 8):	23.81dBm
FDD LTE	
Operation Frequency:	Band 1 TX:1922.5MHz~1977.5MHz,RX:2112.5MHz~2167.5

	<p>MHz</p> <p>Band 3</p> <p>TX:1710.7MHz~1784.3MHz,RX:1805.7MHz~1879.3MHz</p> <p>MHz</p> <p>Band 7</p> <p>TX:2502.5MHz~2567.5MHz,RX:2622.5MHz~2687.5MHz</p> <p>MHz</p> <p>Band 8</p> <p>TX:880.7MHz~914.3MHz,RX:925.7MHz~959.3MHz</p> <p>Band 20</p> <p>TX:834.5MHz~859.5MHz,RX:793.5MHz~818.5MHz</p>
Maximum Power (Band 1):	23.51dBm
Maximum Power (Band 3):	22.89dBm
Maximum Power (Band 7):	22.74dBm
Maximum Power (Band 8):	23.85dBm
Maximum Power (Band 20):	23.74dBm
TDD LTE	
Operation Frequency:	<p>Band 38</p> <p>TX:2572.5MHz~2617.5MHz,RX:2572.5MHz~2617.5MHz</p> <p>MHz</p> <p>Band 40</p> <p>TX:2302.5MHz~2397.5MHz,RX:2302.5MHz~2397.5MHz</p>

	MHz
Maximum Power (Band 38):	23.85dBm
Maximum Power (Band 40):	23.77dBm

Product Feature

- Modular design, Assort with specified macaroon accessory macaroon (such as macaroon charger,etc.), more convenient
- Connect to internet at High speed, universal version
- Network Sharing, up to connections of 10 devices simultaneously
- GPS accurate positioning
- Built-in USB cable, Charge anytime, fast and convenient
- Support SOS function, Contact hotline to get help promptly

FAQ

1. How long does it take to have the device fully charged ?

It takes 4 hours.

2.How long does it take to connect to internet after power-on?

Normally it takes 1-2 minutes. It might takes 5 minutes for the first time when arriving a new country.

3.What should I do when my Phone/Pad can not connect to internet?

- (1) Make sure Phone/Pad's Wi-Fi is turned on.
- (2) Refresh network list,search SSID of the device.
- (3) Make sure input correct password to get internet connection.

4. The device can not get internet connections?

(1) Make sure the device is normally powered on, the signal is week when use at airport,mountain area,high way,harbor,basement,rural area and islands,please change place and reboot to try again.

(2) If still can not get internet connection, please contact Uroaming official WeChat or call hotline 4006505011 to get troubleshooting.

5. What should I do if my device is lost?

If your device has been lost incidentally, please contact Uroaming official WeChat to freeze your account in case of extra expenses.

Warning

- Please use original accessories. If use unauthorized charger or accessories, it might cause damage to the device and even cause a fire, explosion, or other hazards.
- Do not wash, keep in dry and cool environment. Too high- or low-temperature conditions might cause damage to the device.
- Please do not expose the device at high temperature environment or heating locations, such as sunlight, warmer, microwave, oven or water-heater, etc. Overheated battery might cause explosion.
- When charging is complete or not in charging, please disconnect power bank from the device and unplug charger from the power outlet.
- The built-in battery is non-removable. Please do not change or disassemble battery by yourself in case damage to battery or the device. The battery can only be replaced by official authorized service provider.

We are only responsible for official system and update system, and any system operation from unofficial third party might cause security risks.

EU Regulatory Conformance

Hereby, Beijing ULINK Technology Co., Ltd. declares that this radio equipment type is in compliance with the Directive 2014/53/EU. For the full text of the EU declaration of conformity, visit this website: www.umacaroon.com

Notice: The operating temperature of the device between 0°C to 45°C.

This product can be used across EU member states.

Caution!

The users has to turn off the 5GHz WLAN in outdoor environment.

			
BE	BG	CZ	DK
DE	EE	IE	EL
ES	FR	HR	IT
CY	LV	LT	LU
HU	MT	NL	AT
PL	PT	RO	SI
SK	FI	SE	UK

FCC Statement

This equipment has been tested and found to comply with the limits for a Class B digital device, pursuant to part 15 of the FCC Rules. These limits are designed to provide reasonable protection against harmful interference in a residential installation. This equipment generates, uses and can radiate radio frequency energy and, if not installed and used in accordance with the instructions, may cause harmful interference to radio communications. However, there is no guarantee that interference will not occur in a particular installation. If this equipment does cause harmful interference to radio or television reception, which can be determined by turning the equipment off and on, the user is encouraged to try to correct the interference by one or more of the following measures:

- Reorient or relocate the receiving antenna.
- Increase the separation between the equipment and receiver.
- Connect the equipment into an outlet on a circuit different from that to which the receiver is connected.
- Consult the dealer or an experienced radio/TV technician for help.

FCC Radiation Exposure Statement

This device complies with FCC SAR exposure limits set forth for an uncontrolled environment. SAR compliance for using the equipment in close proximity to the human body has been evaluated at 5mm. This equipment must not be co-located or operating in conjunction with any other antenna or transmitter. End-users and installers must be provided with antenna installation instructions and consider removing the no-collocation statement.

This device complies with Part 15 of the FCC Rules. Operation is subject to the following two conditions:

- (1) this device may not cause harmful interference, and
- (2) this device must accept any interference received, including interference that may cause undesired operation.

Caution!

Any changes or modifications not expressly approved by the party responsible for compliance could void the user's authority to operate the equipment.

RF EXPOSURE INFORMATION (SAR)

- This device meets the government's requirements for exposure to radio waves.
- The SAR limit set by the FCC is 1.6W/kg.
- The highest reported SAR values under the FCC regulatory for your device are

listed below:

- Body SAR: 1.169 W/kg
- The SAR limit set by the CE is 2.0W/kg
- The highest reported SAR values under the CE regulatory for your device are listed

below:

- Body SAR: 0.794 W/kg

Contact

www.umacaroon.com

BEIJING ULINK TECHNOLOGY CO., LTD

Tel: 4006505011

Mail: service@uroaming.com.cn

Copyright Notice

BEIJING ULINK TECHNOLOGY CO., LTD reserves the right of final interpretation of the device regarding uroaming and macaroon trademark.

For more details

Please visit www.uroaming.com.cn



扫一扫, 联系我们