



Specification for Approval

DeWeiMa Antenna Laboratory

ShenZhen R&D Center

Mobile Communication Terminal Antenna

Client: _____ **HIGH GREAT**

Product: _____ **Dual-band WIFI antenna**

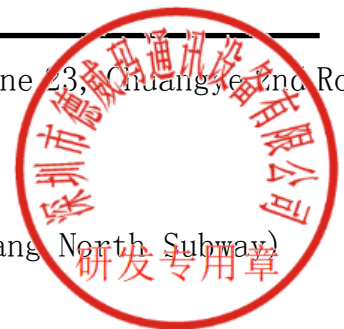
Material: _____

Address: 3/F, Building 1, Friendship Building, Zone 23, Guangjiefeng Road,

Bao'an, Shenzhen

((Behind Ping An Bank, Exit B of Honglang North Subway)

Tel: 0755-27885739 0755-27885839-800





1. Purpose

Standardize the product specifications and test methods of mobile communication terminal antennas produced by **ShenZhen Deweima Communication Equipment Co., Ltd.** to avoid errors caused by differences in test conditions and methods.

2. Product Category and Product Model

2.1 product category

This mobile communication terminal antenna is: Monopole antenna ;

2.2 product model

This report mainly Outlines the electrical results of the antenna designed by the project.。

The antenna is designed in the frequency band:2400MHz~2500MHz &5150MHz~5850MHz。

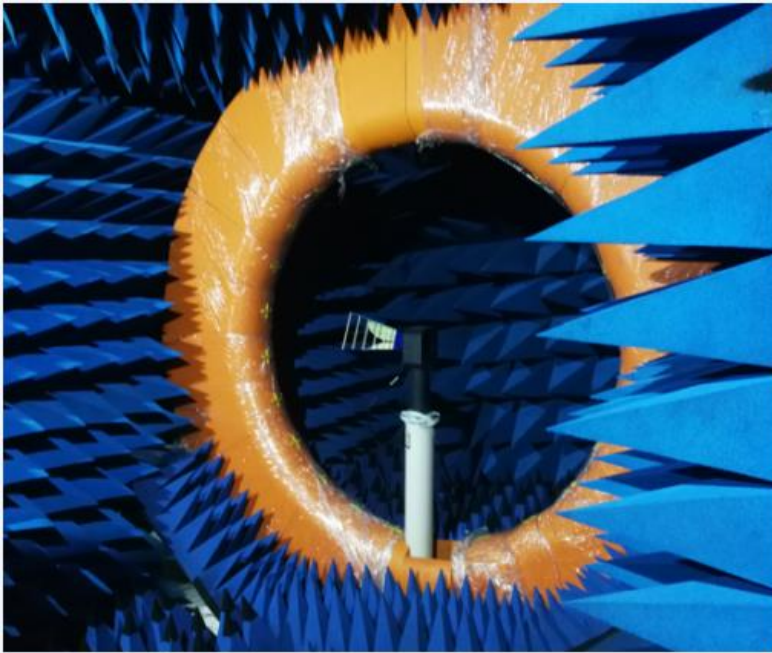
3. Technical Indicator and Equipment

3.1 Technical Indicator

electrical performance indicators	
operating frequency range	2400MHz~2500MHz 5150MHz~5850MHz
standing wave ratio	2400MHz~2500MHz<2.0 5150MHz~5850MHz<2.0
antenna gain	2400MHz~2500MHz:3dBi±1dBi 5150MHz~5850MHz:3dBi±1dBi
radiation efficiency	2400MHz~2500MHz>45% 5150MHz~5850MHz>45%
impedance	50 ohm
polarization	linear polarization
Product Material Description	
FPC+ Coaxial wire	Electrolytic copper+PI+0.81 coaxial wire Fourth-generation terminals
Product Environment Description	
operating temperature	- 30°C ~ + 85 °C
storage temperature	- 30°C ~ + 85 °C



3.2 Equipmen



24-probe microwave chamber



R&S CMW500



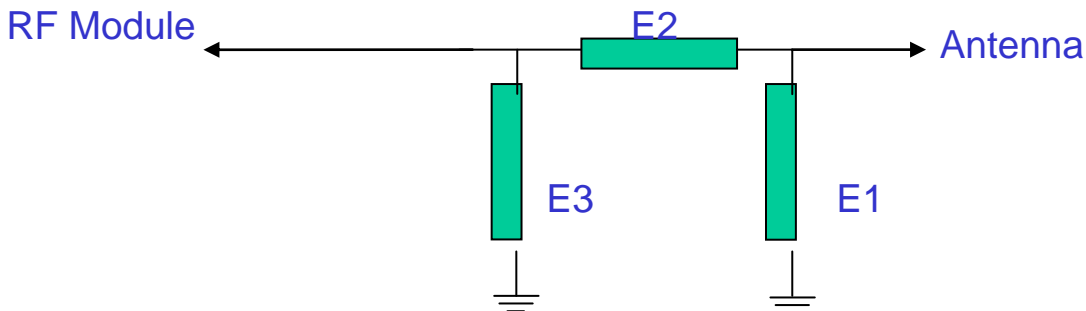
Agilent E4405B 频谱仪



Agilent Technologies E5071B

4.Description of the matching circuit:

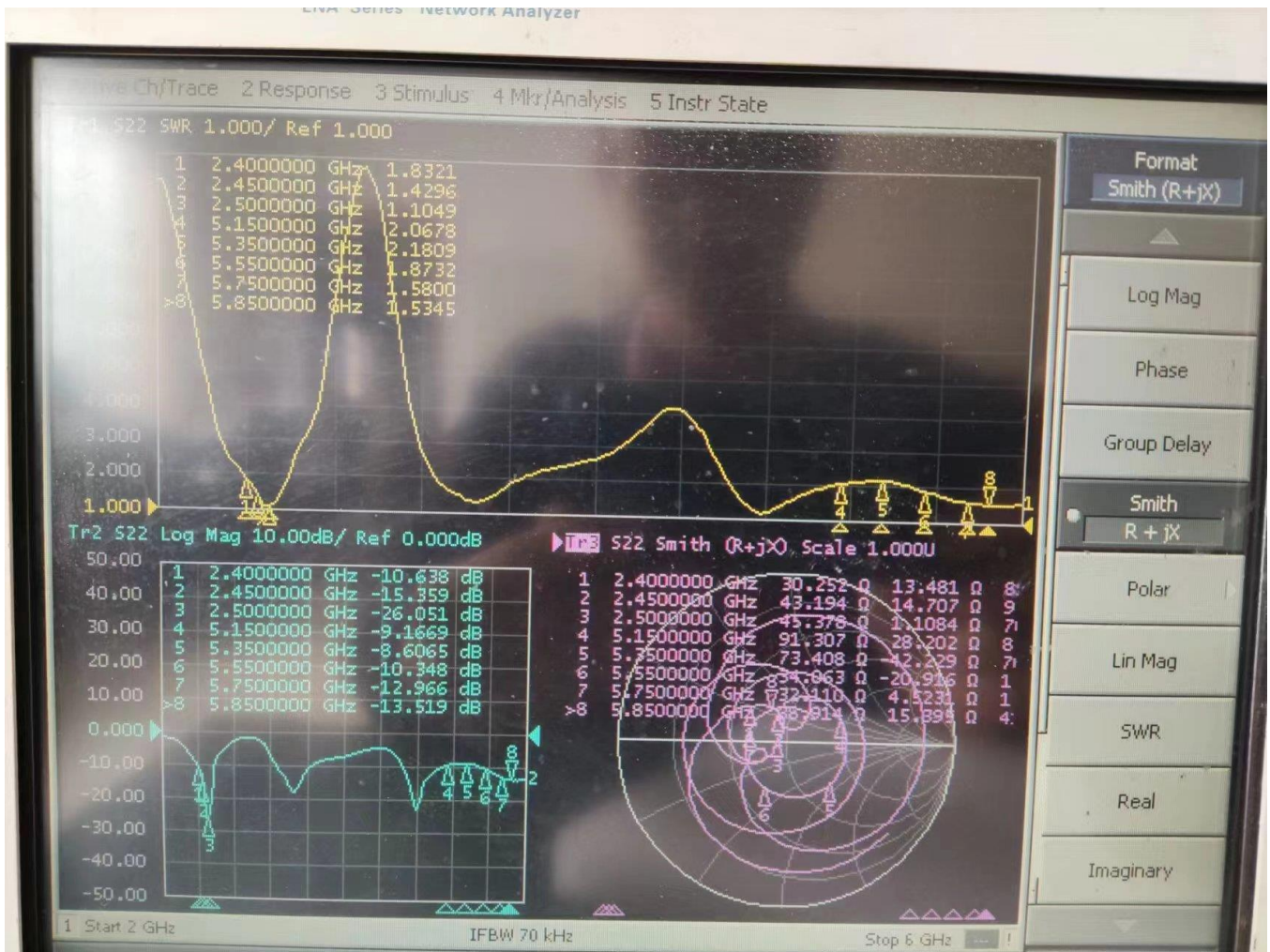
We have not modified the original matching circuit of the antenna.



Element	Value	Vender
E1(0201)		
E2(0201)		
E3(0201)		



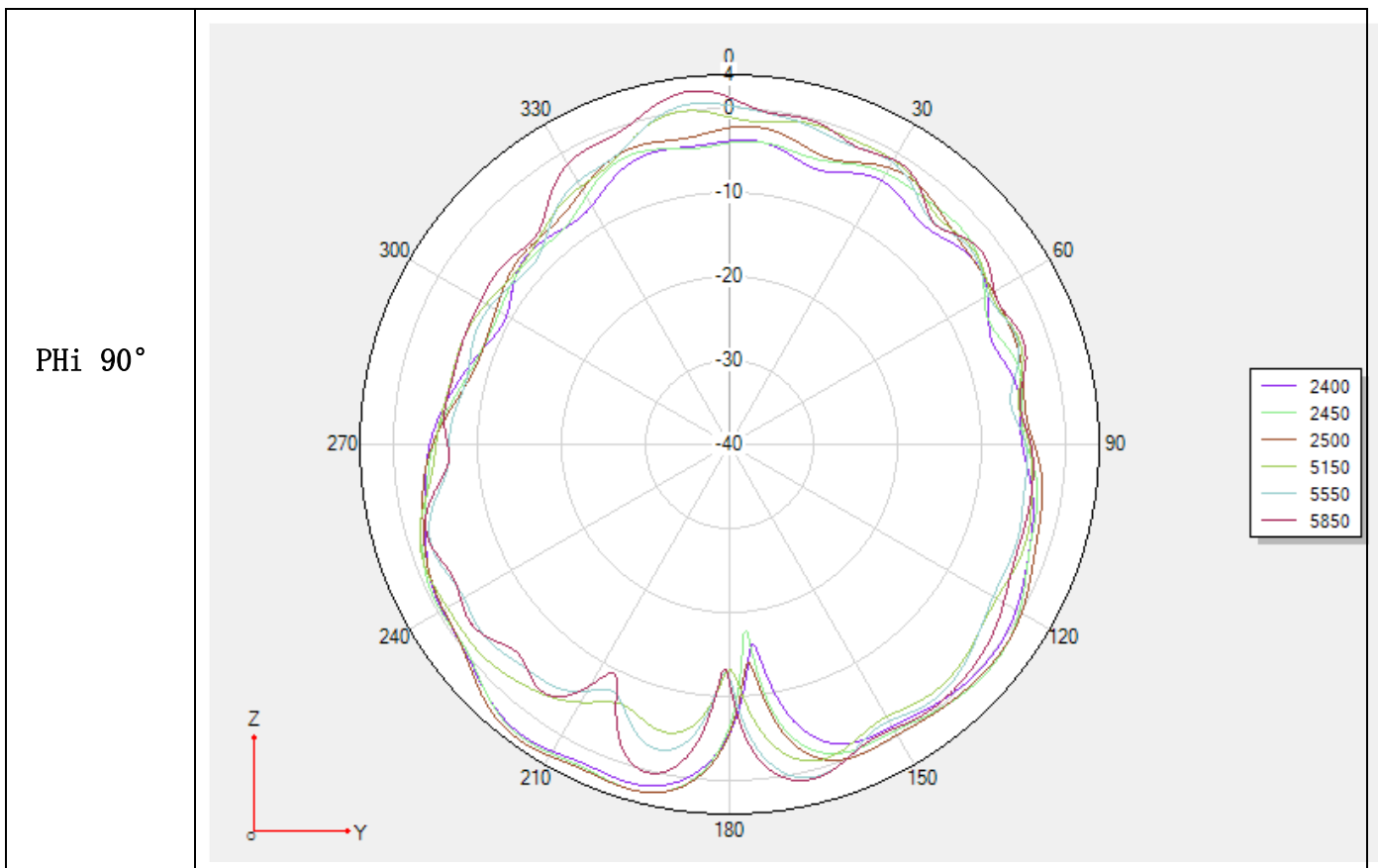
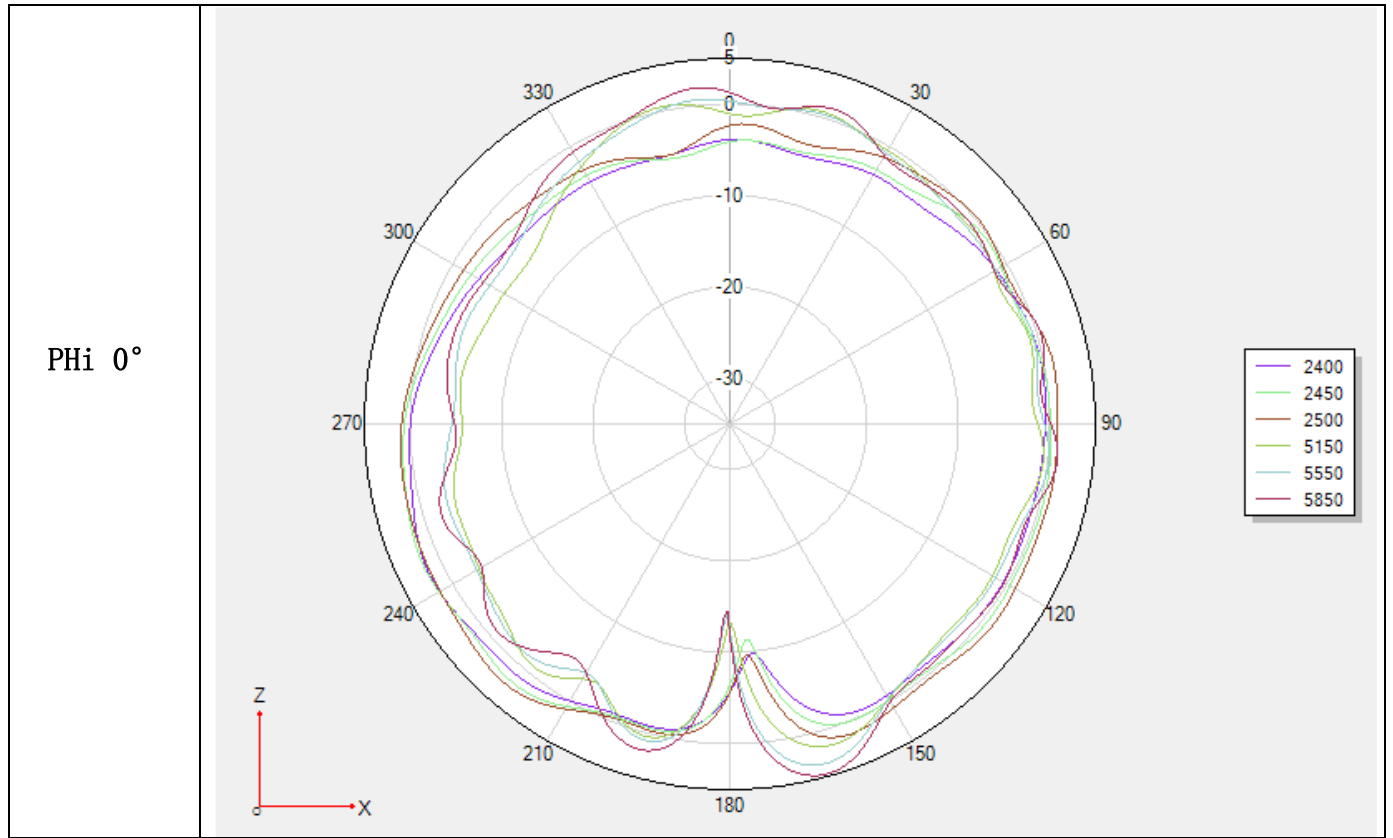
5. VSWR

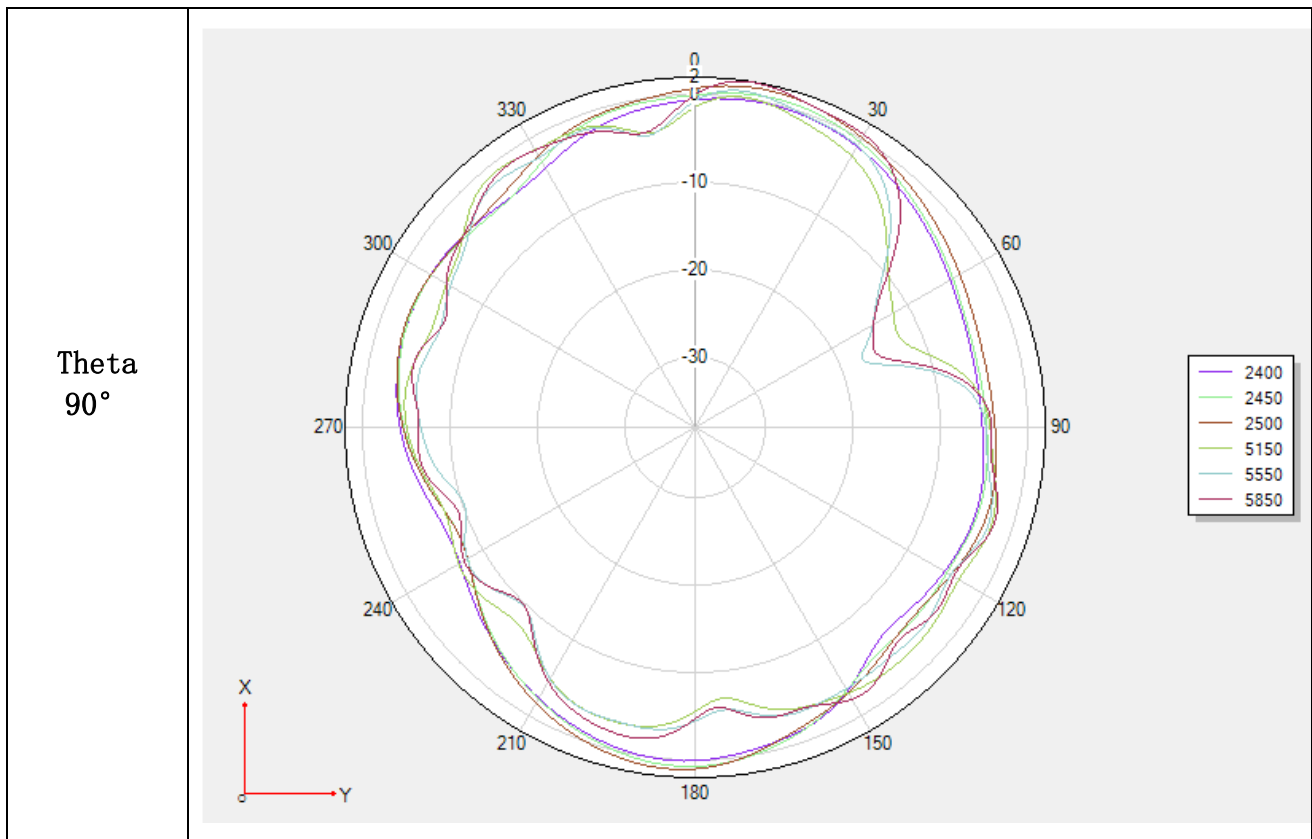




6. Antenna gain, Efficiency, and Pattern:

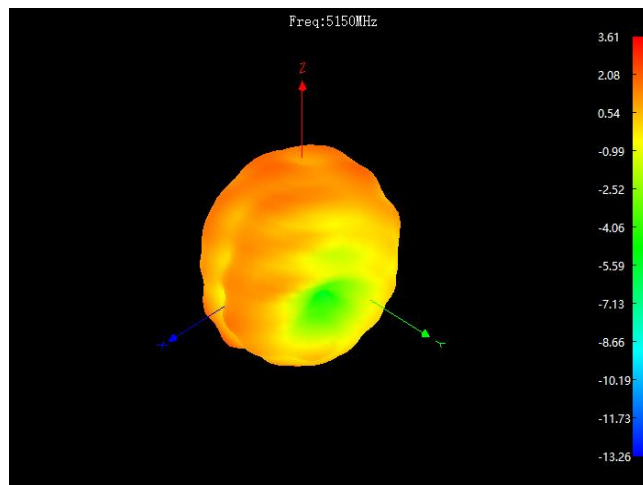
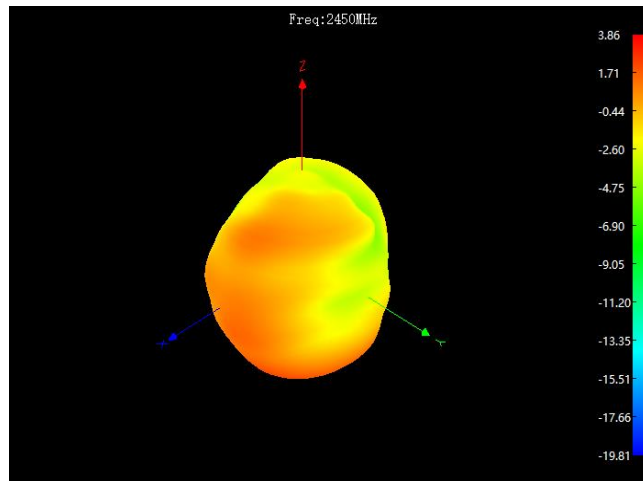
Frequency/Mhz	Efficiency / %	MaxGain/dBi
2400	46.99	3.03
2410	46.13	3.21
2420	50.12	3.97
2430	52.6	3.96
2440	52	3.4
2450	54.95	3.86
2460	56.62	3.3
2470	55.59	3.2
2480	58.61	3.6
2490	61.66	3.83
2500	58.75	3.13
5150	54.7	3.61
5200	52.6	3.12
5250	51.4	2.93
5300	49.43	3.07
5350	50.35	3.6
5400	49.66	3.25
5450	48.87	3.49
5500	51.17	4.12
5550	50.93	3.67
5600	50.23	3.33
5650	52.48	3.93
5700	55.34	3.62
5750	56.89	3.9
5800	56.49	3.14
5850	58.61	3.47





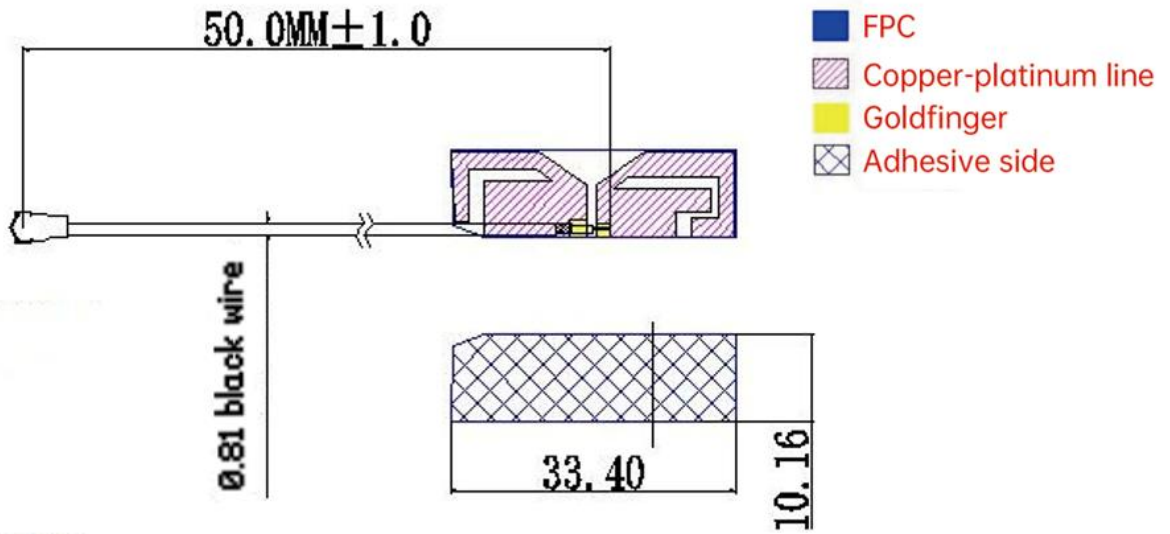


3D Pattern





7.Product Structure



8.Packaging method: shipped in bags