

AP511 Installation Guide

Summary of Installation Steps

- WLAN Planning. Usually, a comprehensive site survey is required before installation, such as installation location, brackets, cables, power source, etc.
- Unpack the AP box and check all contents
- Install the AP bracket on ceiling or wall
- Installing the AP
- Connecting required cables
- Power connection
- Verifying post-installation connectivity
- AP provisioning

Access points are radio transmission devices and are subject to governmental regulation. Network administrators who are responsible for the configuration and operation of access points must comply with local broadcast regulations. Specifically, an access point must use channel assignments appropriate to the location where the access point will be deployed.

Package Contents

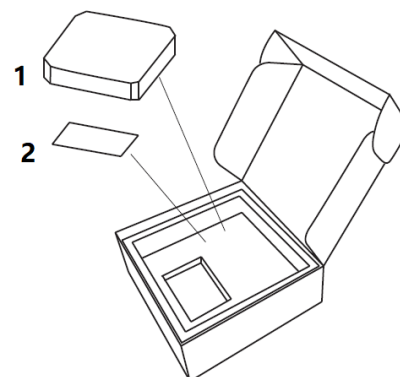
Item	Name	Qty	Unit
1	Access Point	1	Pcs
2	Quick Start Guide	1	Pcs
	Installation Guide	1	Pcs
	Regulatory Compliance and Safety Information	1	Pcs
	User Guide Info Card	1	Pcs

◆ Optional Accessories (To be ordered separately)

Warning: OAW-AP-MNT-B, OAW-AP-MNT-C, OAW-AP-MNT-W are **NOT** compatible with AP511.

Item	Name	Description
1	AP-MNT-IN-BE	Mounting kit, (Type BE1 9/16" and BE2 15/16") for T shaped spare ceiling rail mounting.
2	AP-MNT-IN-CE	Mounting kit, Type CE1 (Open Silhouette) and CE2 (Flanged Interlude), for other shaped ceiling rail mounting.
3	AP-MNT-IN-WE	Indoor mounting kit, Type WE wall, ceiling and electrical box mounting. Optional for customer ordering.

Figure 1: Product Packing

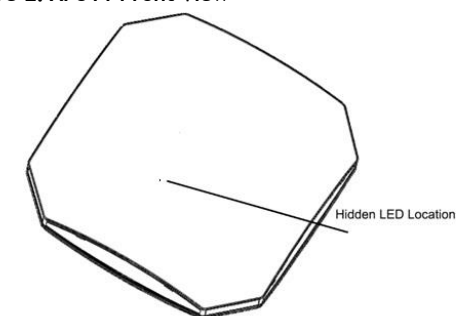


Inform your HAN sales representative of incorrect, missing, or damaged parts. If possible, retain the carton, including the original packing materials. Use these materials to repack and return the unit to the supplier if needed. Additional mounting kits for use with the OmniAccess Stellar access points are sold separately. Contact your ALE sales representative for details.

Hardware Overview

The following sections outline the hardware components of the AP511 access point.

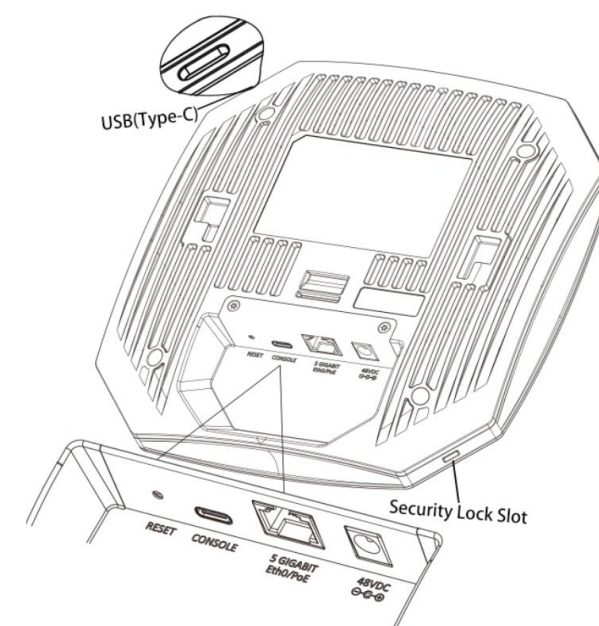
Figure 2: AP511 Front View



LED

The AP511 access point is equipped with hidden LED display that indicates different status with different color. For the details of the LED status, please refer to the Quick Start Guide.

Figure 3: AP511 Back View



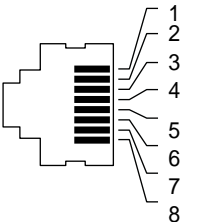
◆ AP511 External Interfaces

Table 1

Interface	Specifications
5 GIGABIT Eth0/PoE	5GBASE-T/2.5GBASE-T/1000BASE-T/ 100BASE-TX (RJ-45) port, Power over Ethernet (PoE) 802.3at compliant.
Console	USB 2.0 device interface (Type-C, Console for Service & Support only).
USB	USB 2.0 host interface (Type-C, output current 0.5A)
DC Power Socket	DC 48V power jack, support powering AP through a designated AC-DC power adapter.
Reset	Factory reset. Press reset button for 5s, AP LEDs will quickly flash for 3s, then AP will restart and restore factory configurations.
Security Lock Slot	The AP is equipped with a security lock slot for additional security.

Table 2

Ethernet Port Pinout

Connector	Pin	Signal Name	PoE
	1	RJ45_DA+	PoE-
	2	RJ45_DA-	PoE-
	3	RJ45_DB+	PoE+
	4	RJ45_DC+	PoE+
	5	RJ45_DC-	PoE+
	6	RJ45_DB-	PoE+
	7	RJ45_DD+	PoE-
	8	RJ45_DD-	PoE-

Power

The AP511 access point supports direct DC power adapter (48V DC nominal, sold separately) and Power over Ethernet (PoE). The DC power connector port is located on the back of the device, as shown in Figure 3. The PoE allows the Ethernet port to draw power from a 48VDC IEEE 802.3at compliant source with full functionality.

Before You Begin

Refer to the sections below before beginning the installation process.

Pre-installation Checklist

Before installing your AP511 Stellar access point, be sure that you have the following items:

- 8-conductor, CAT5E or better UTP cable of required length.
 - CAT5E support 5GE up to 55meters in a high Alien noise environment, 5GE up to 100meters in a low Alien noise environment, 2.5GE up to 100meters.
- One of the following power sources:
 - DC48V IEEE 802.3at compliant Power over Ethernet (PoE) source (PoE switch or PoE injector).
 - AC-DC adapter (sold separately), output voltage DC 48V, output current $\geq 0.6A$
- A terminal or a notebook

Identifying Specific Installation Locations

You can mount the AP on a ceiling rail or on a wall, or in various common Junction boxes. You should first determine the location of the installation. The installation position is located at the center of the required coverage area and should be free from obstructions or obvious sources of interference.

- Minimize the number of obstructions (such as walls) between the AP and user terminals.
- Electronic equipment or devices (such as microwave ovens) which may produce radio frequency noise should be away from the installation position of the AP.

It is strictly prohibited to install around stagnant water, water seepage, leakage or condensation. Avoid cable condensation or water seepage along the cables connecting to the AP.

AP Installation

Refer to mounting kits installation Guide.

Verifying Post-Installation Connectivity

The LED on the AP can be used to verify that the AP is receiving power and initializing successfully.

Product Specifications

AP511 Dimensions/Weight

Unboxed AP511:

- Net Weight: 1.66lbs / 0.76kg
- Dimensions (WxDxH): 7.48 inches x 7.48 inches x 1.49 inches (190mm x 190mm x 38mm)

Environmental

- Operating:
 - Temperature: 0°C to +50°C (+32°F to +122°F)
 - Humidity: 5% to 95% non-condensing
- Storage and transportation:
 - Temperature: -40°C to +70°C (-40°F to +158°F)

For additional specifications on this product, please refer to the Datasheet.