

天线规格承认书

Antenna Specification for Approval

Manufacturer: WEI SHENG DA TOYS FACTORY

Address: CHENGHAI DISTRICT, SHANTOU CITY, GUANGDONG PROVINCE, CHINA

Product Name: 2.4G 天线 全长35mm,黑色

客户型号:

Product Name: _____

产品料号:

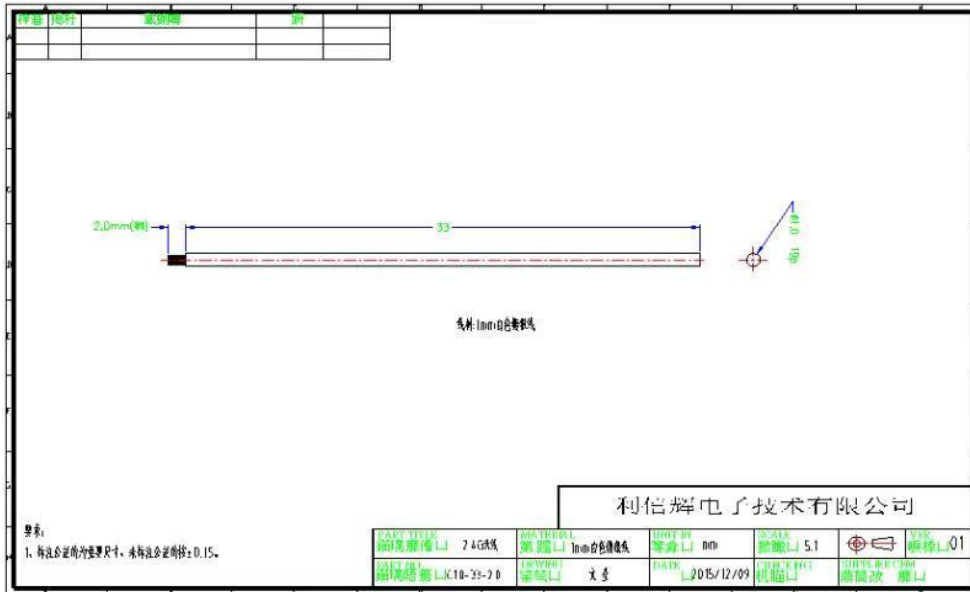
Part NO.: C35-1.1

制表:

Write By: 周小敏

日期:

Issued Date: 2019-7-20



Product Specification

A. Electrical Characteristics

Frequency 2400MHz ~2500MHz

VSWR <3.0

Efficiency >50%

Impedance 50 Ohm

Polarization Line

Gain 0.17DBi

B. Material & Mechanical Characteristics

Material of Radiator Cu

Cable Type 1.13

Connector Type : NO

Dimension

C. Environmental

Operation Temperature - 30 °C ~ + 80 °C

Storage Temperature - 30 °C ~ + 85 °C

Test Equipment & Conditions

1. Network Analyzers :

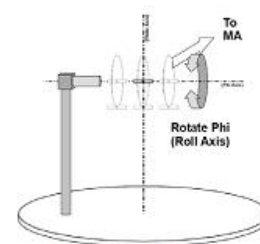
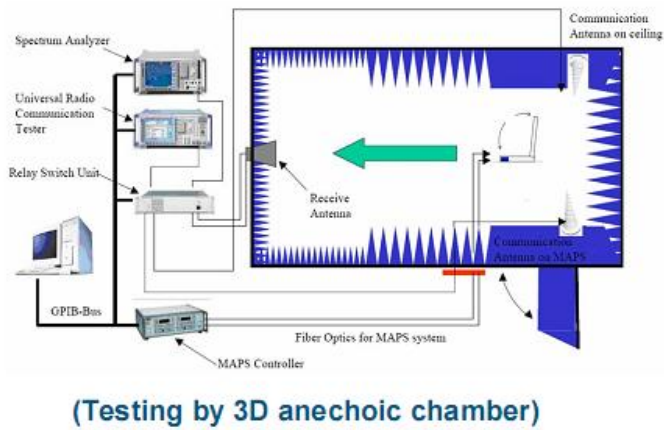
Agilent 8753D 5071B

2. Communications Test Set:

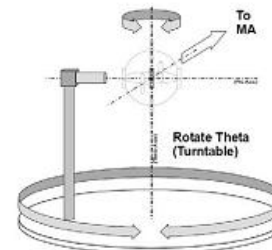
Agilent E5515C

3. 3D Chamber Test System

Efficiency & Gain



Phi axis test

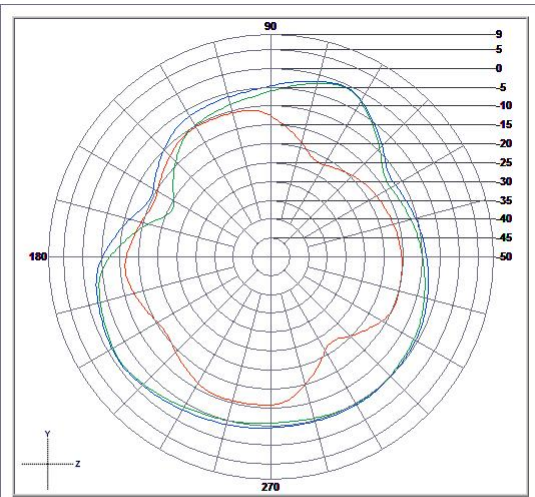


Theta axis test

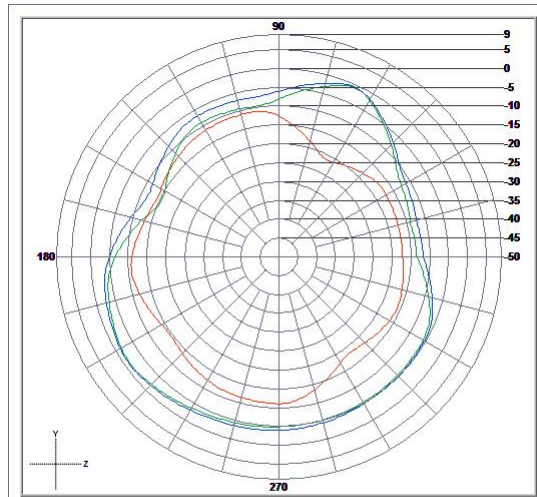
Efficiency & Gain

2.40	-0.01
2.440	0.12
2.48	0.17

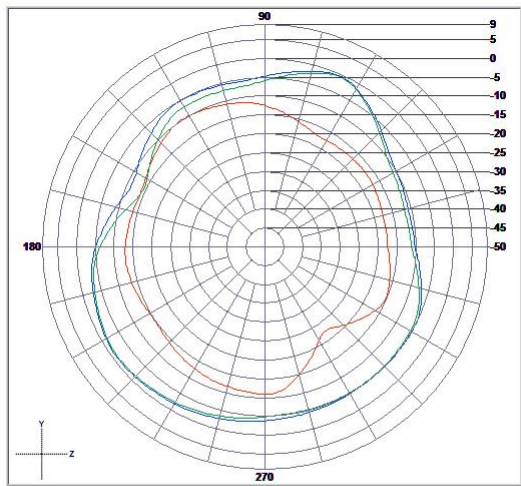
Radiation Pattern:



	Vertical	Horizontal	Total
Avg. Gain	-13.14	-5.08	-4.45
Peak Gain	-10.08	-0.03	-0.01



	Vertical	Horizontal	Total
Avg. Gain	-13.34	-5.06	-4.46
Peak Gain	-10.3	0.09	0.12



	Vertical	Horizontal	Total
Avg. Gain	-13.42	-4.6	-4.06
Peak Gain	-9.47	0.1	0.17

