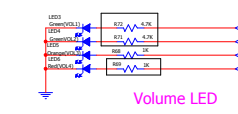
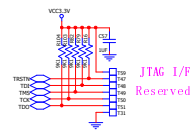
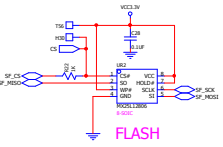
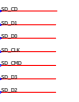
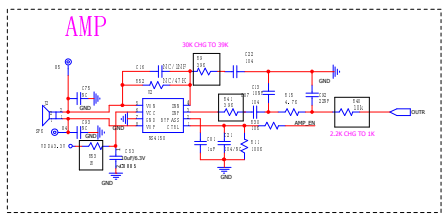
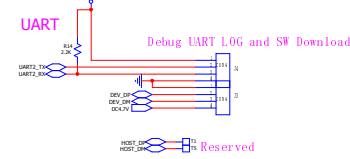


U1	ATmega328P	1	1
U2	ATmega328P	1	1
U3	ATmega328P	1	1
U4	ATmega328P	1	1
U5	ATmega328P	1	1
U6	ATmega328P	1	1
U7	ATmega328P	1	1
U8	ATmega328P	1	1
U9	ATmega328P	1	1
U10	ATmega328P	1	1
U11	ATmega328P	1	1
U12	ATmega328P	1	1
U13	ATmega328P	1	1
U14	ATmega328P	1	1
U15	ATmega328P	1	1
U16	ATmega328P	1	1
U17	ATmega328P	1	1
U18	ATmega328P	1	1
U19	ATmega328P	1	1
U20	ATmega328P	1	1
U21	ATmega328P	1	1
U22	ATmega328P	1	1
U23	ATmega328P	1	1
U24	ATmega328P	1	1
U25	ATmega328P	1	1
U26	ATmega328P	1	1
U27	ATmega328P	1	1
U28	ATmega328P	1	1
U29	ATmega328P	1	1
U30	ATmega328P	1	1
U31	ATmega328P	1	1
U32	ATmega328P	1	1
U33	ATmega328P	1	1
U34	ATmega328P	1	1
U35	ATmega328P	1	1
U36	ATmega328P	1	1
U37	ATmega328P	1	1
U38	ATmega328P	1	1
U39	ATmega328P	1	1
U40	ATmega328P	1	1
U41	ATmega328P	1	1
U42	ATmega328P	1	1
U43	ATmega328P	1	1
U44	ATmega328P	1	1
U45	ATmega328P	1	1
U46	ATmega328P	1	1
U47	ATmega328P	1	1
U48	ATmega328P	1	1
U49	ATmega328P	1	1
U50	ATmega328P	1	1
U51	ATmega328P	1	1
U52	ATmega328P	1	1
U53	ATmega328P	1	1
U54	ATmega328P	1	1
U55	ATmega328P	1	1
U56	ATmega328P	1	1
U57	ATmega328P	1	1
U58	ATmega328P	1	1
U59	ATmega328P	1	1
U60	ATmega328P	1	1
U61	ATmega328P	1	1
U62	ATmega328P	1	1
U63	ATmega328P	1	1
U64	ATmega328P	1	1
U65	ATmega328P	1	1
U66	ATmega328P	1	1
U67	ATmega328P	1	1
U68	ATmega328P	1	1
U69	ATmega328P	1	1
U70	ATmega328P	1	1
U71	ATmega328P	1	1
U72	ATmega328P	1	1
U73	ATmega328P	1	1
U74	ATmega328P	1	1
U75	ATmega328P	1	1
U76	ATmega328P	1	1
U77	ATmega328P	1	1
U78	ATmega328P	1	1
U79	ATmega328P	1	1
U80	ATmega328P	1	1
U81	ATmega328P	1	1
U82	ATmega328P	1	1
U83	ATmega328P	1	1
U84	ATmega328P	1	1
U85	ATmega328P	1	1
U86	ATmega328P	1	1
U87	ATmega328P	1	1
U88	ATmega328P	1	1
U89	ATmega328P	1	1
U90	ATmega328P	1	1
U91	ATmega328P	1	1
U92	ATmega328P	1	1
U93	ATmega328P	1	1
U94	ATmega328P	1	1
U95	ATmega328P	1	1
U96	ATmega328P	1	1
U97	ATmega328P	1	1
U98	ATmega328P	1	1
U99	ATmega328P	1	1
U100	ATmega328P	1	1

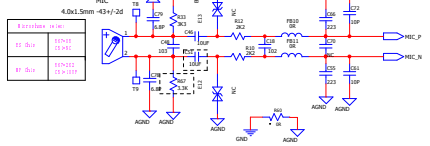


Close to IC



18	100k	100k
19	100k	100k
20	100k	100k
21	100k	100k
22	100k	100k
23	100k	100k
24	100k	100k
25	100k	100k
26	100k	100k
27	100k	100k
28	100k	100k
29	100k	100k
30	100k	100k
31	100k	100k
32	100k	100k
33	100k	100k
34	100k	100k
35	100k	100k
36	100k	100k
37	100k	100k
38	100k	100k
39	100k	100k
40	100k	100k
41	100k	100k
42	100k	100k
43	100k	100k
44	100k	100k
45	100k	100k
46	100k	100k
47	100k	100k
48	100k	100k
49	100k	100k
50	100k	100k
51	100k	100k
52	100k	100k
53	100k	100k
54	100k	100k
55	100k	100k
56	100k	100k
57	100k	100k
58	100k	100k
59	100k	100k
60	100k	100k
61	100k	100k
62	100k	100k
63	100k	100k
64	100k	100k
65	100k	100k
66	100k	100k
67	100k	100k
68	100k	100k
69	100k	100k
70	100k	100k
71	100k	100k
72	100k	100k
73	100k	100k
74	100k	100k
75	100k	100k
76	100k	100k
77	100k	100k
78	100k	100k
79	100k	100k
80	100k	100k
81	100k	100k
82	100k	100k
83	100k	100k
84	100k	100k
85	100k	100k
86	100k	100k
87	100k	100k
88	100k	100k
89	100k	100k
90	100k	100k
91	100k	100k
92	100k	100k
93	100k	100k
94	100k	100k
95	100k	100k
96	100k	100k
97	100k	100k
98	100k	100k
99	100k	100k
100	100k	100k

MIC



This part should not contain any substances which are specified in ESD-002(R04G)

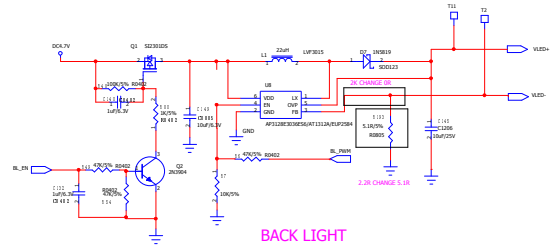
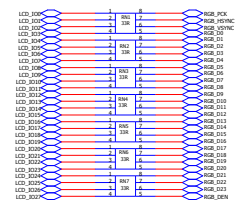
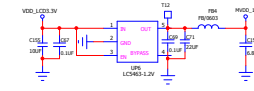
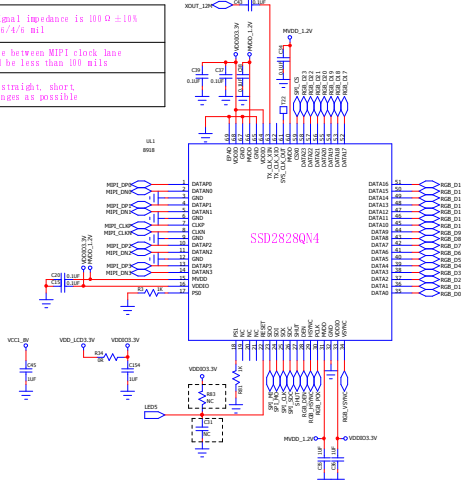
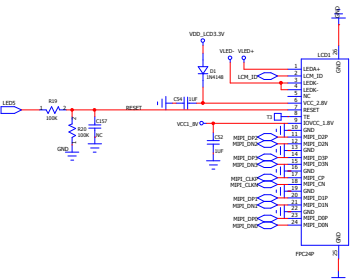
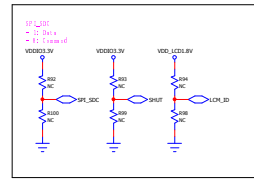
Purchase ink,paint,wire rods,and molding resins only from the business partners that ALFORD approves as Green Partners

ALFORD INDUSTRIES LTD.	
TITLE	REV
DESIGNER	DATE
CHECKED BY	DATE
APPROVED BY	DATE

# 5" TFT LCD

# NC

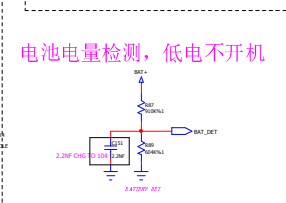
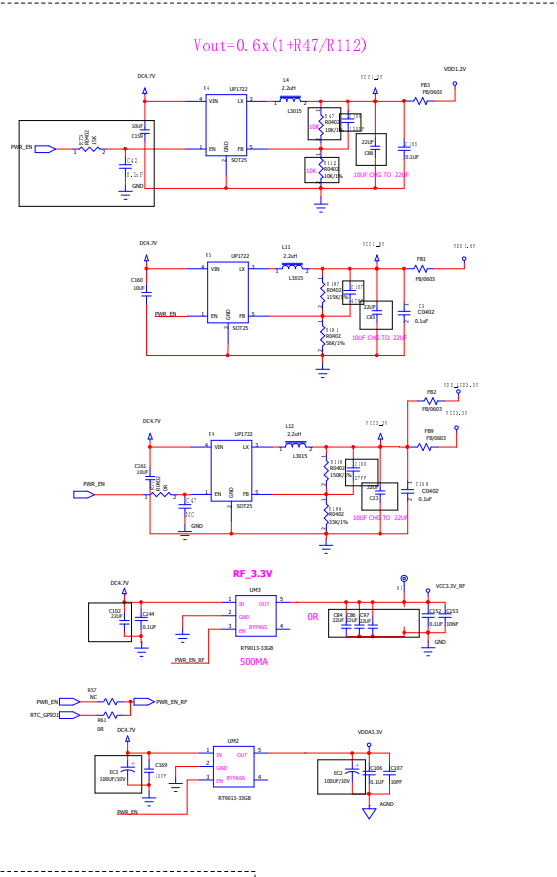
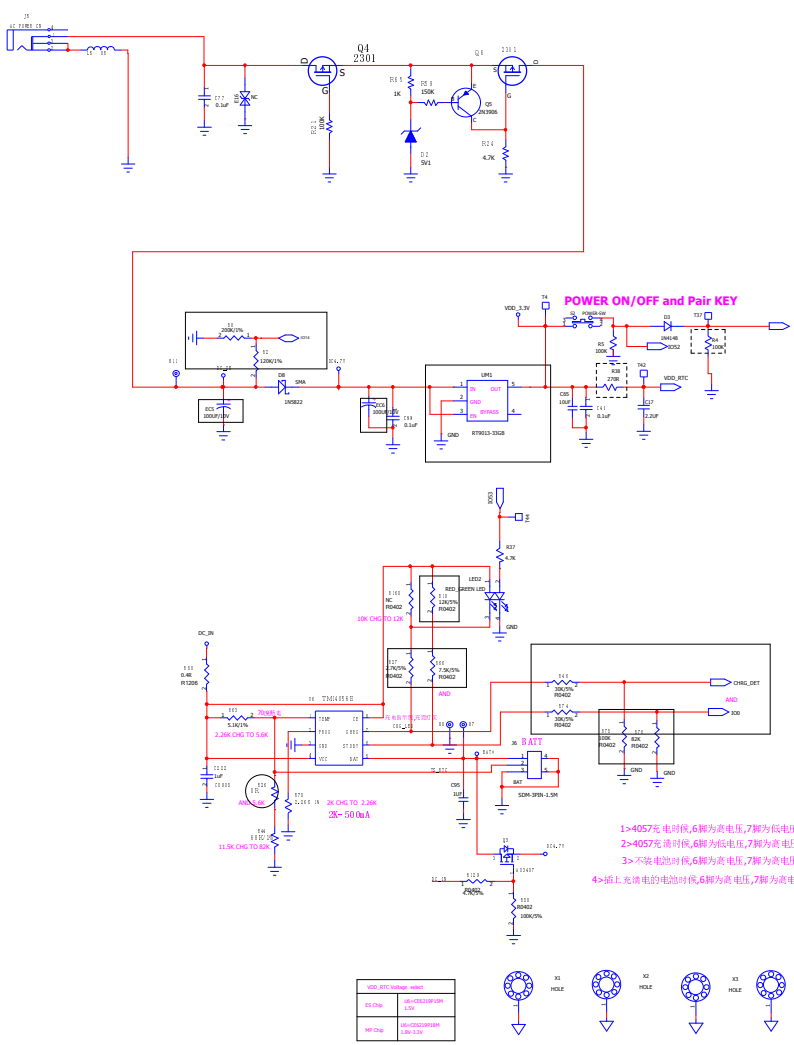
1. MPI differential signal impedance is  $100 \Omega \pm 10\%$   
trace/space/trace : 6/4/6 mil
2. The length difference between MPI clock lane and data lane should be less than 100 mils
3. Traces must be kept straight, short and as few layer changes as possible



This part should not contain any substances which are specified in EHS-002(R04G)

Purchase ink,paint,wire rods,and molding resins only from the business partners that ALFORD approves as Green Partners

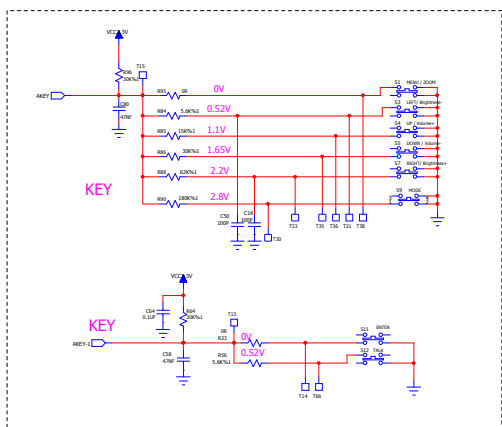
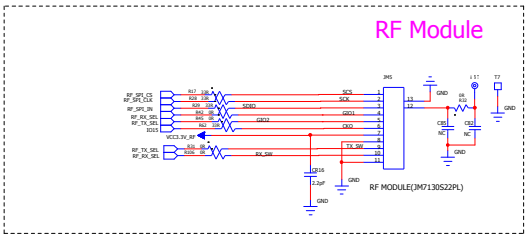
ALFORD INDUSTRIES LTD.	
TITLE :	REVISED
INDEXED NO :	5998-RK-LCD
DESIGNED BY :	REV :
CHECKED BY :	DATE :
APPROVED BY :	DATE :



This part should not contain any substances which are specified in RoHS (2002/95/EC).

Purchase ml\_pcb\_mil\_euro\_and\_molding\_resins only from the business partners that ALFORD approves as Green Partners.

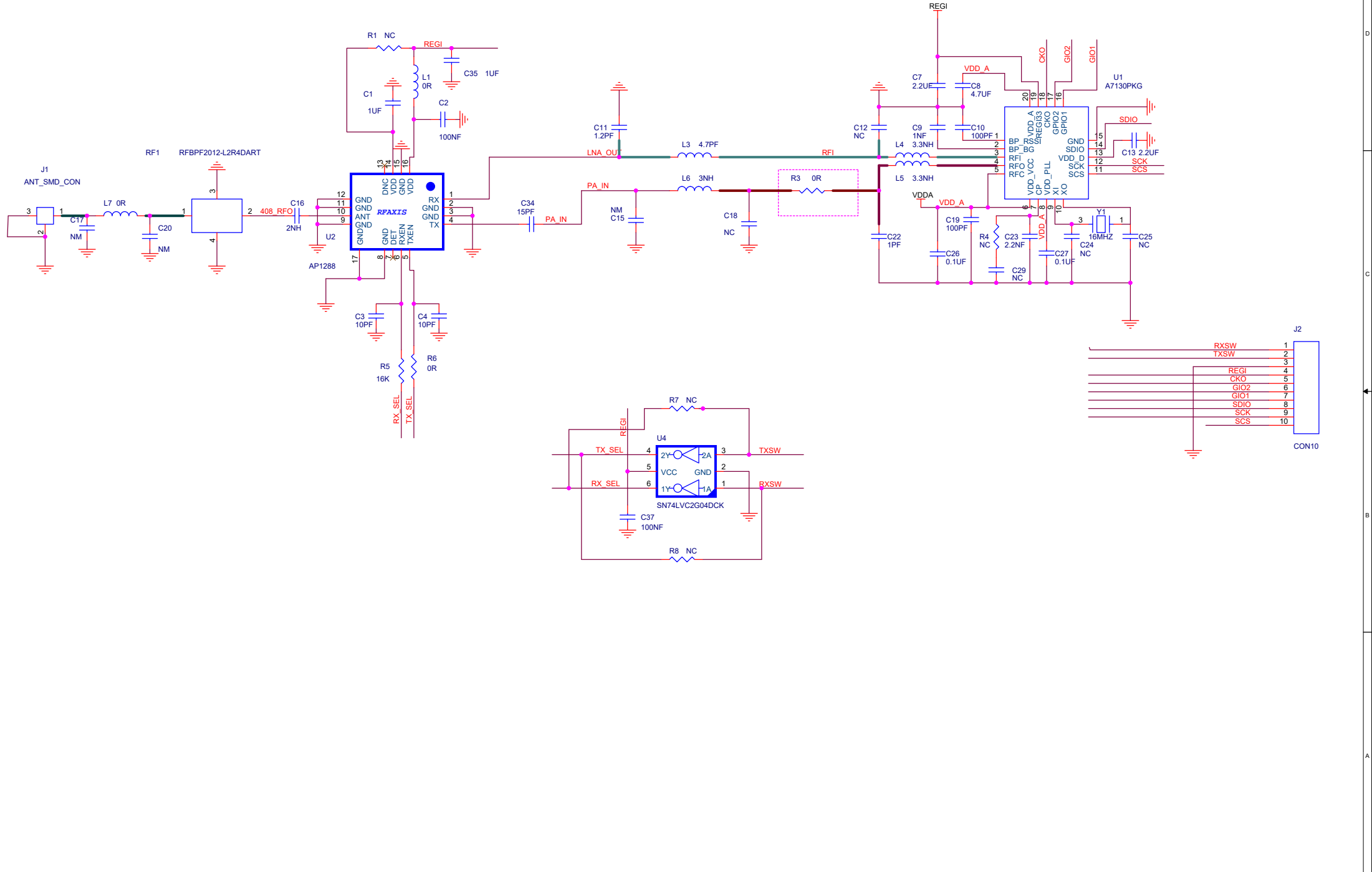
<b>ALFORD INDUSTRIES LTD.</b>			
TITLE	SI 8000	REV	WD
ISSUE NO.	SI8000-RO-POWER	DATE	2015/04
DRAWING NO.	1	DATE	2015/04
CHECKED BY		DATE	2015/04
APPROVED BY		DATE	2015/04



This part should not contain any substances which are specified in IEC 60325(EN)

Purchase ink, paint, wire rod, and molting resins only from the business partners that ALFORD approves as Green Partners

ALFORD INDUSTRIES LTD.			
TITLE :	481008		
DESIGN NO. :	SM50-13-08		
DESIGNER / DRA :	A	REV. :	001
CHECKED BY :		DATE :	2022-09-13
APPROVED BY :		DATE :	2022-09-13



J2

1	RXSW
2	TXSW
3	
4	REGI
5	CKO
6	GIO2
7	GIO1
8	SDIO
9	SCK
10	SCS

CON10

