



Additional Information

All CINEMOOD products have the required certificates and are fully compliant with the relevant norms and standards.

CINEMOOD Trendsetters co. 2711 Centerville Road, Suite 400, Wilmington, New Castle County, Delaware 19808.

Assembled in China.

24/7 Email Support: support@cinemood.com

For more details on the product's certificates, see www.cinemood.com

Date of production is the first four characters of the serial number (YYMM).



CINEMOOD CNMD0020
FCC ID: 2AKIN-CNMD0020



Welcome to our family!

Join our communities of 80,000 families across 140 countries.

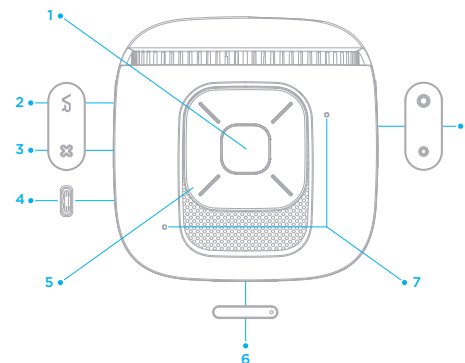


[instagram.com/cinemood_usa](https://www.instagram.com/cinemood_usa)








[facebook.com/groups/cinemood](https://www.facebook.com/groups/cinemood)

Controls



- | | |
|---|--|
| 1 Central Button | 5 Navigation Buttons - Left, Right, UP, Down, Center |
| 2 VR Button | 6 SIM slot |
| 3 Back Button | 7 Microphones |
| 4 Type-C for Charging with included USB cable | 8 Focus Adjustment for picture clarity |

Basic Controls and Functions***

Button	Action	Result
	Short Click	Go to VR games folder
	Hold for 5 sec	Startup / Boot Device
	Hold for 5 sec	Power Off Screen
	Hold for 2 sec	Additional Menu Screen
	Short Click	Ok / Select
	Short Click	Navigates Left / Right
	Click in Main Menu	Navigates Up / Down
	Click when viewing content	Volume Up / Down
	Click when viewing content	Pause, then Exit Content

***We are constantly improving your experience; therefore, control functions might change. For the latest functionalities, please visit www.cinemood.com/support

Getting Started

- Press and hold the CENTER button for 5 seconds to switch the device on or off.
- Turn off or dim your room's lights to get the best quality video resolution
- Direct the projector beam of the CINEMOOD onto the surface you want to watch with, such as a wall or ceiling and adjust focus using the buttons on the right side of the device (#8).
- You can control your CINEMOOD using buttons on the top of the device (see controls graphic).

Set Up Your Device

- Download the CINEMOOD App from Apple Store or Google Play to set up your device easily. You must enable bluetooth on your smartphone to connect with the device via the App.
- Follow the onscreen instructions in the CINEMOOD App or on the device.
- During setup connect your CINEMOOD TV to your Wi-Fi network. This will allow you to update software, watch preloaded content from the cloud, download embedded content, and install applications like Netflix or Prime Video immediately after setup.
- You can add your bank card under "Settings" allowing you to subscribe to integrated services and make it easier to purchase additional content.**
- After initial setup, check for and install any updates by navigating to the "About" section under "Settings" to ensure your device has the current firmware to avoid potential issues or errors using internal content or applications.



**Your information is 100% secure via reputable third party sites and you will not receive spam.

Technical Characteristics

Dimensions

- Size: 3.3 in x 3.3 in x 3.3 in
- Weight: 95 lbs

Performance

- Up to 5 hours of battery life
- Type-C connector
- Memory: 8/40/72/136/264 GB (depends on model)*
- Built-In 3W speaker
- Wi-Fi 802.11 b/g/n 2.4/5 GHz
- Bluetooth 4.1
- MIC(Echo cancelling)
- Max charging: 2Amp

*Available storage is less due to device software.

Congratulations!

You have finally got your hands on the CINEMOOD TV – the mini projector with 360 capability for family entertainment. We have developed this product with inspiration and care so that you can enjoy more time with your family.

You are just one button away from bringing magic into your home. To get started with your CINEMOOD, carefully read this Quick Start Guide. See www.cinemood.com/support for more details.

If you have any issues or questions, before you return the product, contact us at support@cinemood.com or call us directly at 1-800-350-6107. Support Hours are M-F 9am -10pm EST or 24/7 via email.



You can find a more in-depth User Manual as well as an extensive list of videos tutorials to support you getting started and using your CINEMOOD TV by scanning the QR Code or going to www.cinemood.com/support

Instructions and Safety

- Do not block the ventilation grids of your CINEMOOD. This may cause overheating.
- Do not expose your CINEMOOD to direct sunlight for extended periods of time.
- Keep your CINEMOOD away from water, other liquids, and dust.
- Do not disassemble your CINEMOOD. This will void your warranty and could cause electric shock.
- Be careful with your projector lens. Scratches are possible from the excess force and may affect your overall viewing experience.
- Store your CINEMOOD in room temperature, stable, and safe area.
- Do not look directly into the beam as prolonged exposure could damage eyesight.
- Avoid dropping the device or exposing the device to extreme vibrations as it may damage internal components.

Charging the Battery

To charge the CINEMOOD TV battery, you should:

Switch off the device and plug-in the charging cable and the power adaptor supplied with the CINEMOOD. A red light will appear to indicate that your mini cinema projector is charging.

Wait until the power indicator light changes from red to green. This means that the CINEMOOD is fully charged and ready for use.

The CINEMOOD will only charge when it is switched off. Note: you can still operate the device when it is plugged in it but it will not be actively charging.

What's in the Box

- CINEMOOD TV
- USB Type-C cable
- Handler

FCC Caution:

Any Changes or modifications not expressly approved by the party responsible for compliance could void the user's authority to operate the equipment. This device complies with part 15 of the FCC Rules. Operation is subject to the following two conditions: (1) This device may not cause harmful interference, and (2) this device must accept any interference received, including interference that may cause undesired operation.

Note: This equipment has been tested and found to comply with the limits for a Class B digital device, pursuant to part 15 of the FCC Rules. These limits are designed to provide reasonable protection against harmful interference in a residential installation. This equipment generates, uses and can radiate radio frequency energy and, if not installed and used in accordance with the instructions, may cause harmful interference to radio communications. However, there is no guarantee that interference will not occur in a particular installation. If this equipment does cause harmful interference to radio or television reception, which can be determined by turning the equipment off and on, the user is encouraged to try to correct the interference by one or more of the following measures:

- 1) Reorient or relocate the receiving antenna.
- 2) Increase the separation between the equipment and receiver. Connect the equipment into an outlet on a circuit different from that to which the receiver is connected.
- 3) Consult the dealer or an experienced radio/TV technician for help.

Specific Absorption Rate (SAR) information:

This Optical projector meets the government's requirements for exposure to radio waves. The guidelines are based on standards that were developed by independent scientific organizations through periodic and thorough evaluation of scientific studies. The standards include a substantial safety margin designed to assure the safety of all persons regardless of age or health. FCC RF Exposure Information and Statement the SAR limit of USA (FCC) is 1.6 W/kg averaged over one gram of tissue.

Device types: Optical projector has also been tested against this SAR limit (Max SAR:0.723W/kg). This device kept 10mm from the body. . The use of accessories that do not satisfy these requirements may not comply with FCC RF exposure requirements, and should be avoided.