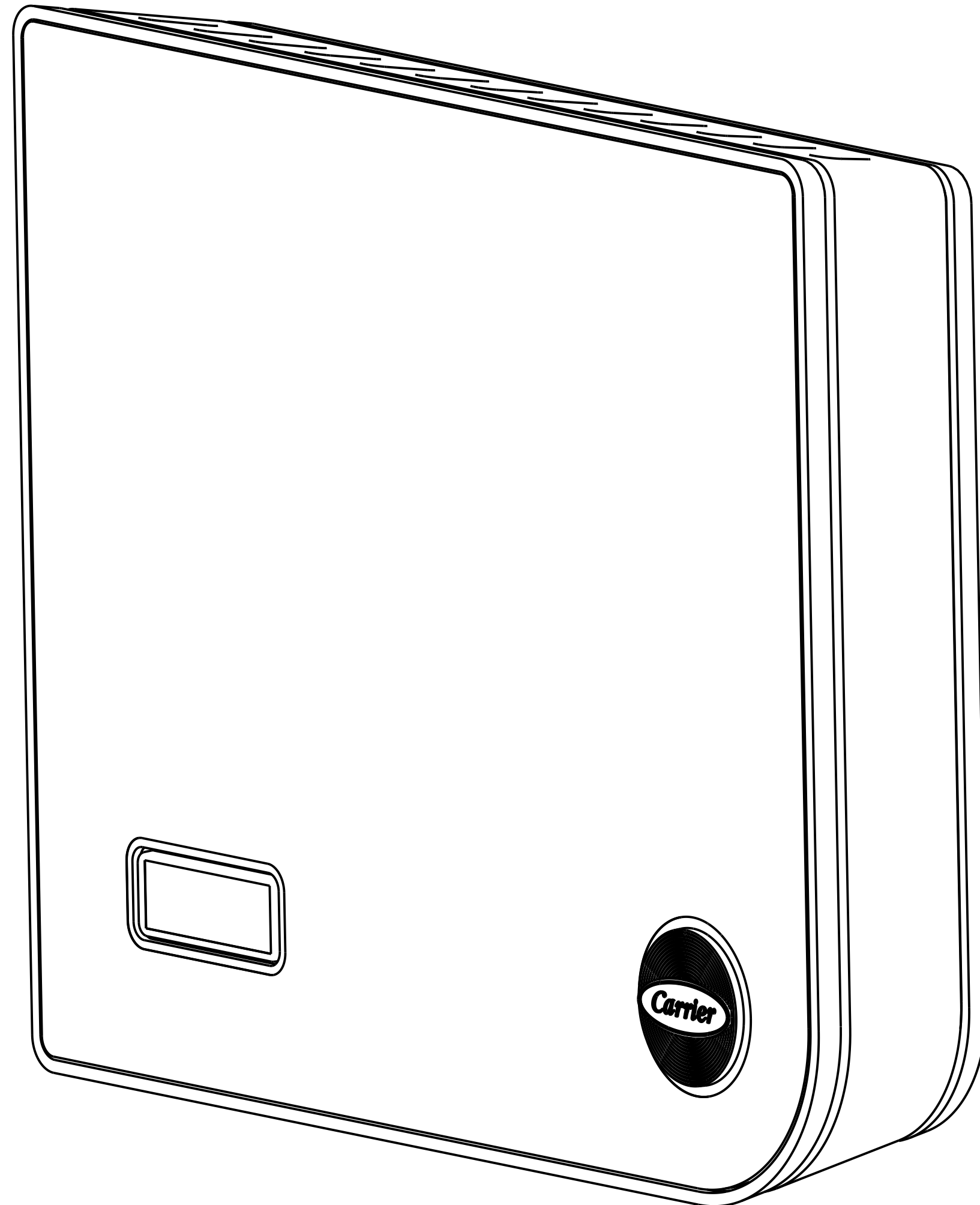


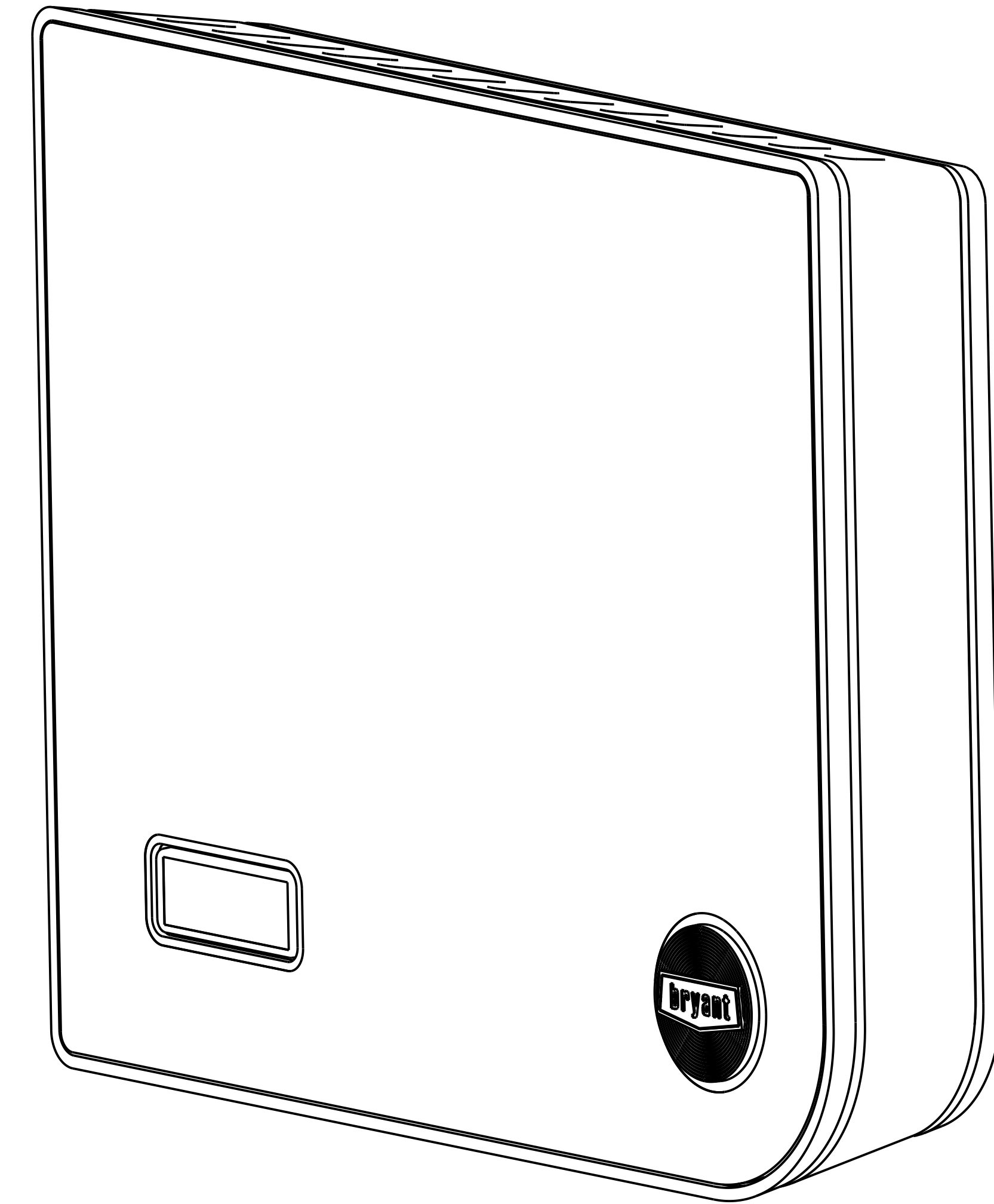
LTR	REVISIONS	PCN NO.	DATE	CHK	ENGR
A	INITIAL RELEASE	30782	05/11/17	TL	TL

NOTES:

1. COMPONENTS SHALL BE SPECIFIED BY THE CORRESPONDING BILL OF MATERIAL.
2. MARKING:
 - 2.1 MARKING INFORMATION.
 - 2.1.1 DATE CODE, MANUFACTURING LOCATION (W), AND SERIAL NUMBER IN BOTH BAR CO AND HUMAN READABLE FORMATS TO BE MARKED ON WHITE PATCH ON REAR FACING SURFACE OF CIRCUIT BOARD AND THE CORRESPONDING PART NUMBER IN BOTH BARCODE AND HUMAN READABLE, TO BE MARKED ON THE WHITE PATCH BELOW THE SERIAL NUMBER.
 - 2.1.2 BAR CODE TO BE CODE 128
 - 2.1.3 BAR CODE MUST BE EASILY SCANNED AFTER ASSEMBLY OF REAR HOUSING.
 - 2.2 MANUFACTURER'S OPT AND "MADE IN CHINA," LABELS TO BE PLACED ON THE WHITE PATCH ON FRONT FACING SIDE OF CIRCUIT BOARD.
 - 2.3 SOFTWARE INFORMATION
 - 2.3.1 LABEL WITH SOFTWARE VERSION, TO BE PLACED ON OUTSIDE OF REAR HOUSING
3. PACKING AND MARKING:
 - 3.1 INDIVIDUAL UNIT:
 - 3.1.1 BOX LABEL, AS CALLED OUT ON THE BOM TO BE APPLIED TO THE RIGHT SIDE OF THE INDIVIDUAL BOX.
 - 3.1.2 INDIVIDUAL BOXES TO BE BULKED PACKED IN A DOUBLE LAYER MASTER CARTON. INDIVIDUAL BOX LABELS MUST BE VISIBLE AFTER OPENING THE MASTER CARTON. SHIPPING QUANTITY TO BE 24/ MASTER CARTON.
 - 3.1.3 PART NUMBER, QUANTITY, DATE CODE, COUNTRY OF ORIGIN, AND PURCHASE ORDER NUMBER TO BE MARKED ON END MASTER CARTON.
4. PROPER PROCEDURE FOR APPLYING LCD ADHESIVE TO THE FRONT HOUSING (FROM 3M TECHNICAL BULLETIN: SURFACE PREPARATION FOR 3M9795 TAPE APPLICATIONS):
 - 4.1. WIPE FRONT HOUSING DISPLAY ADHESIVE SURFACE WITH 91 PERCENT MINIMUM ISOPROPYL ALCOHOL. ALLOW TO DRY BEFORE CONTINUING ASSEMBLING.
 - 4.2 TAPE APPLICATION TEMPERATURE RANGE IS 70°F-100°F [21°C-38°C] RECOMMENDED SURFACE TEMPERATURE OF FRONT HOUSING SHOULD NOT BE BELOW 50° F/ 10°C.
 - 4.3 INSTALL LENS AS SHOWN.
 - 4.4 REMOVE THE ADHESIVE LINER OFF THE LCD AND APPLY 25 +/-10% PSI FOR 3 SECONDS ONTO THE FRONT HOUSING.



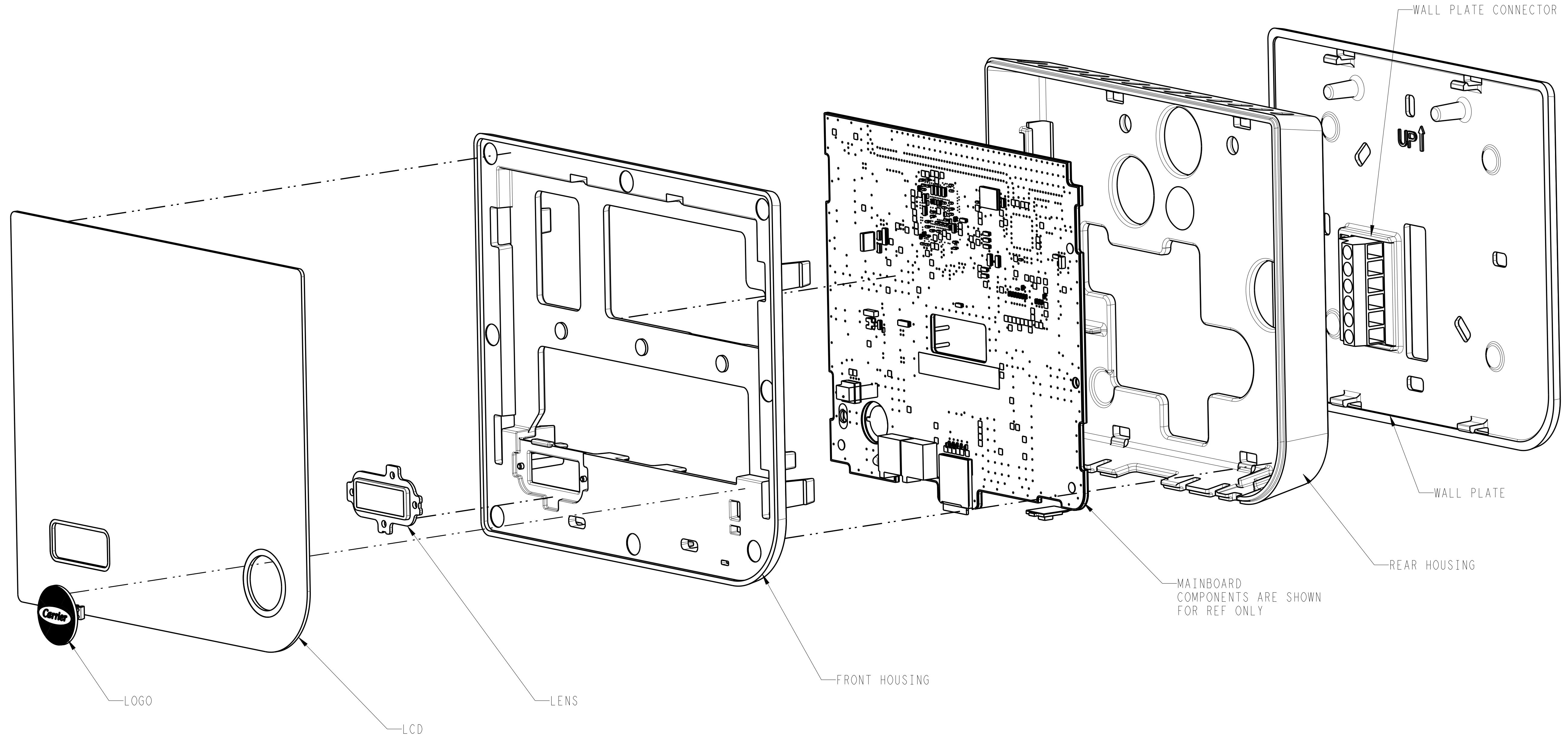
SYSTXCCITC01-B
AS SHOWN
(CARRIER)



SYSTXBBECC01-B
(BRYANT)
AS SHOWN

NA USED ON: UNLESS OTHERWISE SPECIFIED, DIMENSIONS ARE IN INCHES AND INCLUDE CHEMICALLY APPLIED OR PLATED FINISHES .X ± .03 .XX ± .02		NA NEXT ASSEMBLY: .XXX ± .010 ANGLE ± 1			3650 W. 200 N HUNTINGTON, IN 46750-9002
MATERIAL: NA		DESIGN ENGR: T.LINDLEY DATE: 09/12/16			
FINISH: NA		MFG ENGR: T.BOSTIC DATE: 05/11/17		DRAWING NUMBER SYSTXXXXXX01-B SHEET 1 OF 8	
THIS DOCUMENT CONTAINS TECHNICAL DATA SUBJECT TO THE EAR U.S. EXPORT CONTROL CLASSIFICATION NUMBER		COMP/APP ENGR: T.LINDLEY DATE: 05/11/17			REV A
THIS DOCUMENT IS THE PROPERTY OF UNITED TECHNOLOGIES ELECTRONIC CONTROLS (U.T.E.C.) AND IS DELIVERED ON THE EXPRESS CONDITION THAT IT IS NOT TO BE DISCLOSED, REPRODUCED IN WHOLE OR IN PART, OR USED FOR MANUFACTURE FOR ANYONE OTHER THAN U.T.E.C. WITHOUT ITS WRITTEN CONSENT AND THAT NO RIGHT IS GRANTED TO DISCLOSE OR SO USE ANY INFORMATION CONTAINED IN SAID DOCUMENT. THIS RESTRICTION DOES NOT LIMIT THE RIGHT TO USE INFORMATION OBTAINED FROM ANOTHER SOURCE.		TEST ENGR: NA DATE: NA		SCALE: 2:1	

LTR	REVISIONS	PCN NO.	DATE	CHK	ENGR
A	SEE SHEET 1				



D
C
B
A

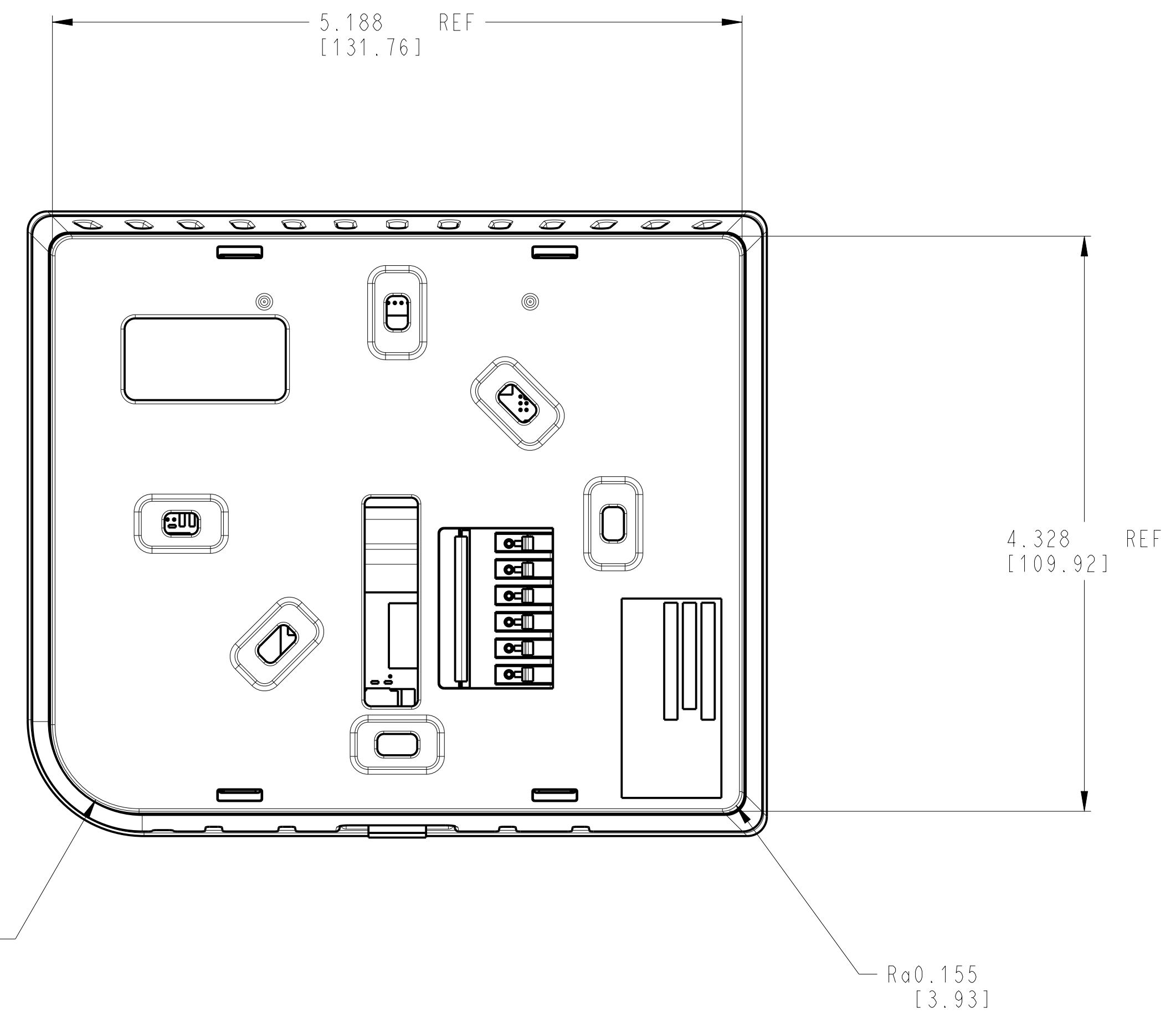
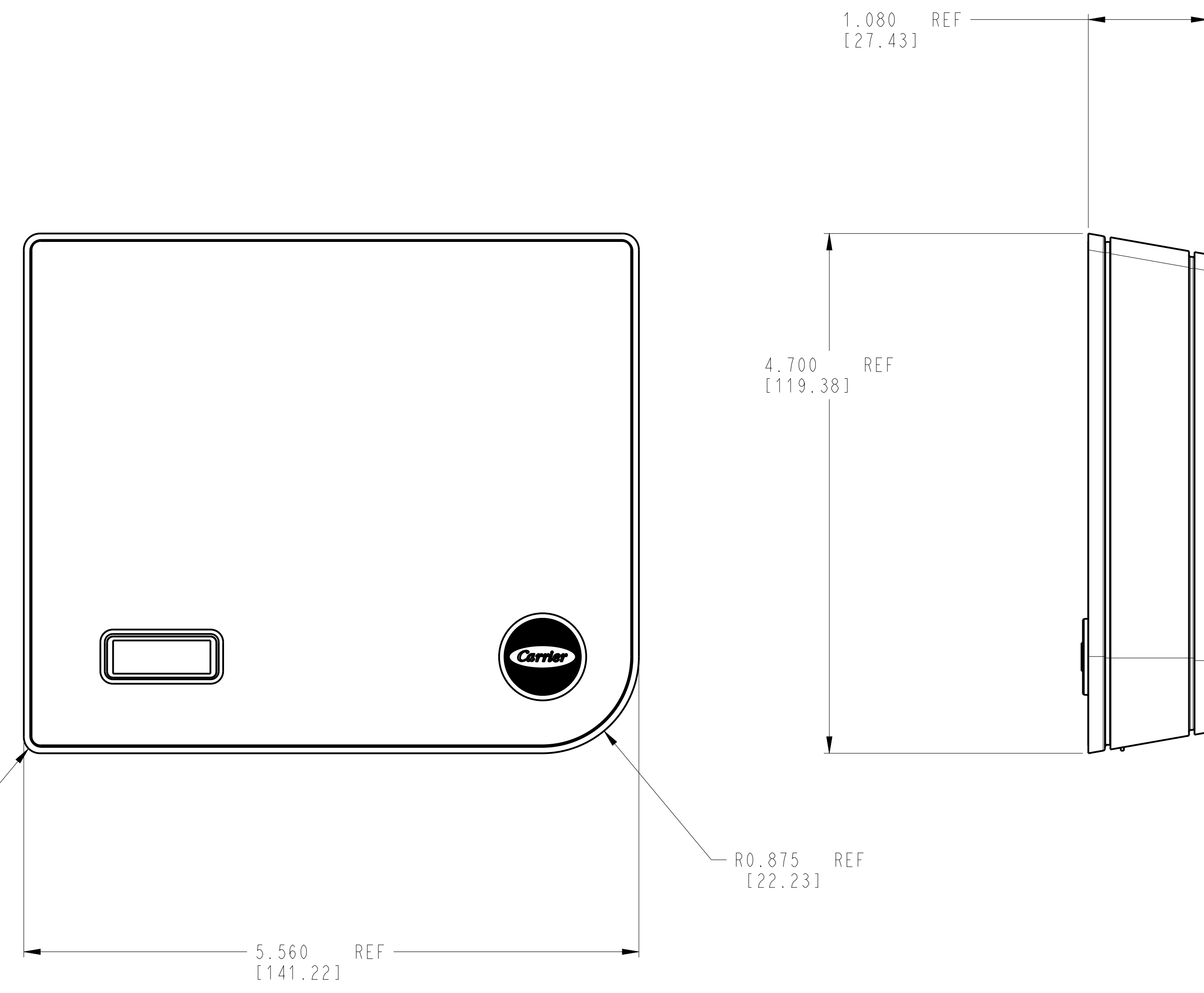
D
C
B
A

THIS DOCUMENT CONTAINS TECHNICAL DATA
 SUBJECT TO THE EAR
 U.S. EXPORT CONTROL CLASSIFICATION NUMBER
 NA

THIS DOCUMENT IS THE PROPERTY OF UNITED TECHNOLOGIES
 ELECTRONIC CONTROLS (U.T.E.C.) AND IS DELIVERED ON THE
 EXPRESS CONDITION THAT IT IS NOT TO BE DISCLOSED,
 REPRODUCED IN WHOLE OR IN PART, OR USED FOR MANUFACTURE FOR
 ANYONE OTHER THAN U.T.E.C. WITHOUT ITS WRITTEN CONSENT AND THAT
 NO RIGHT IS GRANTED TO DISCLOSE OR SO USE ANY INFORMATION
 CONTAINED IN SAID DOCUMENT. THIS RESTRICTION DOES NOT LIMIT
 THE RIGHT TO USE INFORMATION OBTAINED FROM ANOTHER SOURCE.

DRAWING NUMBER	REV
SYSTXXXXXX01-B	A

LTR	REVISIONS	PCN NO.	DATE	CHK	ENGR
A	SEE SHEET 1				

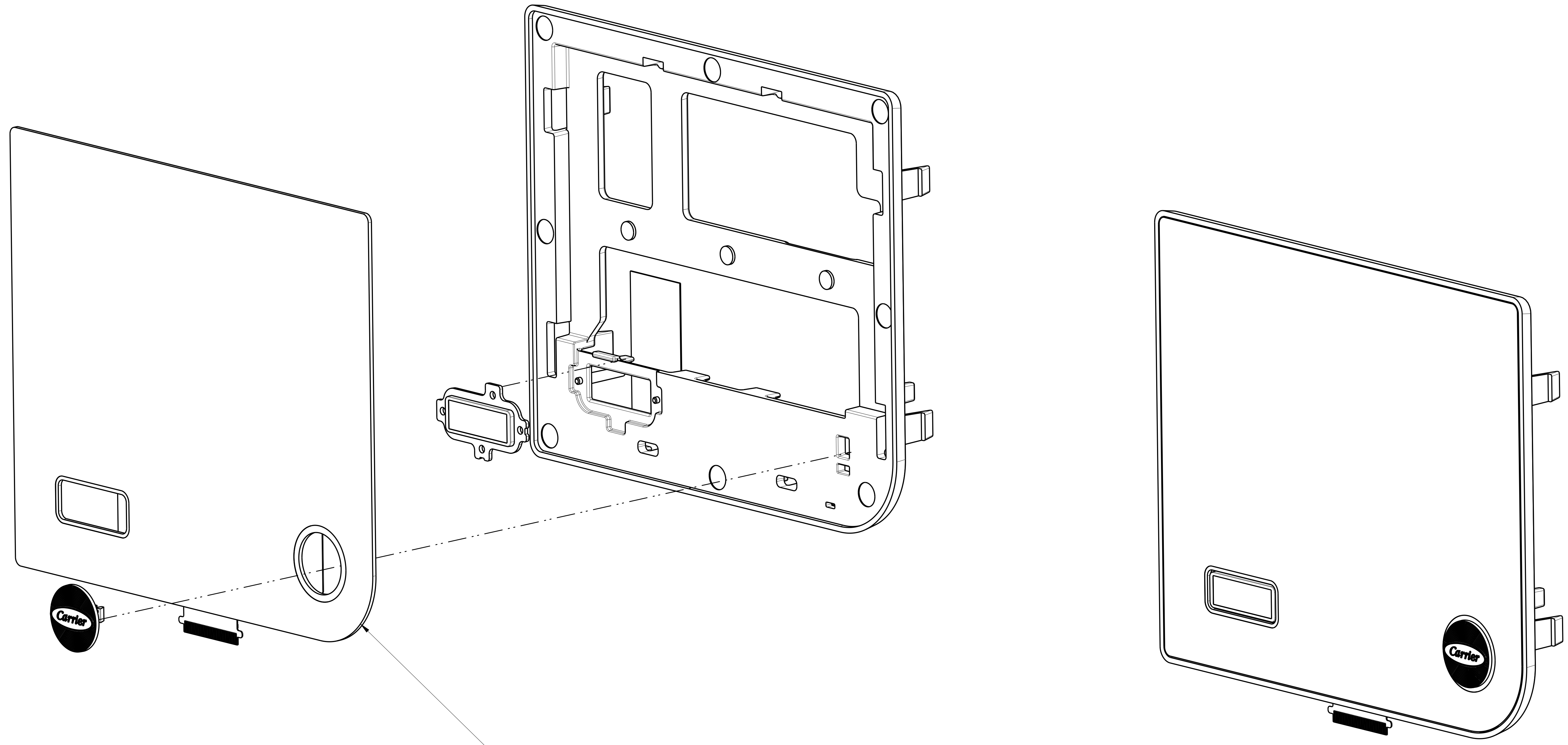


THIS DOCUMENT CONTAINS TECHNICAL DATA
 SUBJECT TO THE EAR
 U.S. EXPORT CONTROL CLASSIFICATION NUMBER
 NA

THIS DOCUMENT IS THE PROPERTY OF UNITED TECHNOLOGIES
 ELECTRONIC CONTROLS (U.T.E.C.) AND IS DELIVERED ON THE
 EXPRESS CONDITION THAT IT IS NOT TO BE DISCLOSED,
 REPRODUCED IN WHOLE OR IN PART, OR USED FOR MANUFACTURE FOR
 ANYONE OTHER THAN U.T.E.C. WITHOUT ITS WRITTEN CONSENT AND THAT
 NO RIGHT IS GRANTED TO DISCLOSE OR SO USE ANY INFORMATION
 CONTAINED IN SAID DOCUMENT. THIS RESTRICTION DOES NOT LIMIT
 THE RIGHT TO USE INFORMATION OBTAINED FROM ANOTHER SOURCE.

DRAWING NUMBER	REV
SYSTXXXXXX01-B	A
SHEET 3 OF 8	SCALE: 5:4

LTR	REVISIONS	PCN NO.	DATE	CHK	ENGR
A	SEE SHEET 1				



AFTER INSTALLING THE LENS,
SEE NOTE 4 FOR SURFACE CLEANING
AND PROPER INSTRUCTIONS,

THIS DOCUMENT CONTAINS TECHNICAL DATA
SUBJECT TO THE EAR
U.S. EXPORT CONTROL CLASSIFICATION NUMBER
NA
THIS DOCUMENT IS THE PROPERTY OF UNITED TECHNOLOGIES
ELECTRONIC CONTROLS (U.T.E.C.) AND IS DELIVERED ON THE
EXPRESS CONDITION THAT IT IS NOT TO BE DISCLOSED,
REPRODUCED IN WHOLE OR IN PART, OR USED FOR MANUFACTURE FOR
ANYONE OTHER THAN U.T.E.C. WITHOUT ITS WRITTEN CONSENT AND THAT
NO RIGHT IS GRANTED TO DISCLOSE OR SO USE ANY INFORMATION
CONTAINED IN SAID DOCUMENT. THIS RESTRICTION DOES NOT LIMIT
THE RIGHT TO USE INFORMATION OBTAINED FROM ANOTHER SOURCE.

DRAWING NUMBER	REV
SYSTXXXXXX01-B	A
SHEET 4 OF 8	SCALE: 29:16

LTR	REVISIONS	PCN NO.	DATE	CHK	ENGR
A	SEE SHEET 1				

PRIOR TO INSTALLING MAINBOARD FRONT HOUSING, ASSEMBLE FLEX THERMISTOR TO MAINBOARD ORIENTED AS SHOWN

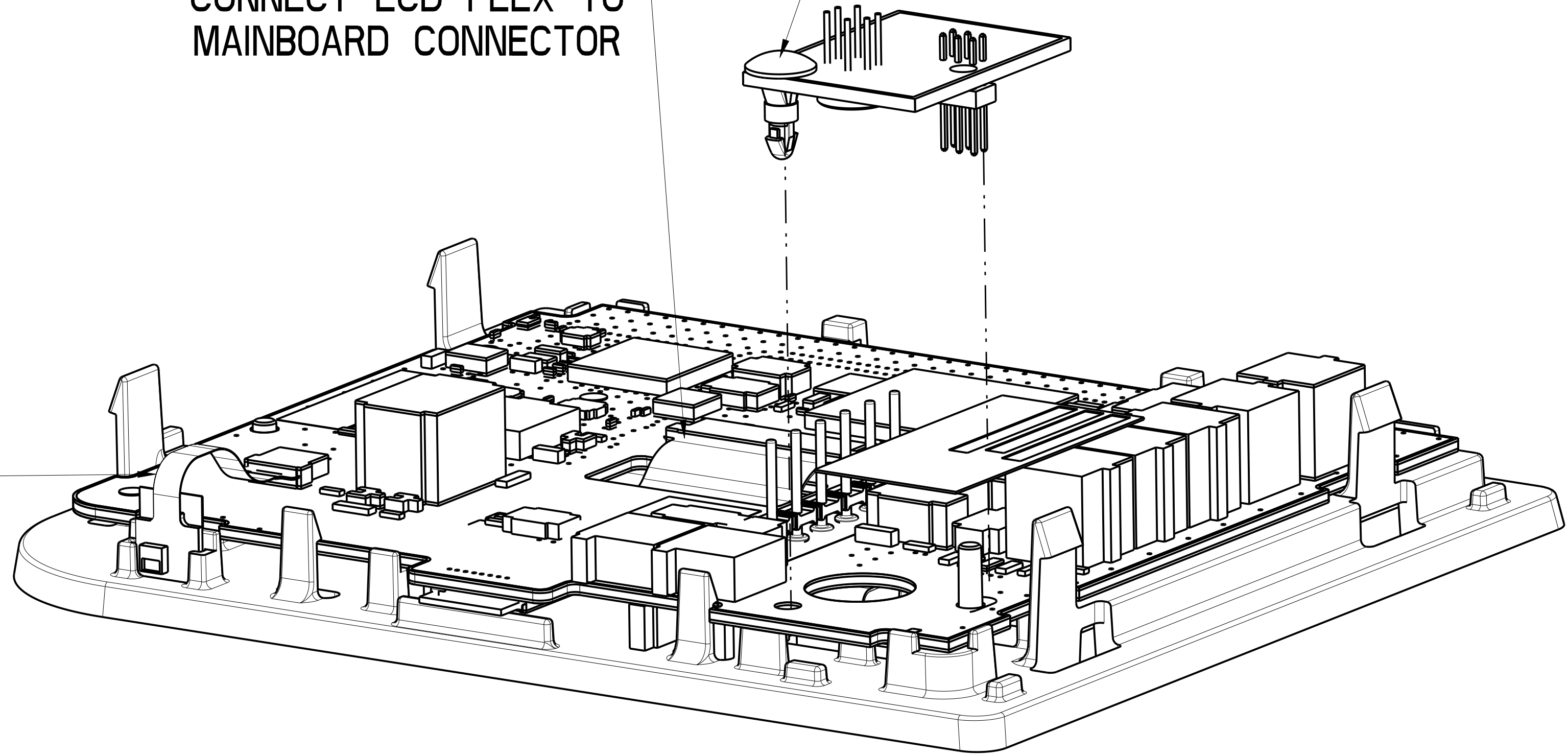
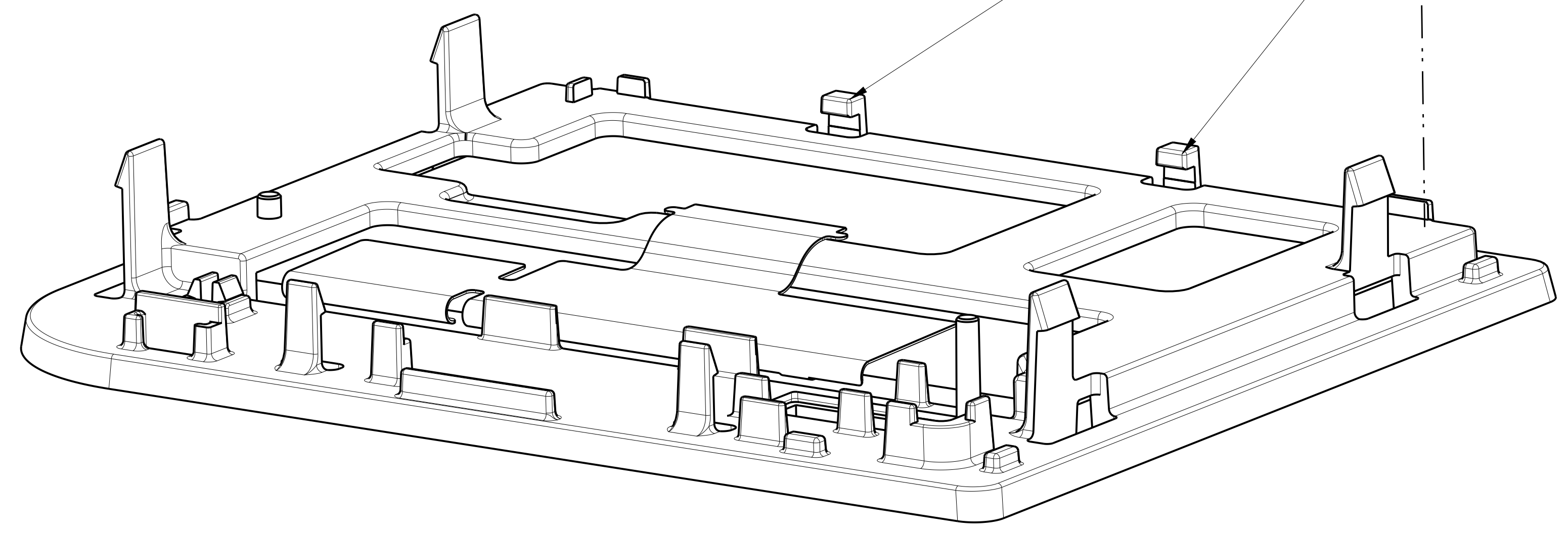
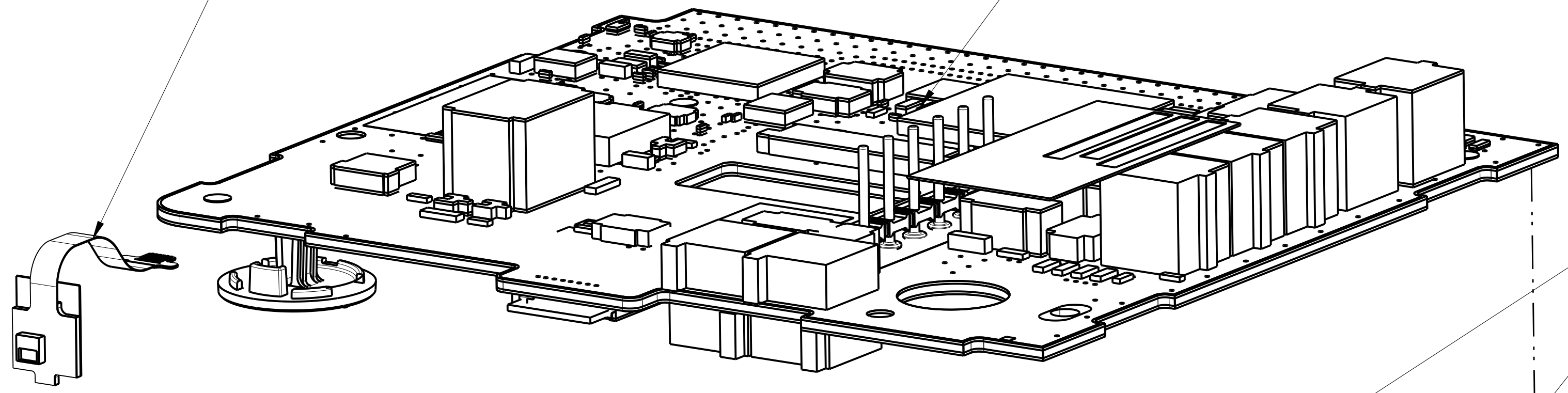
COMPONENTS SHOWN ARE FOR REF ONLY

INSTALL BOARD INTO THESE FIXED BOARD PRIOR TO FULLY INSTALLING.

ASSEMBLE DAUGHTERBOARD AND STANDOFF TO MAINBOARD ORIENTED AS SHOWN

CONNECT LCD FLEX TO MAINBOARD CONNECTOR

AFTER INSTALLING MAINBOARD TO FRONT HOUSING, ASSEMBLE TEMP/HUM FLEX TO FRONT HOUSING GUIDES ORIENTED AS SHOWN

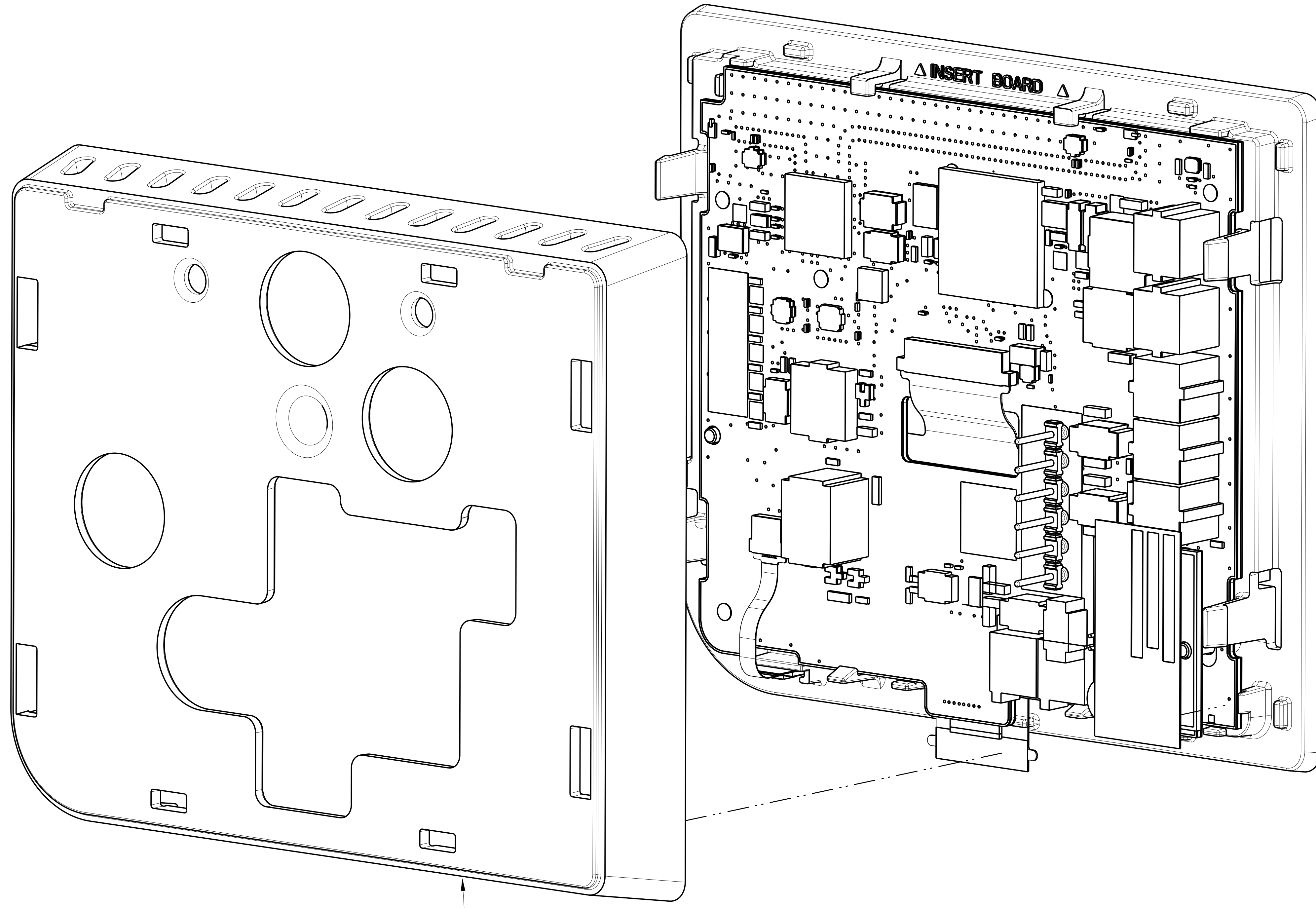


THIS DOCUMENT CONTAINS TECHNICAL DATA
SUBJECT TO THE EAR
U.S. EXPORT CONTROL CLASSIFICATION NUMBER
NA
THIS DOCUMENT IS THE PROPERTY OF UNITED TECHNOLOGIES ELECTRONIC CONTROLS (U.T.E.C.) AND IS DELIVERED ON THE EXPRESS CONDITION THAT IT IS NOT TO BE DISCLOSED, REPRODUCED IN WHOLE OR IN PART, OR USED FOR MANUFACTURE FOR ANYONE OTHER THAN U.T.E.C. WITHOUT ITS WRITTEN CONSENT AND THAT NO RIGHT IS GRANTED TO DISCLOSE OR SO USE ANY INFORMATION CONTAINED IN SAID DOCUMENT. THIS RESTRICTION DOES NOT LIMIT THE RIGHT TO USE INFORMATION OBTAINED FROM ANOTHER SOURCE.

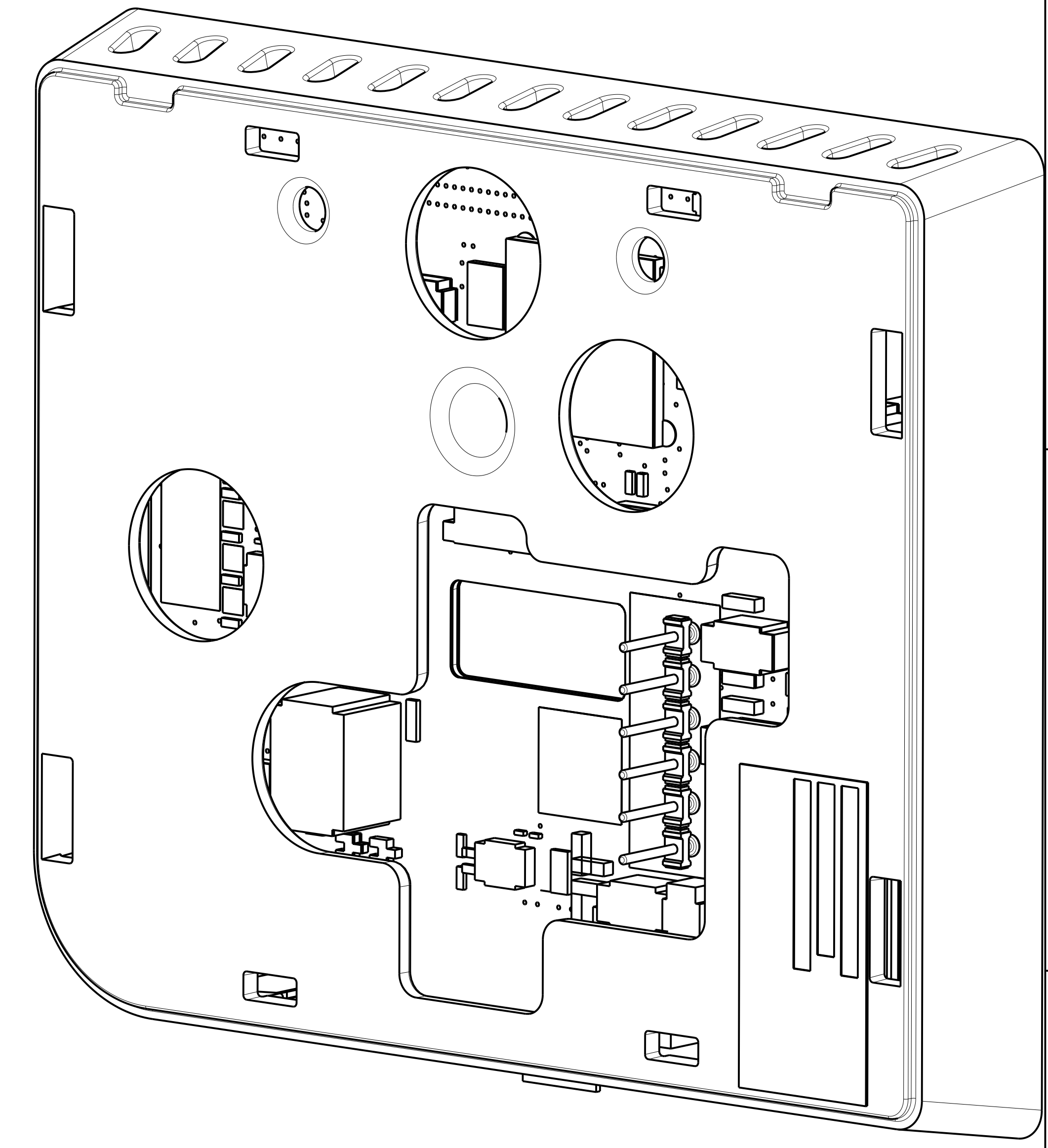
DRAWING NUMBER	REV
SYSTXXXXX01-B	A
SHEET 5 OF 8	SCALE: 37:16

8 7 6 5 4 3 2 1

LTR	REVISIONS	PCN NO.	DATE	CHK	ENGR
A	SEE SHEET 1				



ASSEMBLE REAR HOUSING TO BOARD AND FRONT HOUSING ASSEMBLY

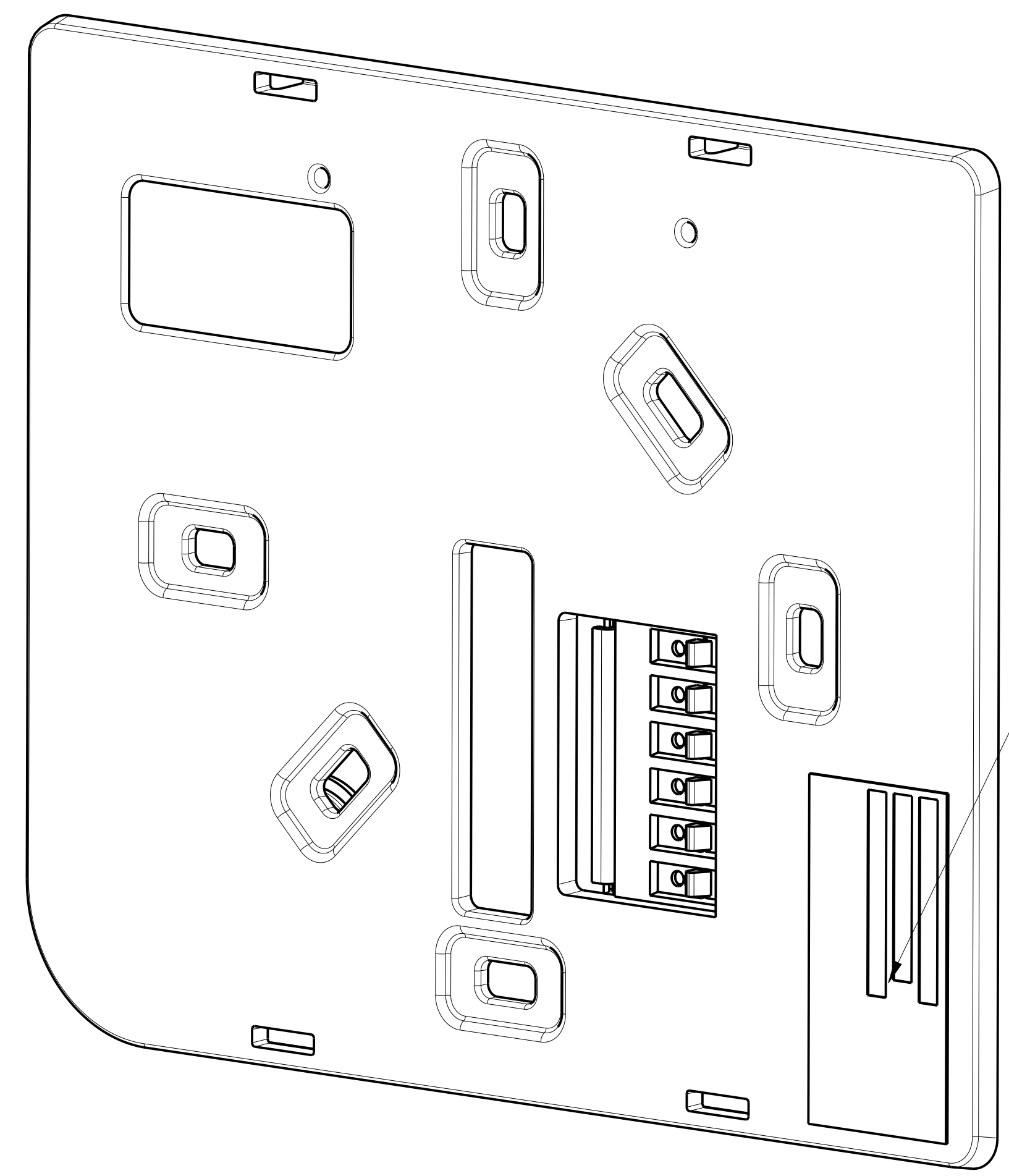


THIS DOCUMENT CONTAINS TECHNICAL DATA
 SUBJECT TO THE EAR
 U.S. EXPORT CONTROL CLASSIFICATION NUMBER
 NA
 THIS DOCUMENT IS THE PROPERTY OF UNITED TECHNOLOGIES
 ELECTRONIC CONTROLS (U.T.E.C.) AND IS DELIVERED ON THE
 EXPRESS CONDITION THAT IT IS NOT TO BE DISCLOSED,
 REPRODUCED IN WHOLE OR IN PART, OR USED FOR MANUFACTURE FOR
 ANYONE OTHER THAN U.T.E.C. WITHOUT ITS WRITTEN CONSENT AND THAT
 NO RIGHT IS GRANTED TO DISCLOSE OR SO USE ANY INFORMATION
 CONTAINED IN SAID DOCUMENT. THIS RESTRICTION DOES NOT LIMIT
 THE RIGHT TO USE INFORMATION OBTAINED FROM ANOTHER SOURCE.

DRAWING NUMBER	REV
SYSTXXXXXX01-B	A

8 7 6 5 4 3 2 1

LTR	REVISIONS	PCN NO.	DATE	CHK	ENGR
A	SEE SHEET 1				



INSTALL FCC LABEL
ORIENTED AS SHOWN

WALLPLATE AND FCC LABEL ASSEMBLY

D
C
B
A

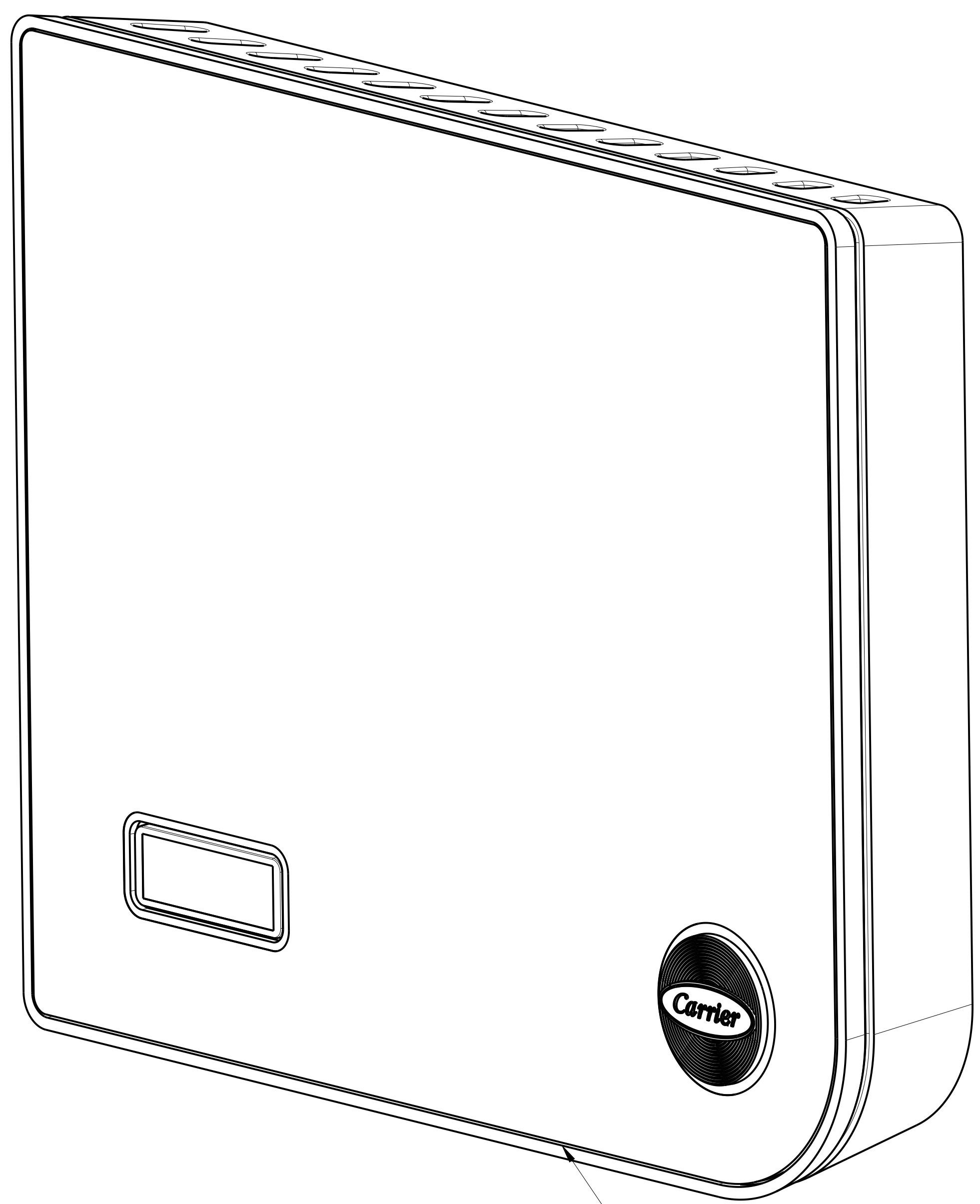
D
C
B
A

THIS DOCUMENT CONTAINS TECHNICAL DATA
SUBJECT TO THE EAR
U.S. EXPORT CONTROL CLASSIFICATION NUMBER
NA

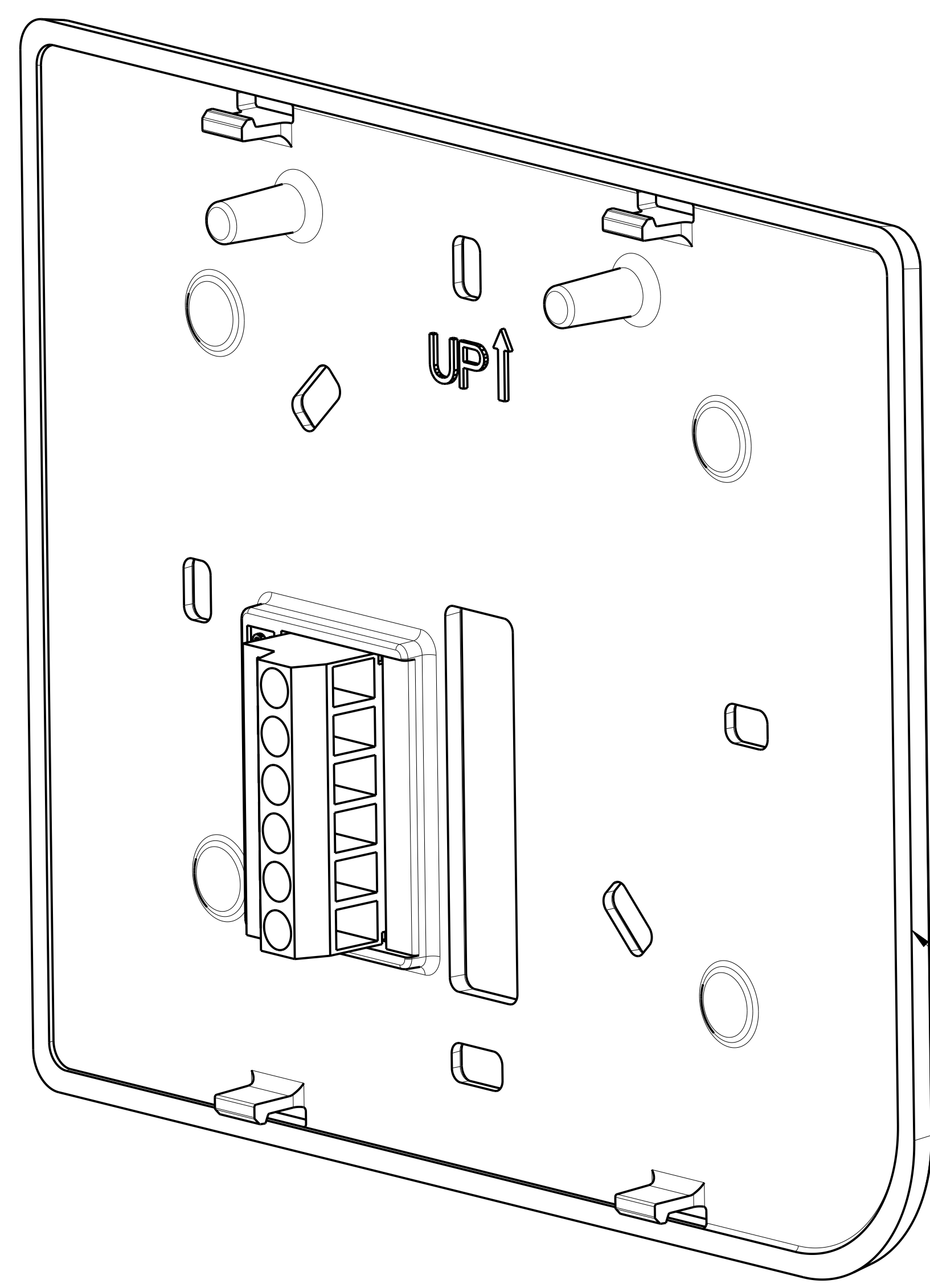
THIS DOCUMENT IS THE PROPERTY OF UNITED TECHNOLOGIES
ELECTRONIC CONTROLS (U.T.E.C.) AND IS DELIVERED ON THE
EXPRESS CONDITION THAT IT IS NOT TO BE DISCLOSED,
REPRODUCED IN WHOLE OR IN PART, OR USED FOR MANUFACTURE FOR
ANYONE OTHER THAN U.T.E.C. WITHOUT ITS WRITTEN CONSENT AND THAT
NO RIGHT IS GRANTED TO DISCLOSE OR SO USE ANY INFORMATION
CONTAINED IN SAID DOCUMENT. THIS RESTRICTION DOES NOT LIMIT
THE RIGHT TO USE INFORMATION OBTAINED FROM ANOTHER SOURCE.

DRAWING NUMBER	REV
SYSTXXXXXX01-B	A

LTR	REVISIONS	PCN NO.	DATE	CHK	ENGR
A	SEE SHEET 1				



TSAT UNIT



WALLPLATE ASSEMBLY WITH THE CONNECTOR AND FCC LABEL INSTALLED

BOTH UNITS SHOWN ARE PUT IN SEPARATELY IN THE CARTON WITH OTHER ITEMS

THIS DOCUMENT CONTAINS TECHNICAL DATA
 SUBJECT TO THE EAR
 U.S. EXPORT CONTROL CLASSIFICATION NUMBER
 NA

THIS DOCUMENT IS THE PROPERTY OF UNITED TECHNOLOGIES
 ELECTRONIC CONTROLS (U.T.E.C.) AND IS DELIVERED ON THE
 EXPRESS CONDITION THAT IT IS NOT TO BE DISCLOSED,
 REPRODUCED IN WHOLE OR IN PART, OR USED FOR MANUFACTURE FOR
 ANYONE OTHER THAN U.T.E.C. WITHOUT ITS WRITTEN CONSENT AND THAT
 NO RIGHT IS GRANTED TO DISCLOSE OR SO USE ANY INFORMATION
 CONTAINED IN SAID DOCUMENT. THIS RESTRICTION DOES NOT LIMIT
 THE RIGHT TO USE INFORMATION OBTAINED FROM ANOTHER SOURCE.

DRAWING NUMBER	REV
SYSTXXXXXX01-B	A