



## Specification for Approval

Customer: Fuda Semiconductor (Hefei) Co., Ltd

---

Customer Part No. TNO8

---

Supplier: Dongguan Jiou Electronic Technology Co., Ltd

---

Spec description:

---

Supplier Part No.: J-FDTNO8-L15

---

Date: 20230728

---

Version: A.0

---

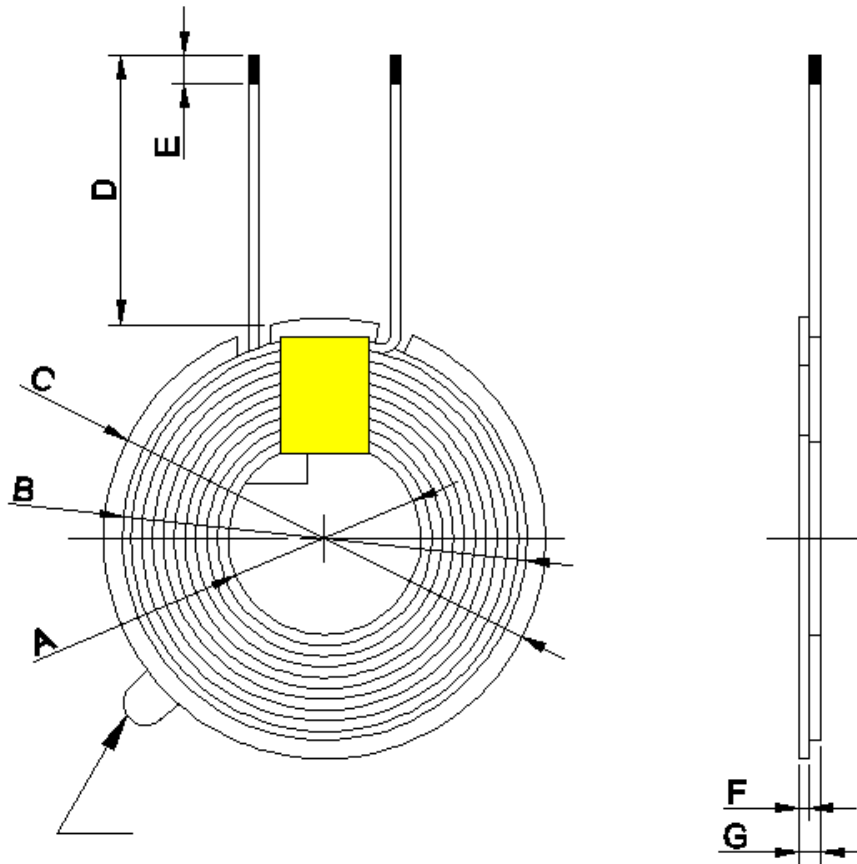
Draw: Yang Maixin

---

Supplier Approve		Customer Approve
EE Confirm by	PE Confirm by	
Roger		
QE Confirm by	Approval by	
Liu Juan	Luo Yinbin	



# 1. Dimension specification



- 1. Specification of magnetic separator  $\Phi 47 * 1.0$  double groove, with ordinary double-sided adhesive tape on the back
- 2. Apply 8MM wide high-temperature tape at the coil lead

Unit:mm

A	B	C	D	E	F	G
20.5±0.5	43±1	47±0.5	15±2	4±1	1.0±0.1	2.8Max

# 2. Schematic diagram



### 3. Electronic character

TEMPERATURE:25±10°C, RELATIVE HUMIDITY :65±20%

TIEM	SPECIFICATION	TEST FREQUENCY	TEST EQUIPMENTS
IND	6.3UH±5%	100 KHZ/1.0V	LCZ METER 1062
DCR	45mΩ Max	\	LCZ METER 1062
Q	85±10	100 KHZ/1.0V	LCZ METER 1062

### 4. Coil specification

Turns	Wire Dia.	Wdg. Type Spred/Close	Wdg.Direction	Intersect Yes/Not	Coil Positive/ Anti Paste
10 TS	0.08*105P (Stranded wire)	(Close)	(Anticlockwise)	(Yes)	(Anti/-Paste)