

4017F/ HydroBeast

**USER MANUAL**

## Warranty Conditions

This product is guaranteed for 2 years against defects in manufacturing or assembly. This guarantee only applies to the primary purchase by the end user. It does not cover issues related to improper handling by the user. Proof of purchase is required in order to render the warranty valid.

The warranty does not cover problems associated with improper use, whether it is a result of negligence, processing, failure to store properly (excessive heat or humidity), improper installation or unauthorized repairs.

The manufacturer is contractually required to repair or replace the defective product. ALTEC LANSING is under no financial obligation to pay any amount in excess of that paid by the end user.

### Reasons for warranty exclusions:

- Expired warranty period
- No proof of purchase
- Visible damage / breakage
- Oxidation
- Improper use
- Use of non-approved accessories
- Product altered, repaired or modified by an unauthorized third party
- Missing or altered serial number
- Warranty voided due to broken or altered packaging
- Damage due to accident, neglect, improper maintenance/care or force major
- Damage due to the installation of third-party software or a virus

## SAFETY PRECAUTIONS

Read these safety instructions before using your device and store them for possible future reference.

- The device is not intended for use by persons (including children) with reduced physical, sensory or mental capacity. Persons who have not read the manual, unless they have received explanations by a person responsible for their safety and supervision should not use this unit.

- Children should be monitored to ensure that they do not play with the device.
- The device should always be readily accessible.
- The device should not be exposed to dripping or splashing water.
- No objects filled with liquids such as vases shall be placed on the device.
- Always leave a minimum distance of 10 cm around the unit to ensure sufficient ventilation.
- Open flame sources, such as candles, should not be placed on top of the device.
- The device is intended for use only in a temperate climate.
- At full volume, prolonged listening to the portable audio device may damage the user's hearing and cause hearing troubles (temporary or permanent deafness, hearing drone, tinnitus, hyperacusis).
- So we recommend not to listen to the portable audio device at high audio volume and no more than one hour per day at medium audio volume.
- **CAUTION:** Danger of explosion if battery is incorrectly replaced or not replaced by the same type or equivalent.
- The battery should not be exposed to excessive heat such as sunshine, fire or similar.
- Different types of batteries, new and used batteries should not be mixed.
- The battery must be installed according to the polarity.
- If the battery is worn, it must be removed from the product.
- The battery must be disposed of safely. Always use the collection bins provided (check with your dealer) to protect the environment.
- The battery can't be replaced by the user, but only by the maker of this product, the after sales department or a qualified person.

### **SWITCH OFF IN RESTRICTED AREAS**

Switch the device off where the use of the device is not allowed or where there is a risk of causing interference or danger, for example on board an air-craft, near medical equipment, fuel, chemicals or blasting sites.

### **ROAD SAFETY COMES FIRST**

Check the current laws and regulations regarding the use of this device in the areas where you drive.

- Do not handle the device when driving.
- Concentrate fully on the driving
- Radio signals could affect some of the car's electronic systems such as the audio stereo and alarm systems.

### **INTERFERENCE**

All wireless devices are susceptible to interference which may affect their performance.

All our device conform to international standards and regulations, and if need be national ones, with a view to limiting user exposure to electromagnetic fields. These standards and regulations were adopted after the completion of extensive scientific research. This research established no link between the use of the mobile headset and any adverse effects on health if the device is used in accordance with standard practices.

#### **AUTHORISED PERSONNEL**

Only qualified people are authorized to install or repair this product.

#### **ACCESSORIES**

Only use batteries, chargers and other accessories which are compatible with this equipment. Do not connect incompatible products.

#### **KEEP THE EQUIPMENT DRY**

This equipment is not water proof. Keep it dry.

#### **CHILDREN**

Keep your device in a safe place, out of the reach of young children.

The device contains small parts that may present a choking hazard.

#### **Declaration of conformity EU:**

Market Maker Brand Licensing, hereby declares that this equipment, conforms to the essential requirements and other relevant provisions of Directive 2014/53/UE. The declaration of Conformity can be viewed at the following address:

[http://www.mms-support.net/OTA/ECD\\_MMBL\\_AL-BT4017S-001.pdf](http://www.mms-support.net/OTA/ECD_MMBL_AL-BT4017S-001.pdf)

#### **Specifications:**

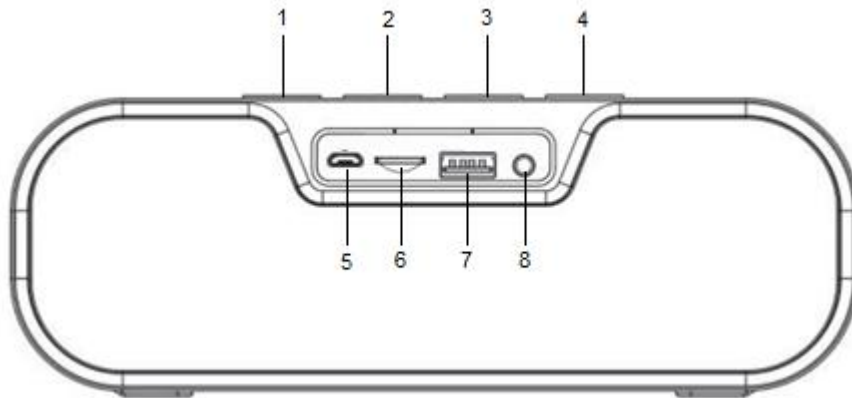
- Rated Voltage : DC5V  $\approx$  1A
- Max power consumption : 10W
- Power sound of speaker : 2x 10W RMS
- Radio frequency : 2.402~2.48Ghz
- Impedance : 4 Ohms
- Frequency Response : 120Hz ~ 18KHz

- Bluetooth version compatible : 4.2
- Distance bluetooth stays connected : 10 meters
- Music Playing time : 4,5 hours at a full volume
- Charging time : 4,5 hours
- Slot for memory card : up to 32GB
- Audio format supported : SDC,MP3 format
- Input / Output : AUX-IN, USB OUT, micro memory card
- Others functions of the speaker : Microphone, Powerbank, AUX IN
- IP level : IPX5
- Battery type and capacity : Li-Ion 2200mAh
- Weight of speaker : 761g

### Accessories included:

- 1 x Micro-USB cable
- 1 x AUX cable
- 1 x User Manual

## Control and Interface



- |                             |                           |
|-----------------------------|---------------------------|
| 1- On/Off                   | 5- Power                  |
| 2- Volume - / Previous      | 6- Micro memory card slot |
| 3- Accepting a call / Pause | 7- Power bank USB         |
| 4- Volume + / Next          | 8- AUX connector          |

## Charging

Connect the supplied micro USB cable into the input “5”. Speaker can be charged either by connecting to a computer’s USB port or a standalone 5V/1A charger. During charging the LED will glow red, when it is fully charged the LED will go off.

**NOTICE:** To maintain maximum resistance against splashing water, make sure that the silicone sealing cap is firmly pushed into the body of the speaker.

## On/Off

- To turn the speaker on and off, press and hold the “1” button.

## Pairing (connection with the device)

- Make sure the battery is fully charged and press “1”. The LED will flash blue.
- Activate the “Bluetooth” function on your phone and make sure that your phone is visible to the nearby Bluetooth devices.
- Select “Search” and then choose “HydroBeast” from the available list. If a PIN code is required, enter the code “0000”.
- Successful pairing is notified by an audible signal and the LED glows blue steadily.

## Switching between modes: Bluetooth/Music playback from a micro memory card / AUX output

- Press the “1” button to switch between individual modes.

## Hands Free, “3” button

- Press to: Accepting an incoming call
- Press and hold to: Rejecting an incoming call
- Double press to: Redial the last called phone number

## Music Playback

- Press to: Play / Pause

## AUX output

You can also listen to music when the 3.5” audio cable (included) is connected. In this mode, you cannot control the tracks with the speaker buttons.

## Buttons I< / >I "2" a "4"

- Press to: Next / Previous
- Press and hold to: Increase / decrease the volume

## Power Bank - charging external devices

- Press 2 seconds the “3” button twice (speaker may not be on) when you 1st use.
- Connect for example a mobile phone into the slot “7” with a micro USB cable.
- It will automatically start to charge the phone.



The European directive 2012/19/EU on Waste Electrical and Electronic Equipment (WEEE), requires that old household electrical appliances must not be disposed of in the normal unsorted municipal waste stream. Old appliances must be collected separately in order to optimize the recovery and recycling of the materials they contain, and reduce the impact on human health and the environment. The crossed out “wheeled bin” symbol on the product reminds you of your obligation, that when you dispose of the appliance, it must be separately collected.

## FCC ID: 2AIRJ-HYDROBEAST

NOTE: This equipment has been tested and found to comply with the limits for a Class B digital device, pursuant to part 15 of the FCC Rules. These limits are designed to provide reasonable protection against harmful interference in a residential installation. This equipment generates uses and can radiate radio frequency energy and, if not installed and used in accordance with the instructions, may cause harmful interference to radio communications.

However, there is no guarantee that interference will not occur in a particular installation. If this equipment does cause harmful interference to radio or television reception, which can be determined by turning the equipment off and on, the user is encouraged to try to correct the interference by one or more of the following measures:

Reorient or relocate the receiving antenna.

Increase the separation between the equipment and receiver.

-Connect the equipment into an outlet on a circuit different from that to which the receiver is connected.

-Consult the dealer or an experienced radio/TV technician for help

Changes or modifications not expressly approved by the party responsible for compliance could void the user's authority to operate the equipment.

This device complies with Part 15 of the FCC Rules. Operation is subject to the following two conditions:

(1) this device may not cause harmful interference, and (2) this device must accept any interference received, including interference that may cause undesired operation.



To avoid possible hearing damage, do not listen at high audio volume for long periods of time