

The following features are available in this PDF document.



Quick Keyword Search

Enter the keyword in the search box and hit the search button



Quick Jump between Chapters

Click the title of a specific chapter on the Contents to jump to it

*Reading software such as Adobe Reader is needed to support the functions above.



ZHIYUN x Cam Mackey MOLUS X100RGB
COB Light

User Guide

Contents

□ Brief Introduction	
Brief Introduction	1
□ Product List	
Product List	3
□ Get to Know ZHIYUN MOLUS X100RGB COB Light (hereinafter referred to as "X100RGB")	
Get to Know ZHIYUN MOLUS X100RGB COB Light	5
□ Power Supply	
Power Supply	7
□ Installing and Removing Fresnel Lens (hereinafter referred to as " Lens")	
Installing the Lens	9
Removing the Lens	9
□ Installing and Removing 4-Leaf Barndoor (hereinafter referred to as " Barndoor")	
□ Installing and Removing Softbox	
Installing Softbox	11
Removing the Softbox	12
□ Bowens Mount Adapter(ZY Mount)-B Instructions (hereinafter referred to as "adapter")	
Installing the Adapter	13
Removing the Adapter	15
Installing and Removing The Umbrella	16








□ Installing the Tripod	
Installing the Tripod	17
□ Installing the Light Stand	
Installing the Light Stand	18
□ How to Use ZHIYUN MOLUS X100RGB COB Light	
Buttons and Knobs	19
Operation Instruction	20
Power-on Settings	23
□ Firmware Upgrade	
□ Product Specifications	
□ Disclaimer and Warnings	
Reading Tips	29
Safe Operation Instructions	29
□ Warranty Card	
Warranty Period	30
Warranty Exclusions	30
Warranty Claim Procedure	30
□ Contact Card	

Brief Introduction

The ZHIYUN MOLUS X100RGB COB Video Light is a high-power, portable full-color fill light with high brightness. It supports RGB color adjustment, features a compact and powerful design, and offers multiple power supply options. Compatible with various light modifiers, it meets the lighting needs for both indoor and outdoor shooting. MOLUS X100RGB offers the following features:

1. Lightweight, portable and easy to use.
2. Features adjustable brightness/color temperature/hue/saturation, suitable for a wide range of applications.
3. Features high color rendering performance for accurately restoring the original color of objects.
4. Features DynaVort Cooling System TM for excellent heat dissipation.
5. Supports music mode, easily creating a musical atmosphere for scenes.
6. Features rich RGB light effects for creative shooting.
7. Supports Bluetooth mesh networking and APP remote dimming for more efficient light control.
8. Supports multiple power supply methods, eliminating runtime concerns.

WARNING

-  This product is not waterproof. Prevent contact with any kind of liquid with the X100RGB. Never use the product in the rain or a humid environment.
-  If water accidentally enters the device when using, please stop using it immediately and contact the company or authorized maintenance personnel for maintenance, and continue to use it only when the maintenance is finished.
-  Do not expose this product to corrosive chemicals, inflammable and explosive materials.
-  Do not touch the heating part when the product is working to avoid getting burned.
-  Do not wrap or block the fans to avoid cooling effect damage.
-  Do not turn the product directly to the eyes to avoid eyesight damage.
-  Do not expose this product to an environment above 40° C .

⚠ Battery safety precautions:

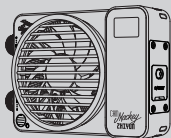
- ① It is strictly prohibited to use batteries that are not provided by ZHIYUN. If you need to replace the battery, please contact ZHIYUN or designated agents. ZHIYUN will not be responsible for any battery accidents or equipment malfunctions caused by using batteries that are not officially provided by ZHIYUN.
- ② If the battery bulges, leaks, or has other abnormalities, please stop using it immediately and contact ZHIYUN customer service or designated agents for further processing.
- ③ Do not completely discharge the battery and store it for a long time to prevent the battery from entering an over-discharged state and causing damage to the battery cell, which may make it impossible to recover and reuse.

BE CAREFUL

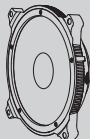
1. This product is a high-precision control device. Damage may be caused to the product if dropped or subject to external force, and this may result in malfunction.
2. Please keep your hands dry while using the product and use soft dry cloth for cleaning.
3. Keep this product out of the reach of children.
4. When not using this product, please disconnect the external power supply.
5. Do not place any other items on top of this product to avoid damage to this product.
6. Protect the product from dust and sand during use.
7. Before storing this product, please make sure it is completely cooled and store it in a dry and ventilated place.
8. Do not disassemble this product on your own. In the event of malfunctions, it should be repaired by ZHIYUN or authorized maintenance personnel.

Product List

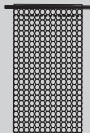
Before using this product, please check carefully that all the following items are included in the product package. If any item is found missing, please contact ZHIYUN or your local authorized dealer.



ZHIYUN MOLUS X100RGB x1

ZHIYUN Mini Lens Reflector (ZY Mount)
x1

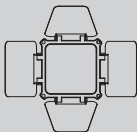
DC Power Adapter x1



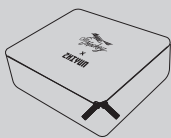
Power Adapter Pouch x1



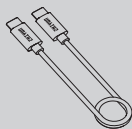
Grip Battery x1*

Bowens Mount Adapter
(ZY Mount)-B x1*ZHIYUN Mini 4-Leaf Barn Doors
(ZY Mount) x1*

Softbox (ZY Mount) x1*



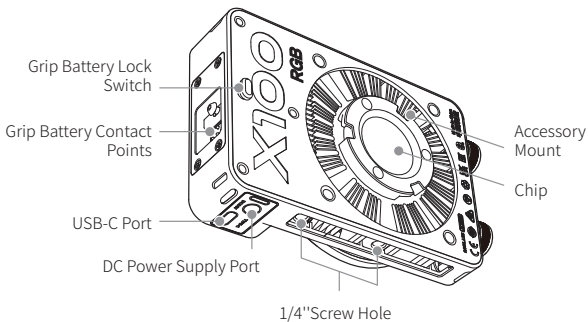
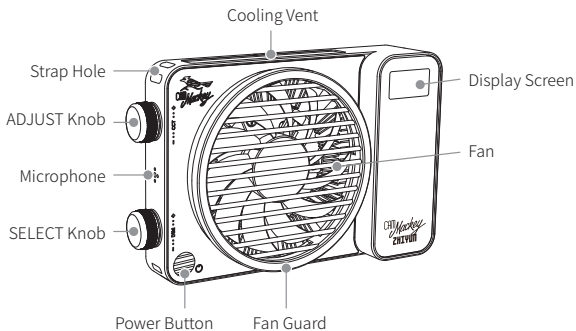
Storage Bag x1*



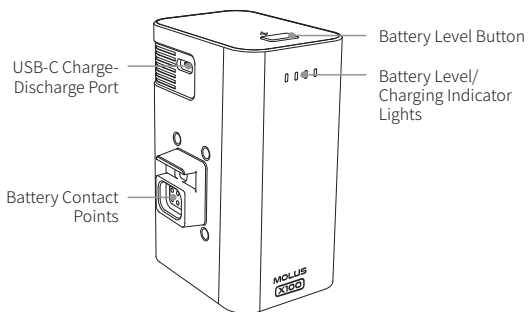
USB Type C Cable x1

Items marked “*” are only included in ZHIYUN MOLUS X100RGB PRO COB light.

Get to Know ZHIYUN MOLUS X100RGB COB Light



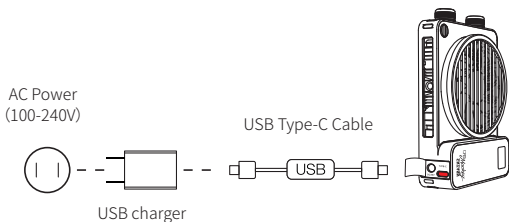
Get to Know ZHIYUN MOLUS X100RGB COB Light
(hereinafter referred to as "X100RGB")



Power Supply

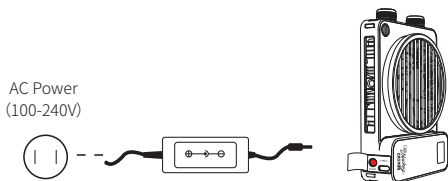
Battery is not included inside the device. For the X100RGB to work properly, please power the device using one of the following methods:

- Powered by USB charger:** Use the USB Type-C charging cable to connect the USB charger and the USB-C port of X100RGB. Plug the charger into the AC socket to power X100RGB. It is recommended to use a charger equal to or larger than 100W and supports PD fast charging protocol. The supply power will be displayed on the screen in real time. When the input supply power is insufficient, it is unable to adjust the brightness of X100RGB to 100%.



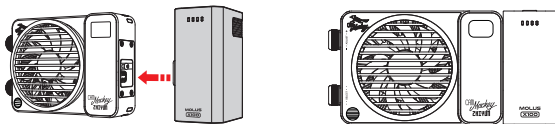
💡 USB charger is not provided.

- Powered by DC power adapter:** Connect the DC power adapter to the DC power supply port and an AC socket to power X100RGB.



💡 You can use power adapter pouch to organize the DC power adapter and hang at the proper location to avoid being stepped on.

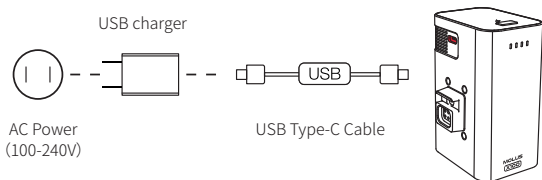
- ③ **Powered by grip battery:** Remove the silicone case at the grip battery contact points, and install the grip battery to the X100RGB as shown in the image to power X100RGB.



- 💡 To remove the grip battery, press and hold the grip battery lock switch and remove the grip battery from X100RGB.



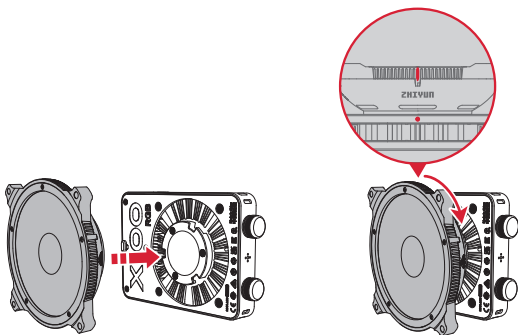
Grip battery charging method : Use the USB Type-C charging cable to connect the USB charger and the USB-C charge-discharge port of the grip battery. Plug the charger into the AC socket to charge the grip battery. It is recommended to use a charger that supports PD fast charging protocol. The grip battery supports a maximum charging power of 30W.



- 💡 Four solid battery level/charging indicator lights indicate the battery is fully charged.

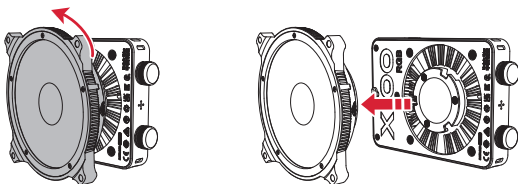
Installing the Lens

Align the lens mount with the X100RGB accessory mount. Install the lens to the X100RGB and rotate the lens as shown in the image until you hear a click sound. The lens is then installed.



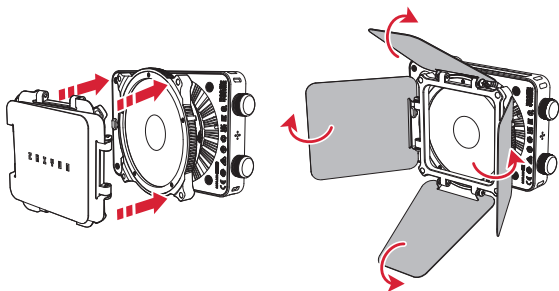
Removing the Lens

Turn the lens in the direction shown in the image, then remove the lens from the accessory mount.



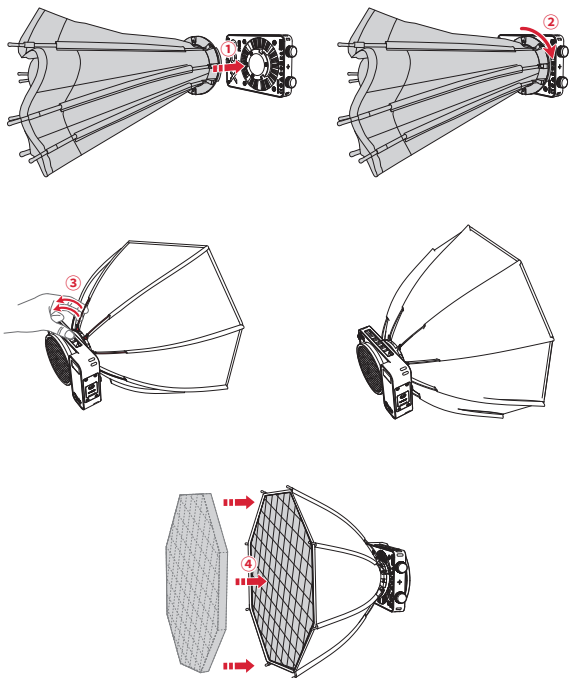
Installing and Removing 4-Leaf Barndoor (hereinafter referred to as "Barndoor")

Align the four corners of the barndoor with the four corners of the lens, then magnetically attach the barndoor to the lens. Finally, adjust the barndoor to the desired angle as needed. To remove, simply detach the barndoor from the lens



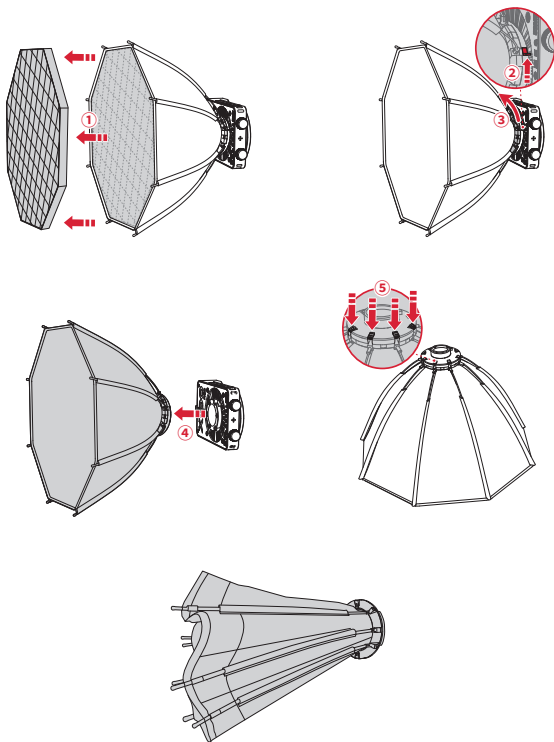
Installing Softbox

Align the softbox mount with the accessory mount of the X100RGB, then rotate it in the direction shown in the image until you hear a 'click' sound, indicating that the latch is automatically locked ② . Lift the softbox support rods as shown in the image until the softbox is fully expanded and secured ③ . Finally, unfold the grid and secure it to the Velcro along the edges of the softbox ④ .



Removing the Softbox

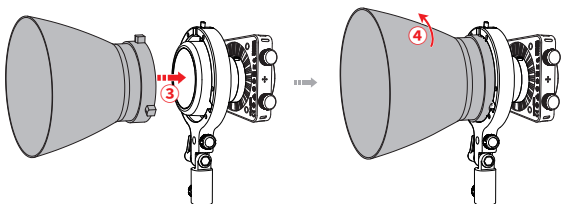
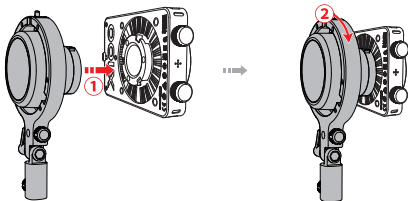
Remove the grid from the softbox ① . Push the softbox release latch in the direction shown in the image to unlock it ② and rotate the softbox in the indicated direction ③ . Then, remove the softbox from the X100RGB accessory mount ④ . Press down the release switch on the softbox support rods ⑤ . Once all rods are unlocked, the softbox can be folded for storage.

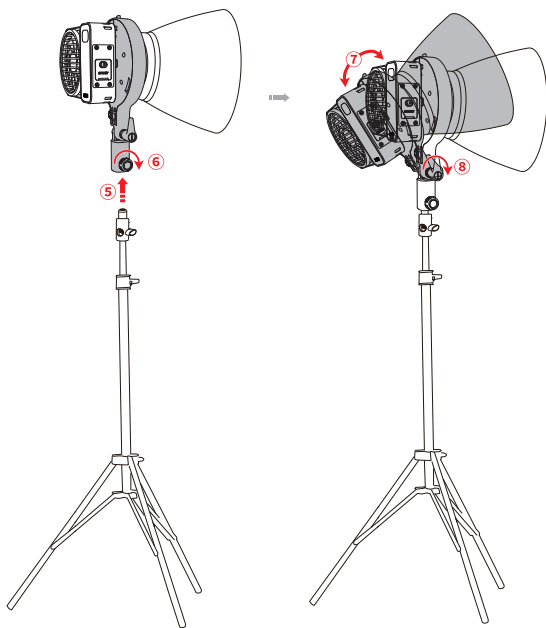


Through the adapter, the X100RGB is compatible with standard Bowens mount modifiers. This example illustrates how to install the Bowens mount standard reflector.

Installing the Adapter

Align the adapter mount with the X100RGB accessory mount, install the adapter to the X100RGB ① and rotate the adapter clockwise until you hear a click sound ② . Align the standard reflector mount with the adapter mount and install the standard reflector to the adapter ③ . Rotate the standard reflector counterclockwise until the reflector is engaged in the adapter and cannot be rotated ④ . Align the end of the adapter with the 1/4" screw on top of the light stand ⑤ , install the adapter to the light stand and tighten the adapter screw ⑥ . You can adjust the adapter angle if necessary ⑦ and tighten the adapter latch ⑧ .

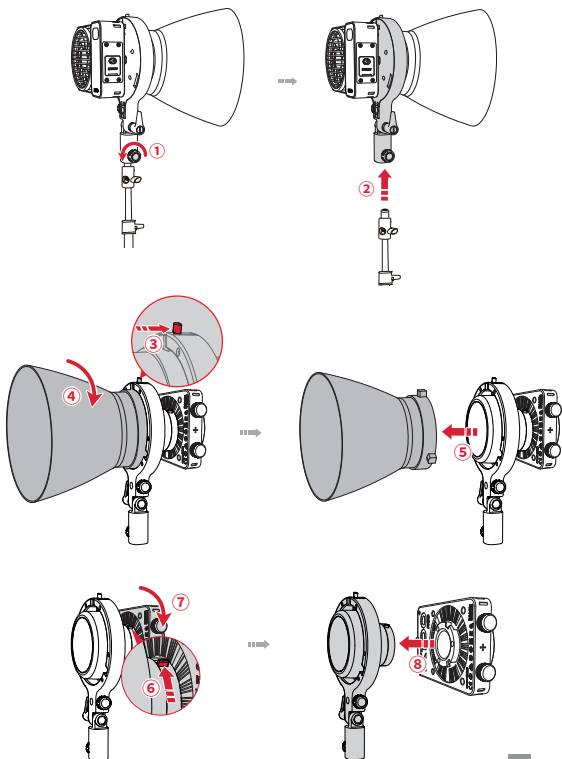




- ① Light stand is not provided.
- ② When attaching the adapter to a softbox with a Bowens mount, the diameter of the softbox should be equal to or less than 90cm and the weight should be equal to or less than 1.6kg.

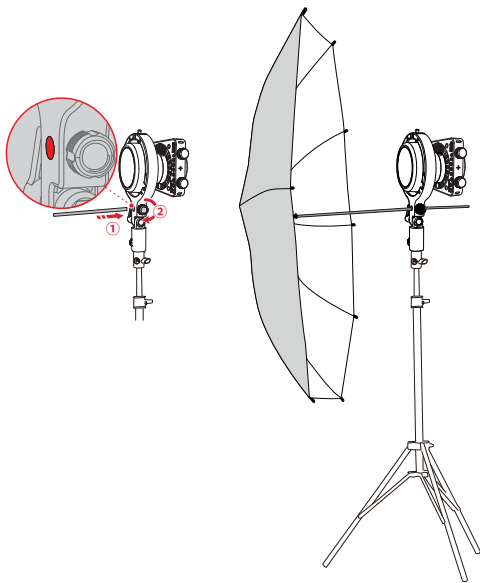
Removing the Adapter

Loosen the adapter screw ① , then remove the adapter from the light stand ② . Press and hold the orange lock at the top of the adapter to the right ③ , then rotate the standard reflector in the direction shown in the image ④ . Remove the standard reflector from the adapter ⑤ . Press and hold the adapter lock and slide it to the unlock position as shown in the image ⑥ , then rotate the X100RGB clockwise ⑦ . Remove the X100RGB from the adapter ⑧ .



Installing and Removing The Umbrella

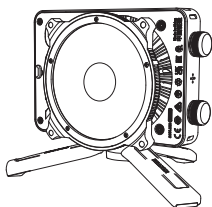
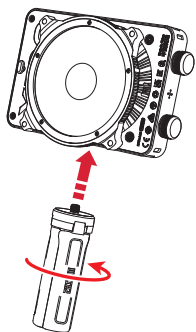
Insert the umbrella handle into the umbrella hole of the adapter and turn the knob clockwise. Turn counterclockwise to unlock and pull out the umbrella handle.




💡 Umbrella is not provided.

Installing the Tripod

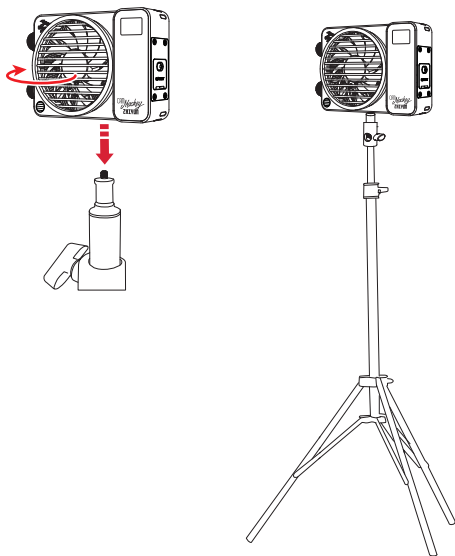
Align the 1/4" screw of the tripod with the 1/4" threaded hole at the bottom of the X100RGB. Drive the screw firmly to finish the installation.



 Tripod is not provided.

Installing the Light Stand

Align the 1/4" screw hole at the bottom of the X100RGB with the 1/4" screw on the light stand, then tighten it in the direction shown in the image

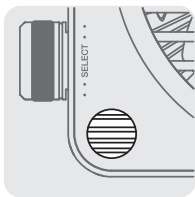


💡 Light stand is not provided.

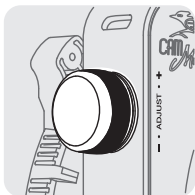
💡 DO NOT stare at the chips when the device is operating.

💡 The IP rating of the outer case is IP20.

Buttons and Knobs



Long press the power button+turn the SELECT knob: Power on (powered by grip battery)
Long press the power button:
Power on (powered by USB/DC)/power off
Triple-click the power button: Reset Bluetooth.

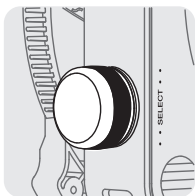


ADJUST Knob:

Single press: Quickly adjust the current parameter.

Confirm (submenu).

Turn: Adjust the current parameter.



SELECT Knob:

Single press: Switch to the fill light mode.

Save settings and exit

(In the power-on settings interface).

Double press: Switch to the previous mode.

Turn: Switch options (submenu).

Long press: Enter/exit power-on settings interface.

Operation Instruction

1. CCT Mode Settings

Single press the SELECT knob to switch to CCT mode. Turn the SELECT knob to switch dimming/color temperature/Green-Magenta options. Single press/turn the ADJUST knob to adjust the value.

Dimming range: 0-100%;

Color temperature adjustment range: 2500K-10000K;

G/M adjustment range: -10-10;

CCT	PD100W
DIM:	100%
CCT:	5500k
G/M:	-2

2. HSI Mode Settings

Single press SELECT knob to switch to HSI mode. Turn the SELECT knob to switch to dimming/hue/saturation options. Single press or turn the ADJUST knob to adjust the value.

Dimming range: 0-100%;

Hue adjustment range: 0° -360°;

Saturation adjustment range: 0-100%;

HSI	PD100W
DIM:	100%
HUE:	120°
SAT:	100%

3. RGB Mode Settings

Single press SELECT knob to switch to RGB mode. Turn the SELECT knob to switch to RGB options. Single press or turn the ADJUST knob to adjust the value.

Red light adjustment range: 0-100%;

Green light adjustment range: 0-100%;

Blue light adjustment range: 0-100%;

Dimming range: 0-100%;

RGB	PD100W
R:	100%
G:	30%
B:	50% ▼

4. FX Mode Settings

Single press SELECT knob to switch to FX mode. Turn the SELECT knob to switch to FX/dimming/speed/color temperature options. Single press or turn the ADJUST knob to adjust the value.

FX types: SOS, Paparazzi, Candle, Bad Bulb, TV, Lightning, Strobe, Explosion, Welding, CCT Loop, CCT Flash, CCT Pulse, Police Car, Party, Fireworks, HUE Loop, HUE Flash, HUE Pulse.

Dimming range: 0-100%;

Speed adjustment range: 1-5;

Color temperature adjustment range: 2500K-10000K;

FX	PD100W
FX:	SOS
DIM:	100%
SPD:	5 ▼

- ① The adjustable parameters vary under different light effects and the operation steps are similar. The “SOS” effect is used as an example to demonstrate the operation steps above.
- ② The parameter values in a single light effect are only effective for that light effect.

5. MUSIC Mode Settings

Single press SELECT knob to switch to Music mode. Turn the SELECT knob to switch to dimming/mode/color number/color options. Single press or turn the ADJUST knob to adjust the value.

Dimming range: 0-100%;

Mode: RGB;

Color number adjustment range: 1-7;

Color adjustment range: 0° -360°;

MUSIC	PD100W
DIM:	100%
MODE:	RGB
NUM:	5 ▼

- ① The adjustable parameters vary between cool/warm light and RGB modes, and the operation steps are similar. The RGB mode is used as an example to demonstrate the operation steps
- ② The parameter values in a single mode are only effective for that mode.

6. MENU Settings

Single press SELECT knob to switch to Menu. Turn the SELECT knob to switch to language/Bluetooth reset, Turn the ADJUST knob to adjust the chosen option. Finally, press the ADJUST knob once to confirm.

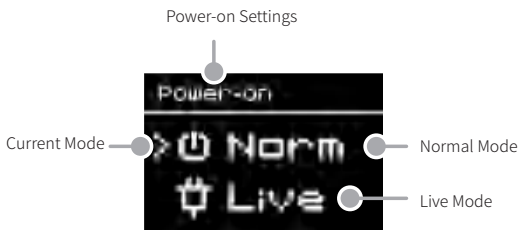
MENU	PD100W
Language:	English
BT Rst:	No
Version:	V1.53

- ① Under the "MENU" option, you can also check the firmware version information for the X100RGB.

Power-on Settings

Normal mode: Pressing and holding the power button is required to turn on the powered X100RGB.

Live mode: The powered X100RGB can be turned on without pressing any buttons. You can customize the power-on behavior of the X100RGB in the power-on settings. In color temperature mode, long press the SELECT knob to enter the power-on settings interface. The default mode is Normal mode. Turn the SELECT knob to select the mode, then press the SELECT knob once to save and exit.



1. When the X100RGB is powered by a USB adapter or battery, the Live mode will be disabled:

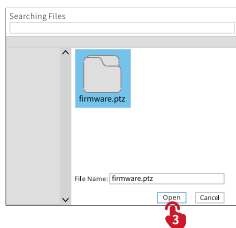
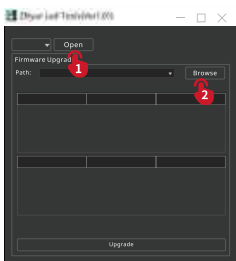
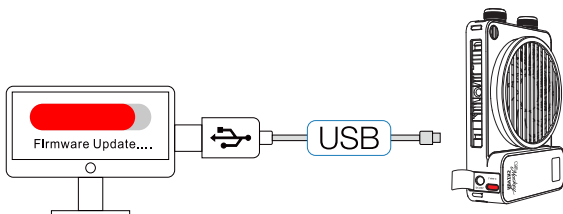
- ① Powered by grip battery: Press and hold the power button, then turn the SELECT knob to turn on the X100RGB.
- ② Powered by USB adapter: Press and hold the power button to turn on the X100RGB.

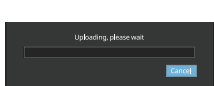
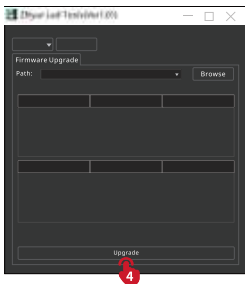
2. When the X100RGB is powered by a DC power adapter:

- ① Disable Live mode: Press and hold the power button to turn on the X100RGB.
 - ② Enable Live mode: Disconnect the X100RGB from the power supply, then reconnect it. The light will turn on automatically without pressing any buttons.
- 💡 When powered by a DC power adapter with Live mode enabled, after turning off the X100RGB by pressing and holding the power button, disconnect and reconnect the power. Then, press and hold the power button again to turn the X100RGB on.

You can use "Zhiyun Led Tools" to perform the X100RGB firmware upgrade.

1. Visit the official website of ZHIYUN (www.zhiyun-tech.com), go to the X100RGB product page, click "Download", find the Zhiyun Led Tools and the firmware and download.
2. Unzip the firmware for the files with the ".ptz" file extension.
3. Connect the USB-C port of X100RGB to the USB port of the computer with the USB Type-C cable.
4. Open "Zhiyun Led Tools", click "Open". Click "Browse" under "Path" to select the latest firmware downloaded (with the ".ptz" file extension), and click "Upgrade" at the bottom to upgrade firmware. X100RGB will automatically turn off when the upgrade is finished.





Method 2: The firmware of the ZHIYUN MOLUS X100RGB can be upgraded using the "ZY Vega" app. For more detailed instructions, please visit the ZHIYUN official website at www.zhiyun-tech.com and watch the related video tutorials for the ZHIYUN MOLUS X100RGB.

- ① When using Method 1 for the upgrade, please wait until the screen displays that the upgrade is finished, then you can plug out the USB Type-C cable.
- ② Before upgrading the firmware, please ensure that the ZHIYUN MOLUS X100RGB has more than 50% power remaining. You can not exit the app interface or access in the background during the upgrading process. Pay attention to the prompts on the app.

Product Model: PLX110

Max Output Power	
Dimming Range	
Color Temperature Range	
CRI/TLCI)	
CQS	
SSI(D32)	
SSI(D56)	
TM-30 Rg	
TM-30 Rf	
Illuminance (Max power, without a modifier)	Lab Data1
Illuminance (Max power, with lens)	Lab Data2
R Illuminance	
G Illuminance	Lab Data3
B Illuminance	
Grip Battery Capacity	
Grip Battery Runtime (Max power)	Lab Data4

Grip Battery Charging Time	Lab Data5
Grip Battery USB-C Port Max Input/Output Power	
DC Power Adapter Rated Output Voltage/Current	
DC Power Supply Voltage	
USB Power Supply Power/ Voltage	
Operation Temperature	
Product Dimensions (without lens and grip battery)	
Product Dimensions (with grip battery)	
Grip Battery Dimensions	
Product Net Weight (without lens and grip battery)	
Grip battery Net Weight	

Lab Data 1: The data is collected in the following conditions: No reflectors, 25°C temperature, indoor illuminance lower than 0.1lux, test distance 1m, and the color temperature is set at 4300K with 100% brightness. The illuminance is 3881lux. The actual illuminance varies under different conditions.

Lab Data 2: The data is collected in the following conditions: Installed reflector, 25°C temperature, indoor illuminance lower than 0.1lux, test distance 1m, and the color temperature is set at 4300K with 100% brightness. The illuminance is 17317lux. The actual illuminance varies under different conditions.

Lab Data 3: With 25°C temperature, indoor illuminance lower than 0.1lux, and 1m test distance, set the X100RGB at 100% saturation and 100% brightness, and the red/green/blue illuminance is 634lux/688lux/194lux. The actual red/ green/blue illuminance varies under different conditions.

Lab Data 4: The data is collected in the following conditions 25°C temperature, X100RGB is fully-charged, and the color temperature is set at 4000K with 100% brightness. The battery runtime is 30 min. The actual grip battery runtime varies under different conditions: the longer the operating time, the higher the charge and discharge frequency, and the less the battery activity, leading to a shorter battery runtime.

Lab Data 5: The data is collected at a specified temperature of 25°C with 28W PD Fast Charging. The charging time of the light is 2h 33min. The actual charging time varies under different conditions: the lower the charging temperature, the lower the charging current, leading to a longer charging time.

The above data is based on internal tests conducted by ZHIYUN laboratories. The data may vary slightly under different conditions. Please refer to actual usage.

Thank you for purchasing this product. The information contains herein affects your safety, legitimate rights and obligation. Please read this instruction carefully to ensure proper configuration before use. Failure to read and follow this instruction and warnings herein may result in serious injury to you or bystanders, or damage to your device or property. Guilin Zhishen Information Technology Co., Ltd (hereinafter referred to as "ZHIYUN") reserves all rights for final explanation of this instruction and other documents related to this product. The information is subject to update without notice. Please visit www.zhiyun-tech.com to obtain the latest product information.

By using this product, you hereby signify that you have read this document carefully and that you understand and agree to abide by the terms and conditions herein. You agree that you are solely responsible for your own conduct while using this product, and for any consequences thereof. You agree to use this product only for purposes that are proper and in accordance with all terms, precautions, practices, policies and guidelines ZHIYUN has made and may make available.

ZHIYUN accepts no liability for damage, injury or any legal responsibility incurred directly or indirectly from the use of this product. Users shall observe safe and lawful practices including, but not limited to, those set forth herein.

ZHIYUN™ is the trademark of Guilin Zhishen Information Technology Co., Ltd and its affiliates. All product names or trademarks referred to herein are trademarks or registered trademarks of their respective holders.

Reading Tips

Legends:  Hints and Tips  Important

Safe Operation Instructions

Read the ENTIRE User Guide to become familiar with the features of this product before operating. Failure to operate the product correctly can result in damage to the product or personal property and cause serious injury. This is a sophisticated product. It must be operated with caution and common sense and requires some basic mechanical ability. Failure to operate this product in a safe and responsible manner could result in injury or damage to the product or other property. This product is not intended for use by children without direct adult supervision. DO NOT use with incompatible components or in any way otherwise as mentioned or instructed in the product documents provided by ZHIYUN. The safety guidelines herein contain instructions for safety, operation and maintenance. It is essential to read and follow all of the instructions and warnings in the User Guide, prior to assembly, setup or use, in order to operate the product correctly and avoid damage or serious injury.

Warranty Period

1. Customers are entitled to replacement or free repair service in case of quality deficits found in the product within 15 days upon receipt of the product.
2. Customers are entitled to free repair service from ZHIYUN for any product proven defective in material or workmanship that results in product failure during normal consumer usage and conditions within the valid warranty period, which is 12 months counting from the date of selling. However, warranty period varies by product component and country of purchase. Please contact our after-sales service team on ZHIYUN official website or your place of purchase for detailed warranty information.

Warranty Exclusions

1. Products subjected to unauthorized repair, misuse, collision, neglect, mishandling, soaking, accident, and unauthorized alteration.
2. Products subjected to improper use or whose labels or security tags have been torn off or altered.
3. Products whose warranty has expired.
4. Products damaged due to force majeure, such as fire, flood, lightning, etc.

Warranty Claim Procedure

1. If failure or any problem occurs to your product after purchase, please contact a local agent for assistance, or you can always contact ZHIYUN's customer service through email at info@zhiyun-tech.com or website at www.zhiyun-tech.com.
2. Your local agent or ZHIYUN's customer service will guide you through the whole service procedure regarding any product issue or problem you have encountered. ZHIYUN reserves the right to reexamine damaged or returned products.

Customer Information

Customer Name:

Phone Number:

Address:

Sales Information

Sales date:

Product Serial Number:

Distributor Name:

Distributor's Contact Number:

First Maintenance Record

Service Date:

Repairman Signature:

Cause of Problem:

Service Result:

Solved

Unsolved

Refunded/Replaced



Website



Weibo



Vimeo



Google+



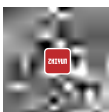
Facebook
(Zhiyun Support)



Facebook
(Zhiyun Tech)



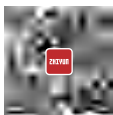
Youku



Youtube



Wechat



Instagram

Tel: +86 400 900 6868

USA Hotline: +1 808-319-6137,9:00-18:00 GMT-7,Mon-Fri

Europe Hotline: +49 (0) 61018132180,10:00-17:00 GMT+1,Mon-Fri

Web: www.zhiyun-tech.com

E-mail: info@zhiyun-tech.com

Address: 09 Huangtong Road, Tieshan Industrial Zone, Qixing District, Guilin, 541004, Guangxi, China

Certificate of Quality

This product is confirmed to meet quality standards and permitted for sale after strict inspection.

QC Inspector: _____



For full product information, please visit ZHIYUN's official website: Content on www.zhiyun-tech.com is subject to update without notice.

ZHIYUN™ is a trademark of ZHISHEN

All product names or brands referred to hereunder may be trademarks or registered trademarks of their respective holders.

Copyright © 2025 ZHISHEN. All rights reserved.

FCC Statement

This equipment has been tested and found to comply with the limits for a Class B digital device, pursuant to part 15 of the FCC Rules. These limits are designed to provide reasonable protection against harmful interference in a residential installation. This equipment generates, uses and can radiate radio frequency energy and, if not installed and used in accordance with the instructions, may cause harmful interference to radio communications. However, there is no guarantee that interference will not occur in a particular installation. If this equipment does cause harmful interference to radio or television reception, which can be determined by turning the equipment off and on, the user is encouraged to try to correct the interference by one or more of the following measures:

- Reorient or relocate the receiving antenna.
- Increase the separation between the equipment and receiver.
- Connect the equipment into an outlet on a circuit different from that to which the receiver is connected.
- Consult the dealer or an experienced radio/TV technician for help.

Caution: Any changes or modifications to this device not explicitly approved by manufacturer could void your authority to operate this equipment.

This device complies with part 15 of the FCC Rules.

Operation is subject to the following two conditions: (1) This device may not cause harmful interference, and (2) this device must accept any interference received, including interference that may cause undesired operation.

RF Exposure Information

This equipment complies with FCC radiation exposure limits set forth for an uncontrolled environment.

This equipment should be installed and operated with minimum distance 20cm between the radiator & your body

IC Statement

- English:

This device complies with Industry Canada licence-exempt RSS standard(s).

Operation is subject to the following two conditions:

- (1) this device may not cause interference, and
- (2) this device must accept any interference, including interference that may cause undesired operation of the device."

- French:"

Le présent appareil est conforme aux CNR d'Industrie Canada applicables aux appareils radio exempts de licence. L'exploitation est autorisée aux deux conditions suivantes :

- (1) l'appareil n' doit pas produire de brouillage, et
- (2) l'utilisateur de l'appareil doit accepter tout brouillage radioélectrique subi, même si le brouillage est susceptible d'en compromettre le fonctionnement."

IC Radiation Exposure Statement:

This equipment complies with IC radiation exposure limits set forth for an uncontrolled environment. This equipment should be installed and operated with minimum distance 20cm between the radiator & your body.

Déclaration d' exposition au rayonnement IC:

Cet équipement est conforme aux limites d' exposition au rayonnement IC fixées pour un Environnement non contrôlé. Cet équipement doit être installé et exploité Avec une distance minimale de 20cm entre le radiateur et votre corps.

ZHIYUN-TECH.COM