

Alcatel-Lucent Enterprise OmniAccess Stellar AP1301 series Installation Guide

XXXXXX-XX Rev. A

XXXXXX-XX



Summary of Installation Steps

- WLAN Planning. Usually, a comprehensive site survey is required before installation, such as installation location, brackets, cables, power source, etc.
- Unpack the AP box and check all contents
- Install the AP bracket on ceiling or wall
- Installing the AP
- Connecting required cables
- Power connection
- Verifying post-installation connectivity
- AP provisioning

Access points are radio transmission devices and are subject to governmental regulation. Network administrators who are responsible for the configuration and operation of access points must comply with local broadcast regulations. Specifically, access point must use channel assignments appropriate to the location where the access point will be deployed.

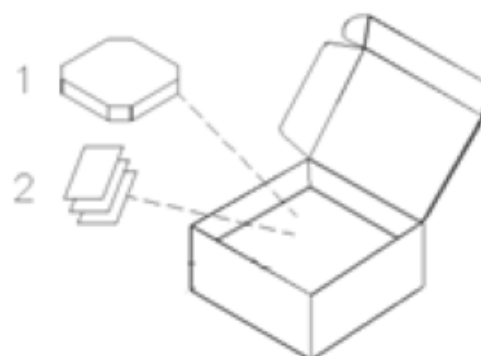
Package Contents

Item	Name	Qty	Unit
1	Access Point	1	Pcs
2	Quick Start Guide	1	Pcs
	Installation Guide	1	Pcs
	Regulatory Compliance and Safety Information	1	Pcs
	User Guide Info Card	1	Pcs

◆ Optional Accessories (To be ordered separately)

Item	Name	Description
1	OAW-AP-MNT-B	Indoor mounting kit, Type B1(9/16") and B2(15/16") for T shaped ceiling rail.
2	OAW-AP-MNT-C	Indoor mounting kit, Type C1(Open Silhouette) and C2 (Flanged Interlude), for other shaped ceiling rail mounting.
3	OAW-AP-MNT-W	Indoor mounting kit, Type W wall and ceiling mounting with screws.

Figure1: Product Packing

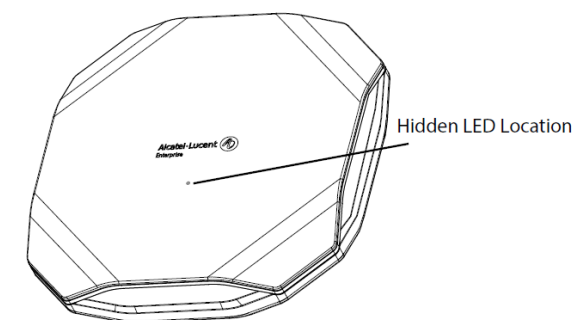


Inform your ALE sales representative of incorrect, missing, or damaged parts. If possible, retain the carton, including the original packing materials. Use these materials to repack and return the unit to the supplier if needed. Additional mounting kits for use with the OmniAccess Stellar access points are sold separately. Contact your ALE sales representative for details.

Hardware Overview

The following sections outline the hardware components of the OAW-AP1301 Series access point.

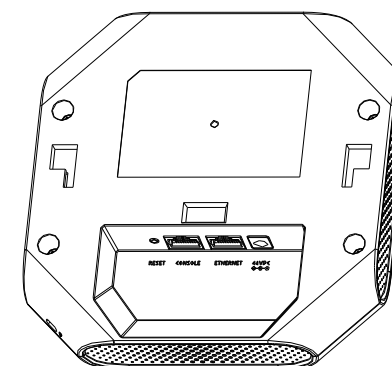
Figure 2: OAW-AP1301 Front View



LED

The OAW-AP1301 Series access point is equipped with hidden LED display that indicates different status with different color. For the details of the LED status, please refer to the Quick Start Guide.

Figure 3: OAW-AP1301 Back View



◆ OAW-AP1301 series External Interfaces

Table 1

Interface	Specifications
1 Gigabit Eht1	1x 10/100/1000BASE-T autosensing (RJ-45) port, Power over Ethernet (PoE). In case of only one WAN link, either of Eth0 and Eth1 could work as WAN, Eth0 would be more preferred. In case of two WAN links, Eth0 + Eth1 would be preferred.
1 Gigabit LAN	1x 10/100/1000BASE-T autosensing (RJ-45) port.
Console	RJ-45 female connector, default is RS-232 Console for Service & Support only. Support software configure to RS-485 mode.
USB	USB 2.0 host interface (Type C, output current 0.5A)
DC Power Socket	DC 48V power jack, support powering AP through a designated AC-DC power adapter.
Reset	Factory reset. Press reset button for 5s, AP LEDs will quickly flash for 3s, then AP will restart and restore factory configurations.
Security Lock Slot	The AP is equipped with a security lock slot for additional security.

<https://www.al-enterprise.com>

The Alcatel-Lucent name and logo are trademarks of Nokia used under license by ALE. To view other trademarks used by affiliated companies of ALE holding, visit: <https://www.al-enterprise.com/en/legal/trademarks-copyright>. All other trademarks are the property of their respective owners. The information presented is subject to ALE without notice. Neither ALE Holding nor any of its affiliates assumes any responsibility for inaccuracies contained herein. (2020)

Table 2
Ethernet Port Pinout

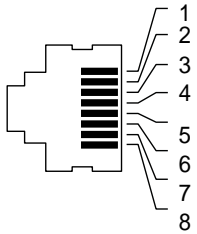
Connector	Pin	Signal Name	PoE
	1	RJ45_DA+	PoE-
	2	RJ45_DA-	PoE-
	3	RJ45_DB+	PoE+
	4	RJ45_DC+	PoE+
	5	RJ45_DC-	PoE+
	6	RJ45_DB-	PoE+
	7	RJ45_DD+	PoE-
	8	RJ45_DD-	PoE-

Table 3

Console Port Pinout

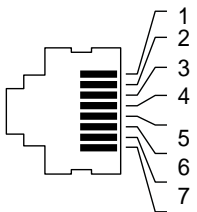
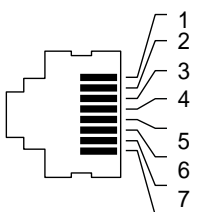
Connector	Pin	Signal Name	Function
	3	TXD	Transmit
	4	GND	Ground
	5	GND	Ground
	6	RXD	Receive
	Pins not listed are not connected.		

Table 4

RS-485 Port Pinout

Connector	Pin	Signal Name	Function
	1	RS485_B	Data-
	2	RS485_A	Data+
	4	GND	Ground
	5	GND	Ground
	Pins not listed are not connected.		

✧ Note: The serial console port allows you to connect the AP to a serial terminal or a laptop for direct local management. This port is an RJ-45 female connector with the pinouts described in Table 3. Currently for use by Service & Support only.

Note: The RS-485 port allows you to connect the AP to a RS-485 terminal. The maximum allowable current of PSE 12V power output is 300mA. In addition, PSE 12V power output can be turned on and off by software. This port is an RJ-45 female connector with the pinouts described in Table 4.

shown in Figure 3.
The PoE allows the Ethernet port to draw power from an IEEE 802.3at compliant source.
OmniAccess Stella AP supports the power adapter provided by ALE ONLY.

Before You Begin

Refer to the sections below before beginning the installation process.

Pre-installation Checklist

Before installing your OAW-AP1301 Stellar access point, be sure that you have the following items:

- 8-conductor, CAT5 or better UTP cable of required length.
- One of the following power sources:
 - IEEE 802.3at compliant Power over Ethernet (PoE) source (PoE switch or PoE injector).
 - AC-DC adapter (sold separately), output voltage DC 48V, output current $\geq 0.6A$
- A terminal or a notebook

Identifying Specific Installation Locations

You can mount the OmniAccess Stellar AP on a ceiling rail or on a wall. You should first determine the location of the installation. The installation position is located at the center of the required coverage area and should be free from obstructions or obvious sources of interference.

- Minimize the number of obstructions (such as walls) between the AP and user terminals.
- Electronic equipment or devices (such as microwave ovens) which may produce radio frequency noise should be away from the installation position of the AP.

It is strictly prohibited to install around stagnant water, water seepage, leakage or condensation. Avoid cable condensation or water seepage along the cables connecting to the AP.

AP Installation

Refer to mounting kits installation Guide.

Verifying Post-Installation Connectivity

The LED on the AP can be used to verify that the AP is receiving power and initializing successfully.

Product Specifications

OAW-AP1301 series Dimensions/Weight

Unboxed OAW-AP1301:

- Net Weight: 1.64lbs / 0.74kg
- Dimensions (HxWxD): 7.1 inches x 7.1 inches x 1.42 inches (18 cm x 18cm x 3.6cm)

Environmental

- Operating :
 - Temperature: 0°C to +50°C (+32°F to +122°F)
 - Humidity: 10% to 90% non-condensing
- Storage and transportation :
 - Temperature: -40°C to +70°C (-40°F to +158°F)

For additional specifications on this product, please refer to the Datasheet.

Website Support	
Main Site	https://www.al-enterprise.com/
Support Site	https://businessportal2.alcatel-lucent.com
Support Email	ebg_global_supportcenter@al-enterprise.com
Telephone Support	
North America	1-800-995-2696
Latin America	1-877-919-9526
Europe	+800 00200100 (Toll Free) or +1(650)385-2193
Asia Pacific	+65 6240 8484
Other Region	1-818-878-4507

Power

The OAW-AP1301 series access point supports direct DC power adapter (48V DC nominal, sold separately) and Power over Ethernet (PoE). The DC power connector port is located on the back of the device, as