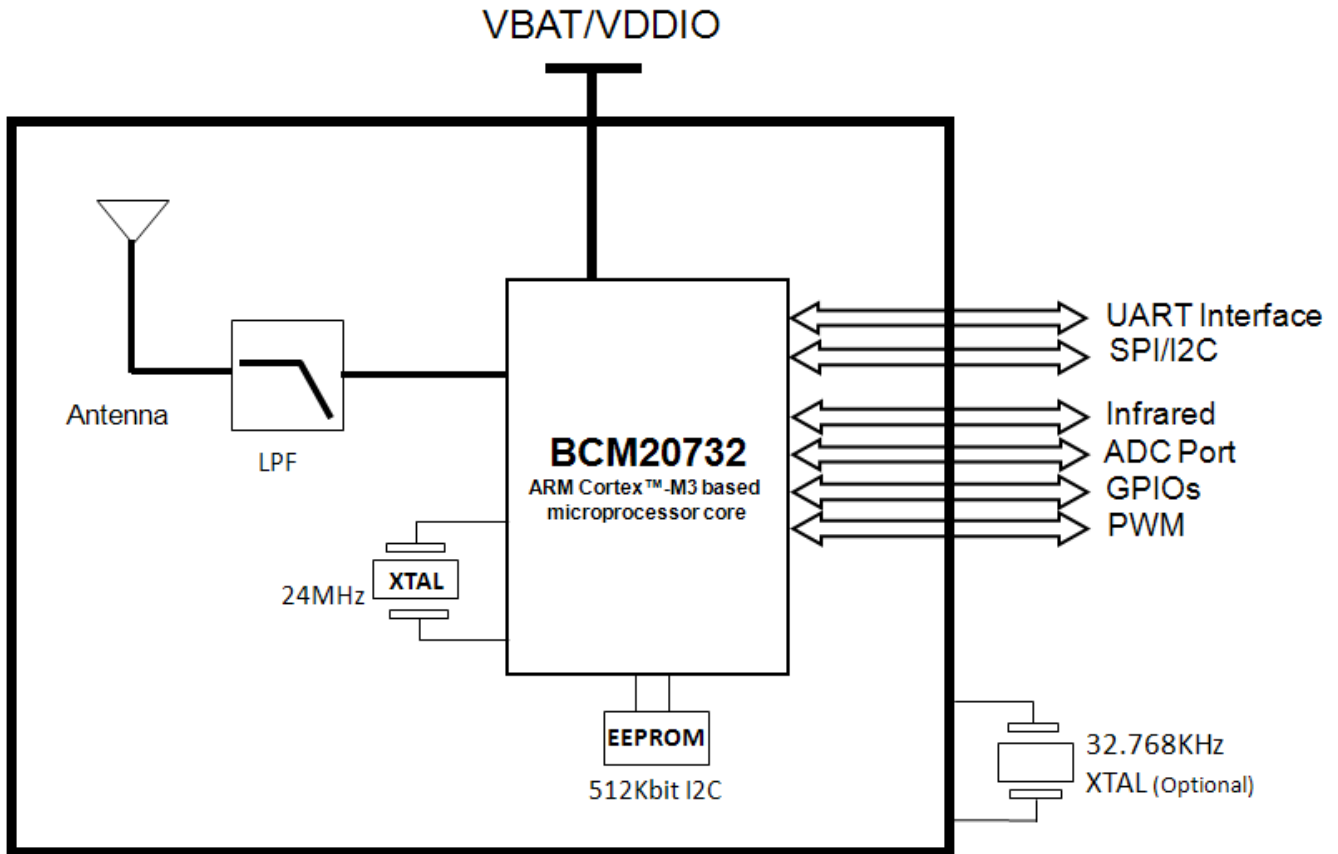


2. Block Diagram



- ADC** **Analog to Digital Converter**
- I2C** **Intelligent Interface Controller**
- SPI** **Serial Peripheral Interface**
- UART** **Universal synchronous/asynchronous receiver transmitters**