

Keep these instructions for future reference as they contain important information.

## This is a MOTORIZED TOY – BATTERIES REQUIRED

3 LR44 button-cell batteries included for "TRY ME" function

WM051-A

Remote Control  
Convertible Car

5+  
years



©2016 Wal-Mart Stores, Inc.  
My Life As is a trademark of Wal-Mart Stores, Inc.  
All Rights Reserved.  
Distributed by Wal-Mart Stores, Inc., Bentonville, AR 72716  
MADE IN CHINA

Requires 6 AA (LR6) Alkaline Batteries (Car) & 2 AAA (LR03) Alkaline Batteries (Remote)

### Battery Removal and Installation Instructions

1. Open the battery door with a Phillips screwdriver.
2. If used or spend batteries are present, remove these batteries from the unit by pulling up on one end of each battery.
3. Install new batteries as shown in the polarity (+/-) diagram inside the battery compartment.
4. Replace battery door securely.

### HOW TO OPERATE

My Life As© Convertible RC Car

1. For best results, use on a smooth surface, indoor or outdoor or on low-pile carpet.
2. Make sure the power switch underneath the car is switched to the 'OFF' position.
3. Following the battery diagram (*Fig. 1*) place 2 x AAA batteries in the battery compartment for the remote control.
4. Switch power button underneath the remote control to 'ON' position.
5. Replace door for battery compartment securely with a small Phillips screwdriver.
6. Following the battery diagram (*Fig. 2*) place 6 x AA batteries in the compartment underneath the car.
7. Replace door for battery compartment securely with a small Phillips screwdriver.
8. Switch power button underneath the car to 'ON' position. Headlights and taillights will light up immediately.
9. Use the remote control directional buttons as follows:  
(↑)forward      (→) turns the front wheels to the right direction  
(↓)reverse      (←) turns the front wheels to the left direction

### SAFETY INSTRUCTIONS

#### Battery Safety

Batteries are small objects. Batteries MUST be replaced by an adult. Follow the polarity (+/-) diagram in the battery compartment. Promptly remove dead batteries from the product. Dispose of used batteries properly. Remove batteries for prolonged storage. Only batteries of the same or equivalent type as recommended are to be used. DO NOT incinerate used batteries. DO NOT dispose of batteries in fire, as batteries may explode or leak. DO NOT mix old and new batteries or type of batteries (i.e., alkaline/standard). DO NOT recharge non-rechargeable batteries. DO NOT use rechargeable batteries. This product may not operate properly and may not function at all. DO NOT short-circuit the supply terminals. Always follow toy and battery manufacturer's instructions regarding use and disposal.

### FCC ID:2AH6SWM051-A

#### FCC STATEMENT

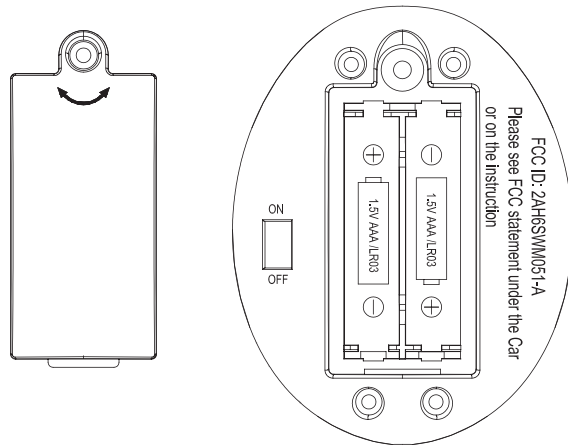
**Warning:** Changes or modifications to this unit not expressly approved by the party responsible for compliance could void the user's authority to operate the equipment.

NOTE: This equipment has been tested and found to comply with the limits for Class B digital device, pursuant to part 15 of the FCC rules. These limits are designed to provide reasonable protection against harmful interference in a residential installation. This equipment generates, uses and can radiate radio frequency energy and if not installed and used in accordance with the instructions, may cause harmful interference to radio or television reception, which can be determined by turning the equipment off and on, the user is encouraged to try to correct the interference by one or more of the following measures:

- Reorient or relocate the receiving antenna.
- Increase the separation between the equipment and the receiver.
- Connect the equipment into an outlet on a circuit different from that to which the receiver is connected.
- Consult the dealer or an experienced radio/TV technical for help.

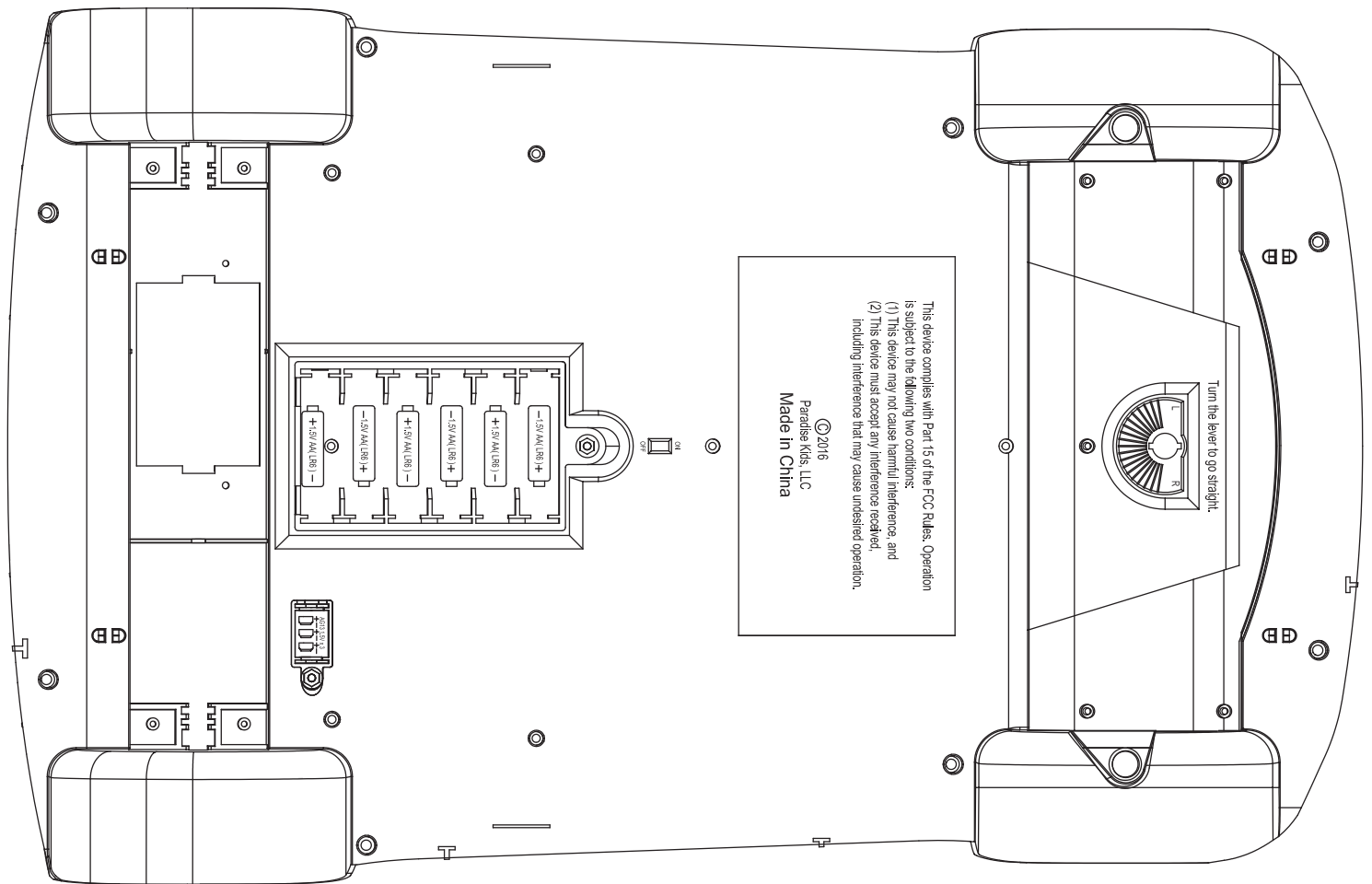
This device complies with Part 15 of the FCC Rules. Operation is subject to the following two conditions:

- (1) This device may not cause harmful interference, and
- (2) This device must accept any interference received, including interference that may cause undesired operation.



**FIG. 1**

**REMOTE CONTROL POWER SWITCH & BATTERY COMPARTMENT**



**FIG. 2**

**RC CAR POWER SWITCH & BATTERY COMPARTMENT**