

SMART E-SCOOTER

Fashionable | Portable | Smart

Scoot360.com
ELECTRONIC SCOOTERS



ASSEMBLY &
USER'S MANUAL



Scoot360.com
ELECTRONIC SCOOTERS

Read and understand this entire manual before riding!

NOTE: Manual illustrations are for demonstration purposes only. Illustrations may not reflect exact appearance of actual product. Specifications subject to change without notice.

 **SAFETY WARNINGS**

WARNING: Riding an electric scooter does present potential risks and caution is required. Like any riding product, an electric scooter has inherent hazards associated with its use (for example, falling off or riding it into a hazardous situation). Like any riding product, electric scooters can and are intended to move and it is therefore, of course, possible to lose control or otherwise get into dangerous situations. Both children and adults responsible for supervising them must recognize that if such things occur, a rider can be seriously injured or die, even when using safety equipment and other precautions. **RIDE AT YOUR OWN RISK AND USE COMMON SENSE.**

 **WARNING: PARENTAL AND ADULT RESPONSIBILITY AND SUPERVISION IS NECESSARY:**

Because products, like electric scooters, can and do present potential hazards plainly associated with their use, it is well recognized THE NEED FOR EXERCISE OF PARENTAL RESPONSIBILITY IN SELECTING RIDING PRODUCTS APPROPRIATE TO THE AGE OF A CHILD, OR PARENTAL SUPERVISION IN SITUATIONS IN WHICH CHILDREN OF VARIOUS AGES MAY HAVE ACCESS TO THE SAME RIDING PRODUCTS, IS IMPORTANT. Not every product is appropriate for every age or size of child, and different age recommendations are found within this category of product which are intended to reflect the nature of the hazards and the expected mental or physical ability, or both, of a child to cope with the hazards.

The recommended rider age is 12 and older. Any rider unable to fit comfortably on the scooter should not attempt to ride it. A parent's decision to allow his or her child to ride this product should be based on the child's maturity, skill and ability to follow rules.

Keep this product away from small children and remember that it is intended for use only by persons who are, at a minimum, completely comfortable and competent while operating the scooter

Persons with any mental or physical conditions that may make them susceptible to injury, impair their physical dexterity or mental capabilities to recognize, understand, and follow safety instructions and to be able to understand the hazards inherent in scooter use, should not use or be permitted to use products inappropriate for their abilities. Persons with heart conditions, head, back or neck ailments (or prior surgeries to these areas of the body), or pregnant women, should be cautioned not to operate such products.

 **DO NOT EXCEED THE WEIGHT LIMIT OF 220LBS.**

Rider weight does not necessarily mean a person's size is appropriate to fit or maintain control of the scooter.

 **CHECK AND MAINTAIN SCOOTER CONDITIONS**

Before use, check to confirm that any and all chain guards or other covers and guards are in place and in serviceable condition. Check that the brake is functioning properly, and that tires are inflated properly and have sufficient tread remaining. The scooter should be maintained and repaired in accordance with the manufacturer's specifications, using only the manufacturer's authorized replacement parts, and should not be modified from the manufacturer's original design and configuration.

 **ACCEPTABLE RIDING PRACTICES AND CONDITIONS**

Always check and obey any local laws or regulations, which may affect the locations where the electric scooter may be used. Keep safely away from cars and motor vehicle traffic at all times, and only use where allowed and with caution. Do not activate the speed control on the hand grip unless you are on the scooter and in a safe, outdoor environment suitable for riding.

The normal powered top speed of this scooter will be approximately 15MPH, which can be affected by conditions, such as rider weight, inclines, tire inflation and battery charge level. Avoid excessive speeds that can be associated with downhill rides. Maintain a hold on the handlebars at all times. Do not touch the brakes or motor on your scooter when in use or immediately after riding as these parts can become very hot. Ride defensively. Watch out for potential obstacles that could catch your wheel

or force you to swerve suddenly or lose control. Be careful to avoid pedestrians, skaters, skateboards, scooters, bikes, children or animals who may enter your path, and respect the rights and property of others. The electric scooter is intended for use on flat, dry surfaces such as pavement or level ground, without loose debris, such as sand, leaves, rocks or gravel. Wet, slick, bumpy, uneven or rough surfaces may impair traction and contribute to possible accidents. Do not ride your scooter in mud, ice, puddles or water. Watch out for potential obstacles that could catch your wheel or force you to swerve suddenly or lose control. Avoid sharp bumps, drainage grates, and sudden surface changes. Do not attempt or do stunts or tricks on your electric scooter. The scooter is not made to withstand abuse from misuse, such as jumping, curb grinding or any other type of stunts. Racing, stunt riding, or other maneuvers also enhance risk of loss of control, or may cause uncontrolled rider actions or reactions. Never allow more than one person at a time to ride the scooter. Do not ride at night or when visibility is limited. Never use near steps or swimming pools. Do not allow hands, feet, hair, body parts, clothing, or similar articles to come in contact with moving parts, wheels, or drivetrain, chain while the motor is running. Never use headphones or a cell phone when riding. Never hitch a ride with a vehicle. Do not ride your scooter in wet or icy weather and never immerse the scooter in water, as the electrical and drive components could be damaged by water or create other possibly unsafe conditions. Never risk damaging surfaces, such as carpet or flooring, by use of an electric scooter indoors.

PROPER RIDING ATTIRE

Always wear proper protective equipment, such as an approved safety helmet (with chin strap securely buckled), elbow pads and kneepads. A helmet may be legally required by local law or regulation in your area. A long-sleeved shirt, long pants, and gloves are recommended. Always wear athletic shoes (lace-up shoes with rubber soles), never ride barefooted or in sandals, and keep shoelaces tied and out of the way of the wheels, motor and drive system.

USING THE CHARGER

The charger supplied with the electric scooter should be regularly examined for damage to the cord, plug, enclosure and other parts. In the

event of such damage, the scooter must not be charged until the charger has been repaired or replaced. Use only with the recommended charger. Use caution when charging. The charger is not a toy. Charger should be operated by an adult. Do not operate charger near flammable materials. Unplug charger and disconnect from scooter when not in use. Do not exceed charging time. Always disconnect from the charger prior to wiping down and cleaning your scooter with damp cloth. **FAILURE TO USE COMMON SENSE AND HEED THE ABOVE WARNINGS INCREASES RISK OF SERIOUS INJURY. USE WITH APPROPRIATE CAUTION AND SERIOUS ATTENTION TO SAFE OPERATION.**

Product Manual

This manual contains important instruction for safety usage, please be patient to read it completely before using the product.

Each package contains:

- One (1) Smart E-scooter
- 110V Charger
- Tool Kit
- Operation Manual
- Warranty Card
- Certificate of Quality

Part One E-scooter Introduction

1.1 Product Features.....	P01
1.2 Product Specifications.....	P02

Part Two Product Operations

2.1 Intelligent digital display.....	P03
2.2 Product Function.....	P04
2.3 How to use.....	P05-06
2.4 How to fold	P07-08
2.5 Intelligent alarm.....	P09-10
2.6 Charging your e-scooter.....	P11
2.7 Charging your Phone or Tablet.....	P11
2.8 Bluetooth speaker.....	P12
2.9 Cruise mileage display	P12
2.10. Cruise control setting	P12

Part Three - Safety Usage	P13-14
--	---------------

Part Four - Maintenance	P15
--------------------------------------	------------

Part Five - After - Sales Service	P16-17
--	---------------

1.1 Product Introduction

We are dedicated to produce the most fashionable and portable intelligent scooter for short distance trips. With its tri-dimensional K shape design, unrestrained color theme, top level technology and unique craftsmanship it makes the choice for high-quality personal transportation.

It also features a foldable and portable innovative design making our scooters the top choice for office staffs, students, white-collar worker and more. To us the design is in the details and this is why we equip the E-scooter with modern technology to make your trip even more enjoyable!

Product features:

1. USB charging interface
2. Water-proof stereo Bluetooth speaker
3. Super endurance ability, high performance battery imported from SAMSUNG & LG companies
4. Speed control system
5. LED headlight

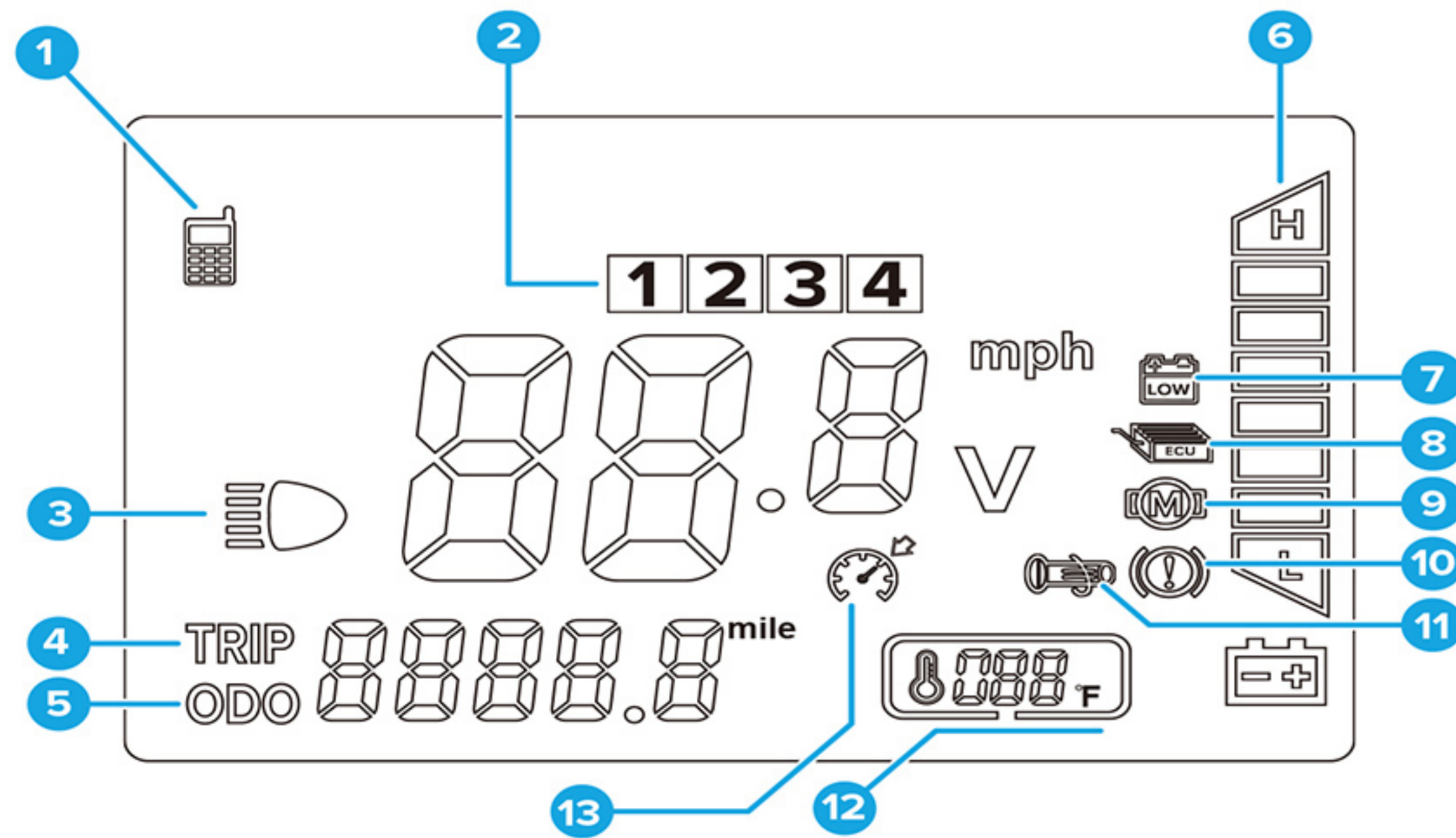
1.2 Product Specifications

ITEM	SPECIFICATION
Dimension Folded	49.0in X 22.0in X 10.2in
Dimension Unfolded	48.8in X 39.1in X 24.0in
Weight	39 lb
Loading Weight	264 lb
Max Speed	15.53 mph
Endurance Mileage	<input checked="" type="checkbox"/> 21 mi - 27 mi <input type="checkbox"/> 27 mi - 34 mi
Charging Time	3-5 hrs
Battery Capacity	<input checked="" type="checkbox"/> 8.8AH <input type="checkbox"/> 10.4AH
Battery Type	Lithium
Nominal Voltage	36V
Rated Power	240w
Motor Type	Brushless Gear Motor
Motor Rated Torque	6.6N.M
Electricity Consumption for One Charging Round	0.3 degree
Overcurrent Protection	3A±1A
Controller Under-Voltage Protection	30±1V
Controller Power Tube Number	6 tubes

Part Two Product Operation

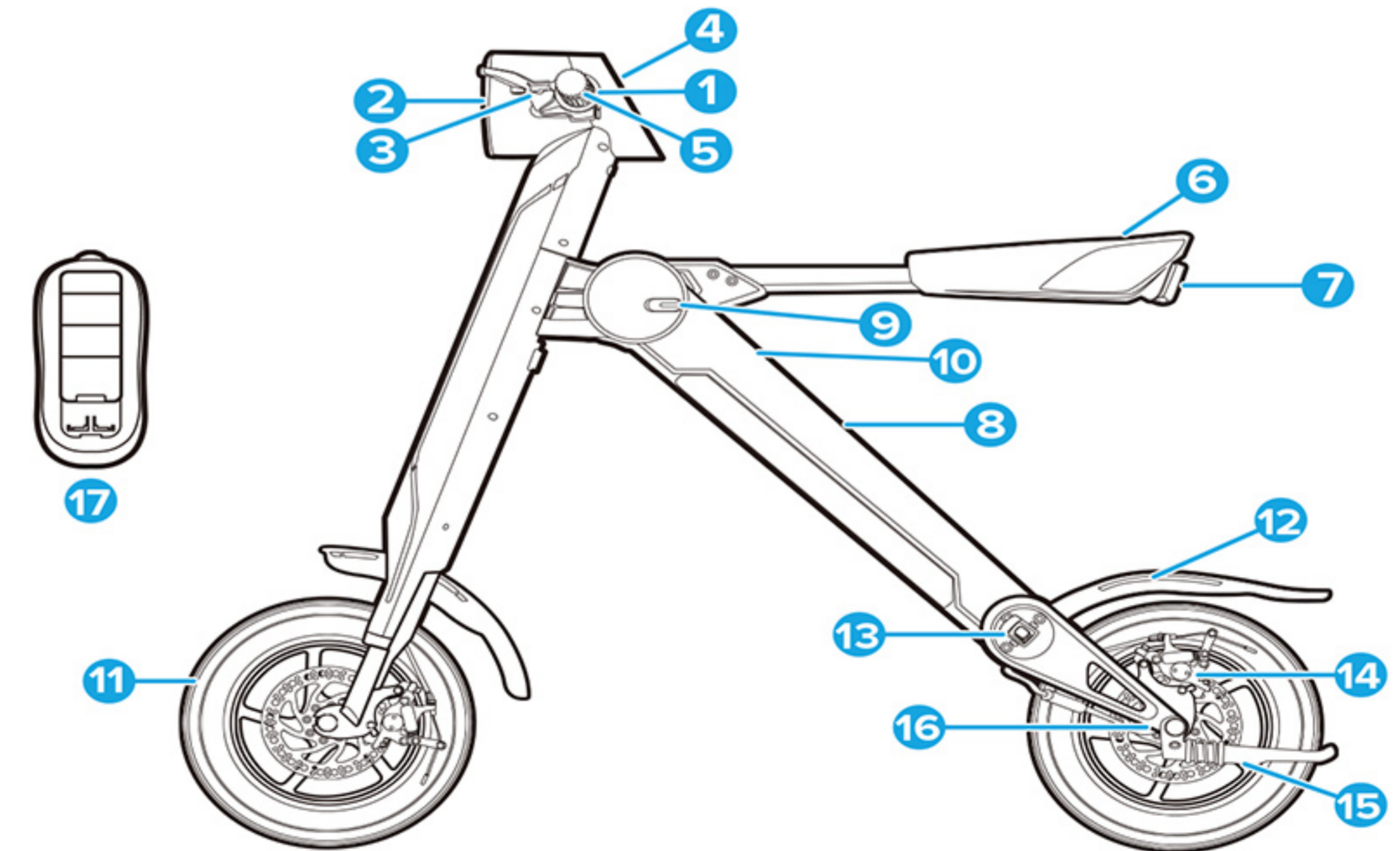
2.1 Intelligent digital display

1. Cellphone Charging Display
2. Assistant Shift
3. Headlight
4. Single Trip Mileage
5. Total Trip Mileage
6. Battery Display
7. Undervoltage Reminder
8. Controller Malfunction
9. Motor Malfunction
10. Brake Display
11. Grip Malfunction
12. Temperature Display
13. Speed Control



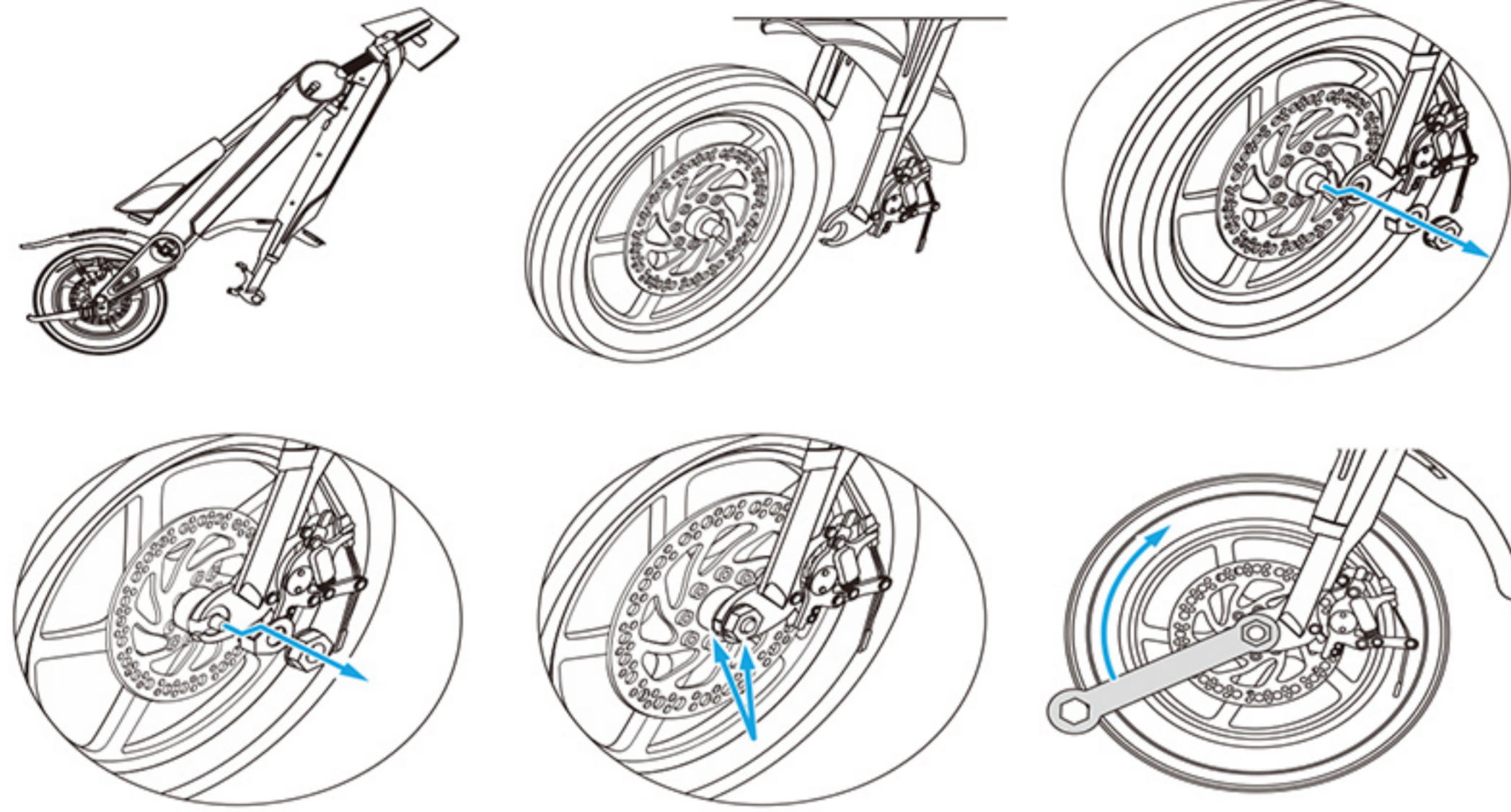
2.2 Product Function

1. **Foldable Handlebar:** Innovative foldable design clip for easy storage.
2. **Big LED Headlight:** Effectively increases brightness for high visibility.
3. **Brake to Power-Off:** Allows you to safely stop while conserving energy.
4. **LCD Display:** To show speed, mileage, and temperature etc.
5. **Grip:** Eco-friendly, ergonomic & comfortable to hold.
6. **Genuine Leather Seat:** Designed for comfort.
7. **Rear Reflector:** Safety feature for night driving.
8. **SAMSUNG & LG Battery:** Fast recharging, environment friendly, and long lasting.
9. **Foldable Clip:** Solid and durable design.
10. **Power Switch**
11. **Taiwan Cheng Shin/Kenda Tire:** Automobile standard tire, top-level anti-friction material, safety and anti-explosion.
12. **Tire Guard:** Protects both front and rear tires to avoid mud splashing on scooter or rider.
13. **Foldable Pedal:** Ergonomically designed for comfortable and convenient foot placement while riding.
14. **Front & Rear Disc Brake:** Providing extra safety for your ride.
15. **Kickstand:** Strong and durable.
16. **Brushless Gear Motor:** Providing strong power while being environmentally friendly and low on energy consumption.
17. **Remote Key:** Small and easy to carry.

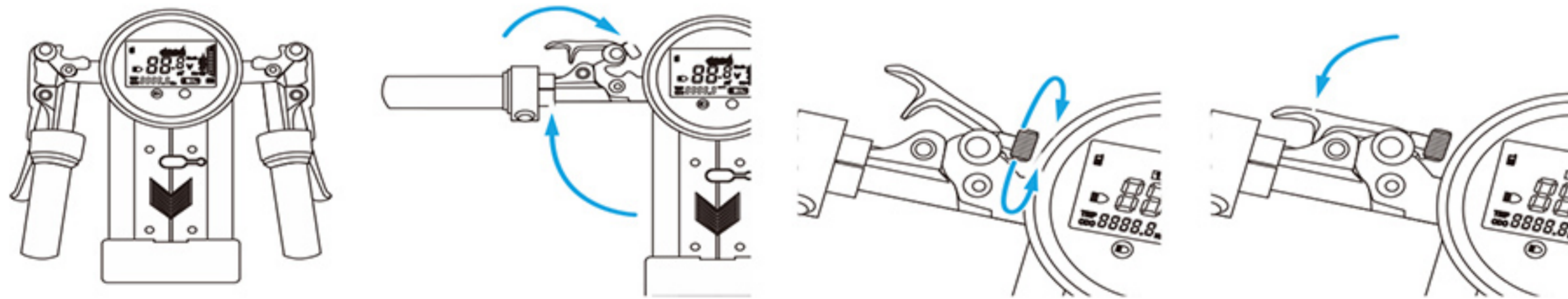


2.3 How to Use

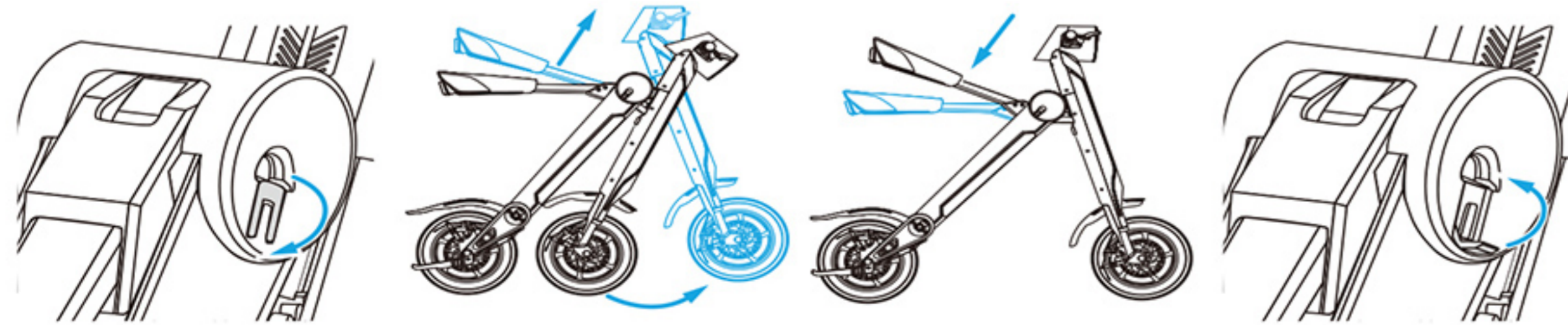
1. Open the package, attach the front tire with the tool provided (as shown).



2. Attach the handle bar.



3. Release the clip and unfold the scooter.



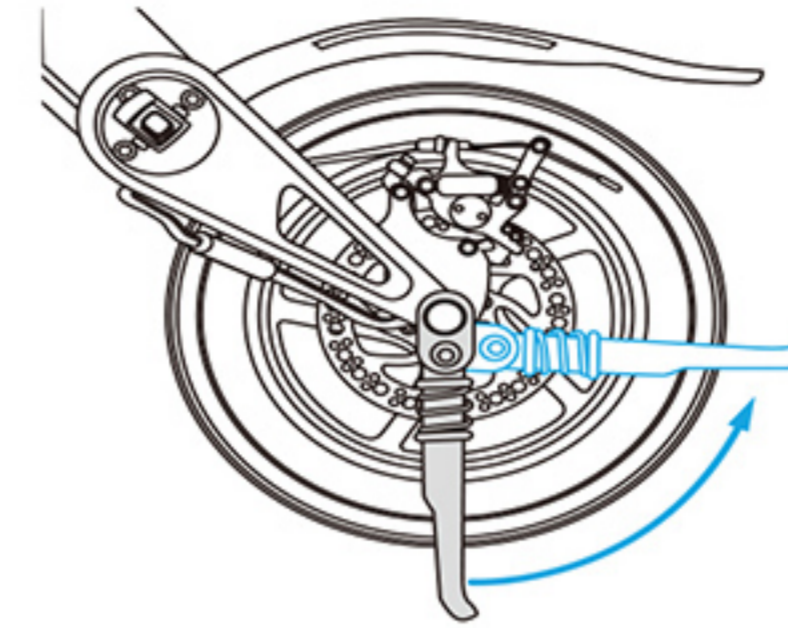
Pull open as shown

Lift the saddle bar. The front will unfold automatically.

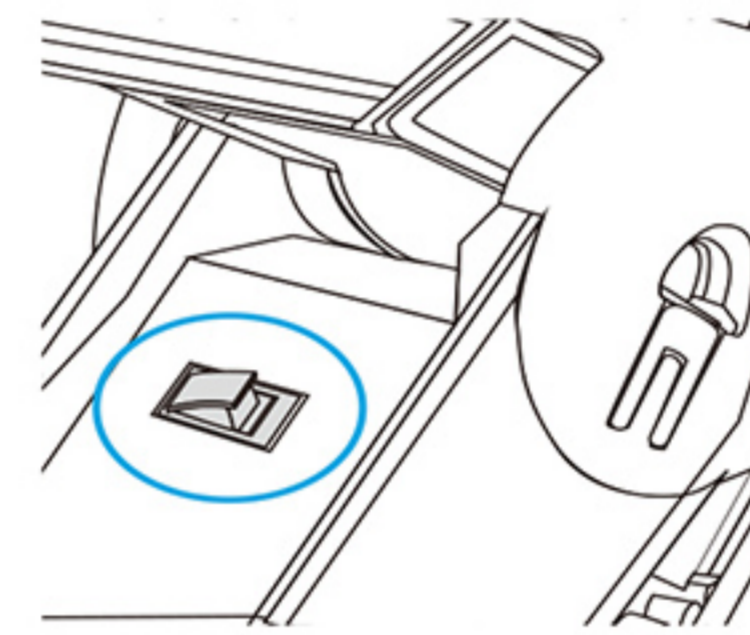
Press saddle bar downward to lock in place.

Lock the clip in place to secure saddle bar.

4. Unfold the pedal and kickstand.



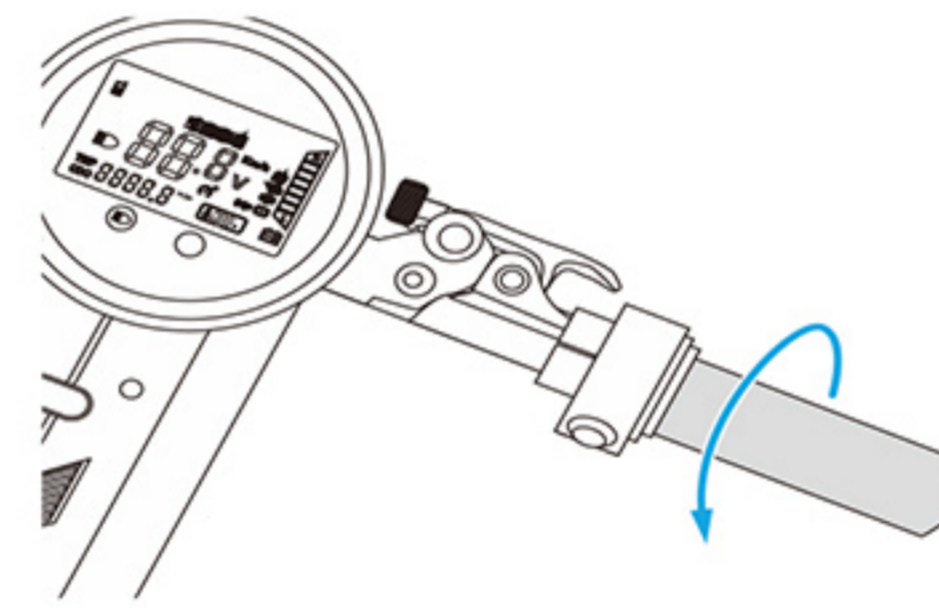
5. Switch on the battery.



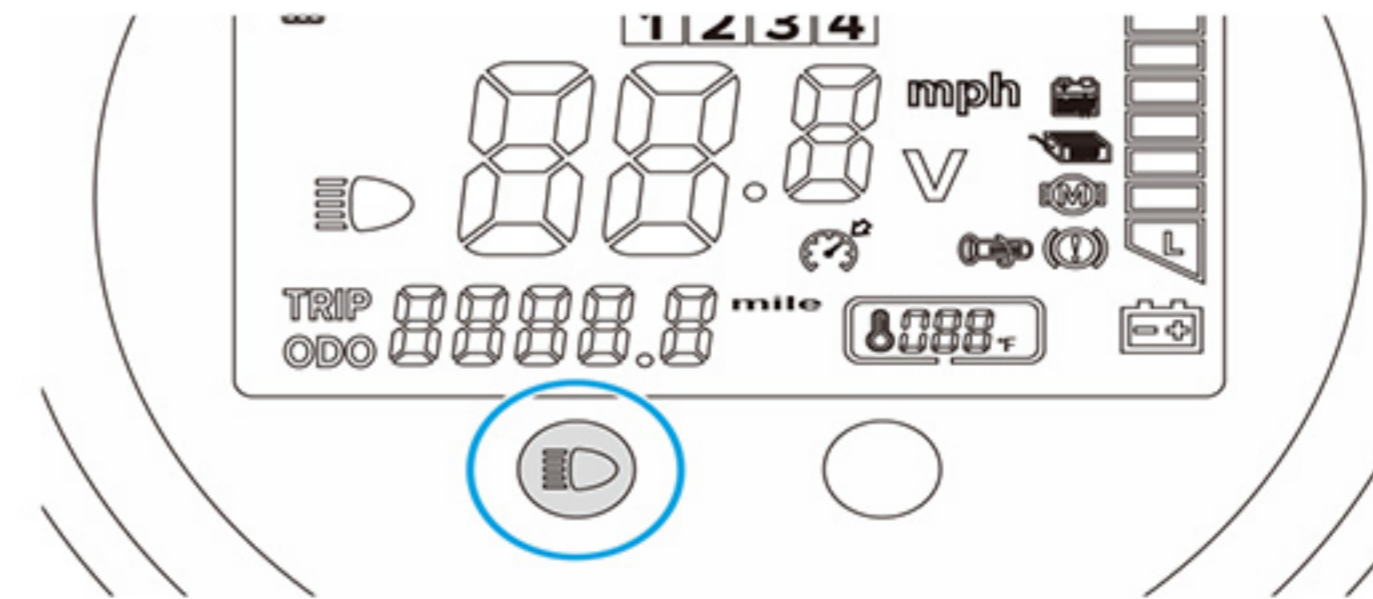
6. Press remote key to unlock and start the power.

Steps:  +  + 
Press the "unlock" button once, then press "power" button twice

7. Slowly rotate the right grip to start the scooter.



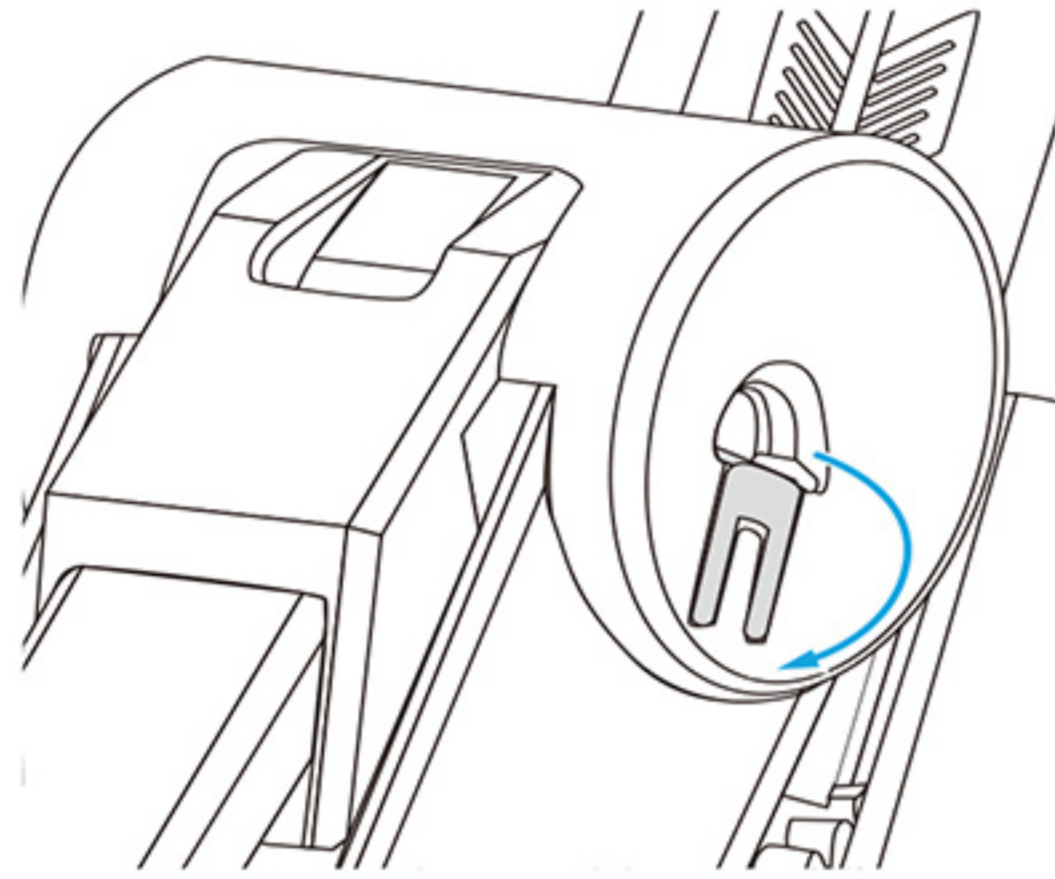
8. Press the left button (as shown) to turn on the headlight.



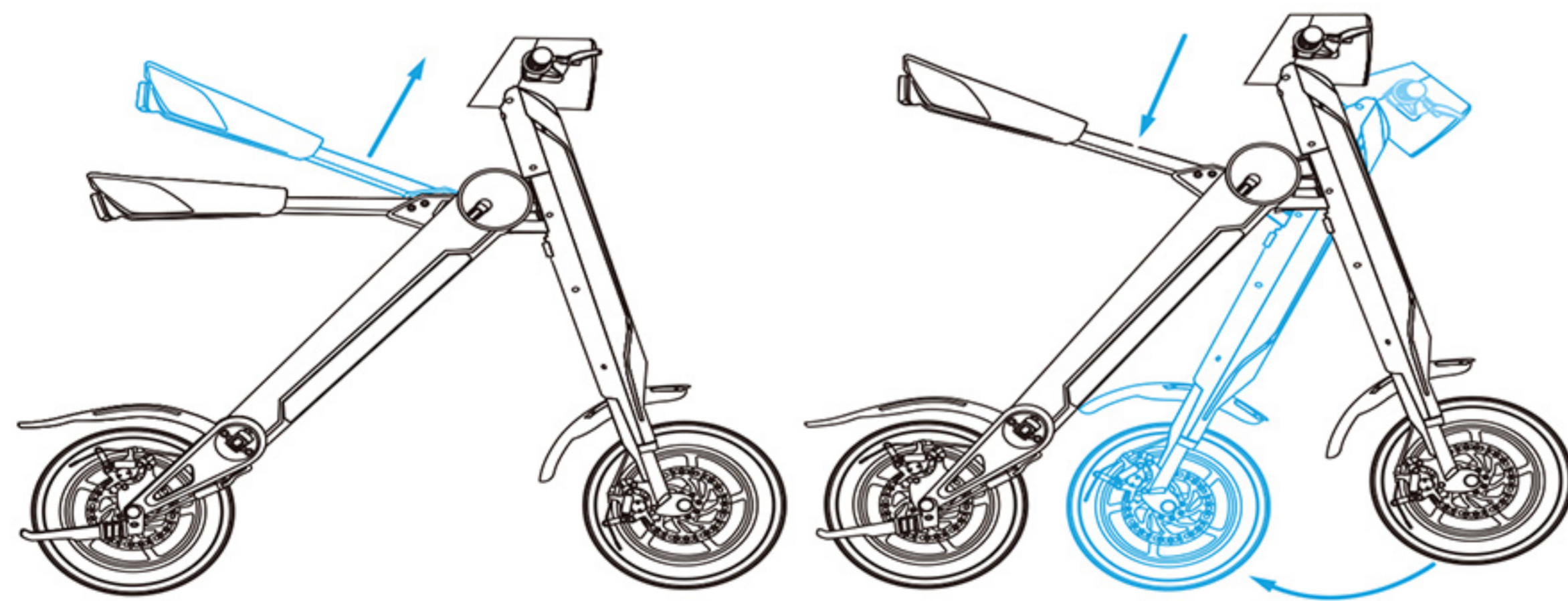
2.4 How to fold

Fold

1. Open the foldable clip first (as shown).

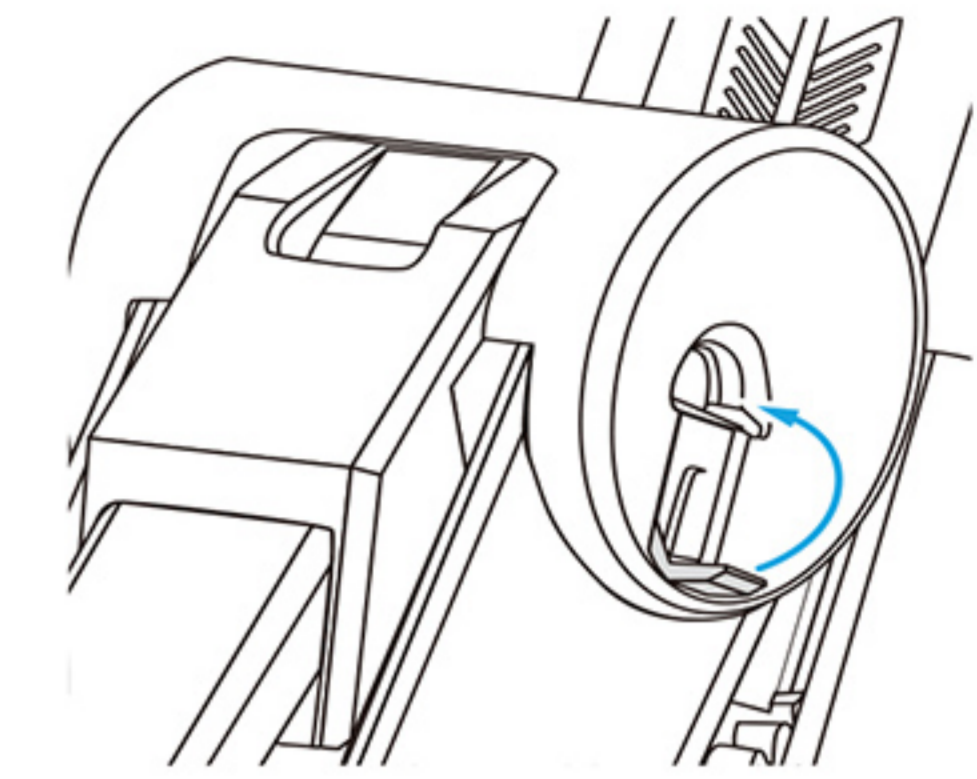
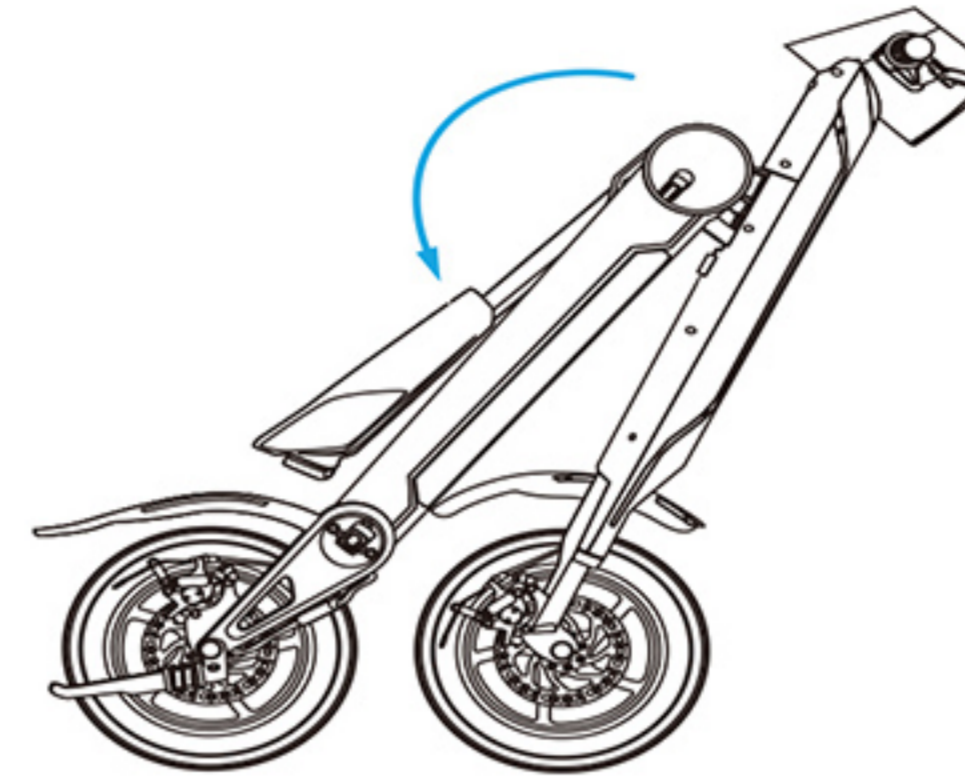


2. Pull open as the arrow direction shows.



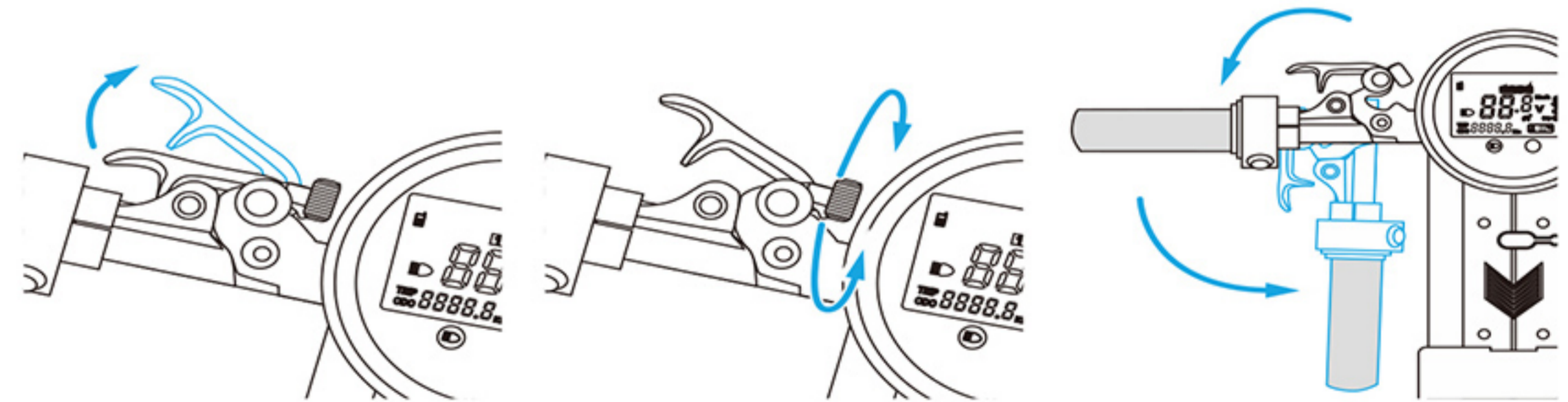
3. Lift the seat bar and the front wheel will fold naturally.

4. Press the seat bar into the frame slot. Folding action is complete when you hear it click.



Push close as the arrow direction shows

5. Pull up on the handlebar release clip and press the grip downward.



6. The scooter is now fully folded.

