

**Product Name:** LED Desk Lamp with 5W Wireless Charger  
**Model:** MIC-DL001

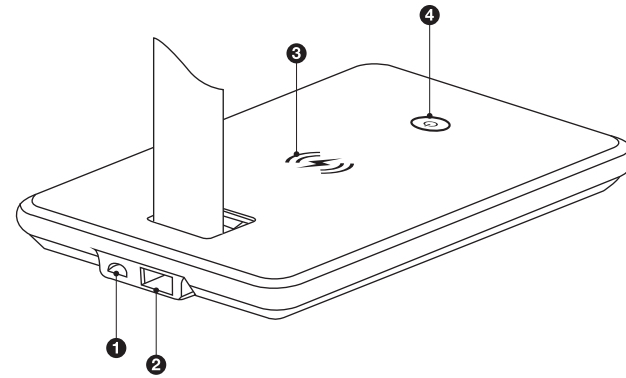


### USER'S MANUAL FOR MIC-DL001

PLEASE READ BEFORE  
USING THIS PRODUCT

- Package Includes:**
- LED lamp + charger
  - USB power adapter
  - User manual

### Detailed Instructions and Diagrams



- 1 Micro USB Input
- 2 USB Out Port
- 3 Wireless Charging Area
- 4 Power Button / LED

### Technical Specifications:

Wireless charger output: 5W  
USB charger output: 5V/1A  
LED Lamp output: 650mA  
Lumens: 90 lm  
Adapter: 5V/2.5A 12.5W

### Preparing to Charge:

- The LED Lamp wireless charging pad can charge Qi enabled smartphones.
- You can charge your smartphone with a protective case on it. (Works with most cases up to 4mm thick.)
- If your protective case has metallic studs, magnetic clasps, or a magnetic plate, you should remove the case before placing your phone on the mount.
- Also ensure the protective case does not create distance between the charging pad and the back of the phone that is greater than 4mm.
- Connect the LED Lamp to power using the included USB power adapter.
- Place your Qi enabled mobile phone in the center of the charging pad.

### USB Charging:

- Connect your device's existing USB cable to the USB out port to charge USB devices.

### LED Light:

- The LED Lamp has 3 brightness levels. Press the power button to turn on/off and switch between brightness levels.

### Troubleshooting:

- No power: Make sure the LED Lamp is connected to power. Plug the included USB power adapter into a AC power outlet and the micro USB input on the back of the LED Lamp.
- Device isn't charging (wireless): Make sure your smartphone is Qi enabled and is placed in the center of the charging area.
- Device isn't charging (USB): Make sure the USB cable is connected from the USB out port on the LED Lamp and connected to your device.

### Precautions:

- Medical Implants: Please maintain a minimum of 20 cm safe distance between the LED Lamp (when powered ON) and any medical implants that can be affected by a magnetic field, such as pacemakers.
- Do not immerse in liquid.
- Do not place a magnet or any magnetically sensitive devices such as credit cards on the charging pad.
- Avoid placing metal or magnetic objects near the LED Lamp to prevent damage.

### FCC Notice:

This device complies with Part 15 of the FCC Rules. Operation is subject to the two following conditions:

1. This device may not cause harmful interference.
2. This device must accept any interference received, including interference that may cause undesired operation.

### Technical Support:

**Please do not attempt to fix the product by yourself. If you are experiencing any problems with the product, please do not return it to the store you bought it from. You can contact our technical support representatives and they will assist you with any questions you might have.**

For assistance operating your product, please consult the User's Manual first, then feel free to contact Merkurs Innovations technical support:

### FCC Warning

This device complies with part 15 of the FCC Rules. Operation is subject to the following two conditions: (1) This device may not cause harmful interference, and (2) this device must accept any interference received, including interference that may cause undesired operation. Any Changes or modifications not expressly approved by the party responsible for compliance could void the user's authority to operate the equipment. This equipment has been tested and found to comply with the limits for a Class B digital device, pursuant to part 15 of the FCC Rules. These limits are designed to provide reasonable protection against harmful interference in a residential installation. This equipment generates uses and can radiate radio frequency energy and, if not installed and used in accordance with the instructions, may cause harmful interference to radio communications. However, there is no guarantee that interference will not occur in a particular installation. If this equipment does cause harmful interference to radio or television reception, which can be determined by turning the equipment off and on, the user is encouraged to try to correct the interference by one or more of the following measures:

- Reorient or relocate the receiving antenna.
- Increase the separation between the equipment and receiver.
- Connect the equipment into an outlet on a circuit different from that to which the receiver is connected.
- Consult the dealer or an experienced radio/TV technician for help. The device has been evaluated to meet general RF exposure requirement. The device can be used in portable exposure condition without restriction. FCC ID:2AG8N-MIC-DL001