

POWER FLEET®

www.powerfleet.com

P/N: 902-00000450 REV B (H) XXXXXXXXXXXXX

Model: MVAC 3.5

FCC ID: 2AG69MVAC35
IC: 9975A-MVAC35

GUIDE:

ICCID:

MSISDN:

HW ID:

Input: 1A @ 7-16 VDC
U.S. Patents 6898943, 7656271,
8370268, 8671063 and others

Assembled in Israel
Tampering voids warranty



Contains:

FCC ID: XMR202005BG95M5



Contains : IC: 10224A-2020BG95M5

BOTH LEDs OFF After Install: Normal OFF At Install: No Power
(1) FAST BLINK: Prepare Car **(2) SOLID:** Wait **(3) SLOW BLINK:** Train Keys

For Customer Service: support@powerfleet.com
+1 888-417-1736

FAST BLINK: FW Download
SLOW BLINK: Installing
SOLID ON: Install Success

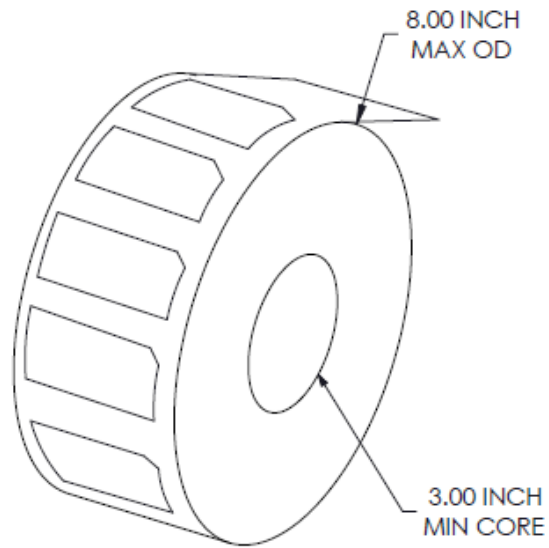
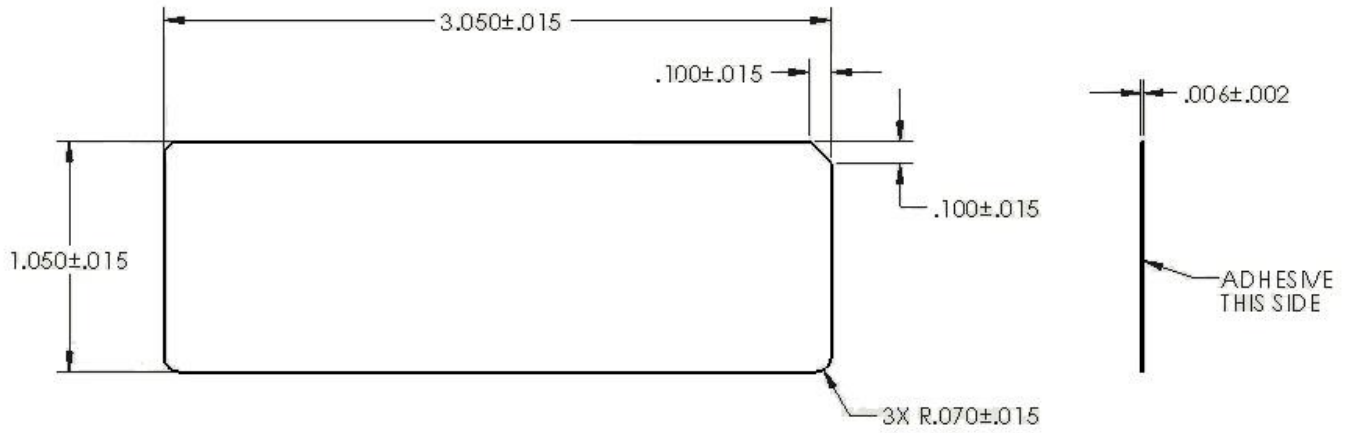
LEDs
G | R |

FAST BLINK: Non-Certif
SLOW BLINK: No Cellular
SOLID ON: Install Failed

S/N: SYY-PPWWXXX-LLL



Label Dimension and Tolerance



LABEL ROLL REFERENCE DATA