

# NEWTON S-Label Datasheet

## NEWTON S-Label (Electronic Label System)

### REV1.0

(PMN :NEWTON S-Label )

(FVIN : VISION\_ 0.1)

SoluM

2020-02-25

### Summary

This datasheet presents the general performance and specifications of NEWTON S-Label for ESL (Electronic Shelf Label) System.

*© Solu-M. All rights reserved*

*The names of actual companies and products mentioned herein may be the trademarks of their respective owners.*

*No part of this document may be reproduced, stored in a retrieval system, or transmitted in any form or by any means without the express written consent of Solu-M*

**This document is subject to change without notice.**

# Table of Contents

<b>1 GENERAL DESCRIPTION.....</b>	<b>4</b>
1.1 FEATURES.....	5
1.2 TYPICALAPPLICATIONS.....	5
1.3 APPEARANCE.....	5
<b>2 SPECIFICATION .....</b>	<b>6</b>
2.1 PRODUCTSPECIFICATION.....	6
2.2 RADIO(RF) SPECIFICATION.....	7
2.3 NFC SPECIFICATION.....	7
2.4 MECHANICALDRAWIN.....	8
2.5 LABELMARKING.....	12
<b>3 OPERATION TEST.....</b>	<b>오류! 책갈피가 정의되어 있지 않습니다.</b>
<b>4 PACKAGING .....</b>	<b>14</b>
<b>5 CAUTIONS FOR TREATMENT.....</b>	<b>15</b>
5.1 USAGEENVIRONMENT.....	15
5.2 STORAGE ANDUSE.....	15
5.3 BATTERYREPLACEMENT.....	16
5.4 FCC .....	18

# Document History

<b>Rev.</b>	<b>Date</b>	<b>Revision History</b>	<b>Page</b>
1.0	25 FEB 2020	Initial release	-
2.0	23 JULY 2020	Add 1.3" Tag	-

## 2.4 Mechanical Drawin

### 2.4.1 Case Dimension

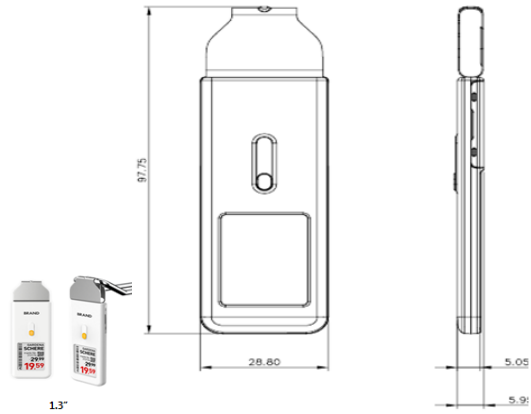


Figure 3. 1.3" Mechanical Dimension

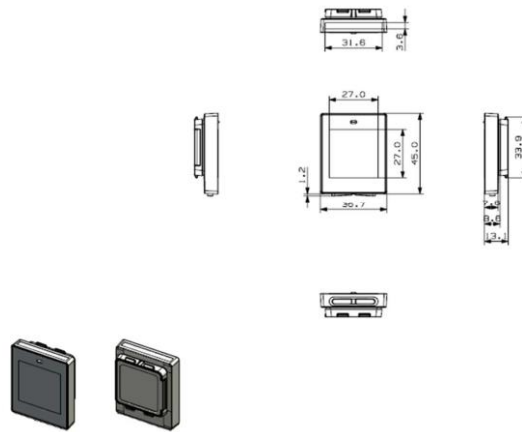


Figure 3. 1.6" Mechanical Dimension

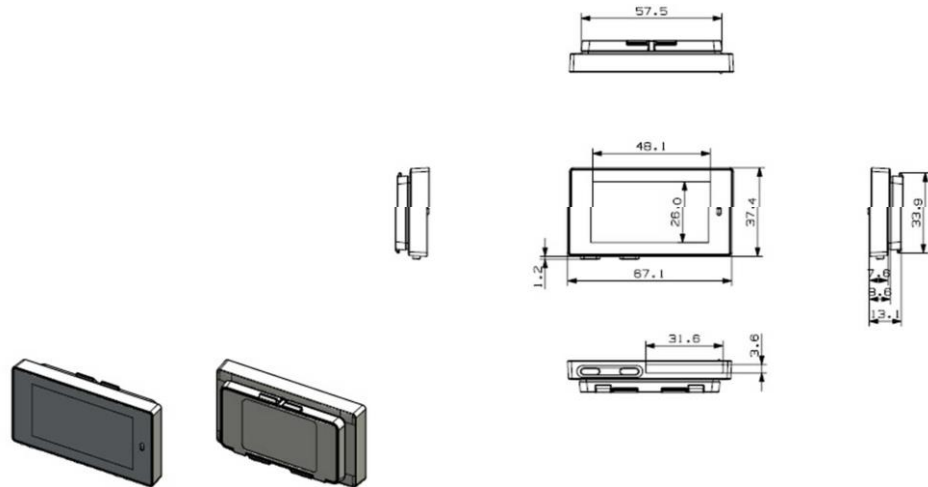


Figure 4. 2.2" Mechanical Dimension

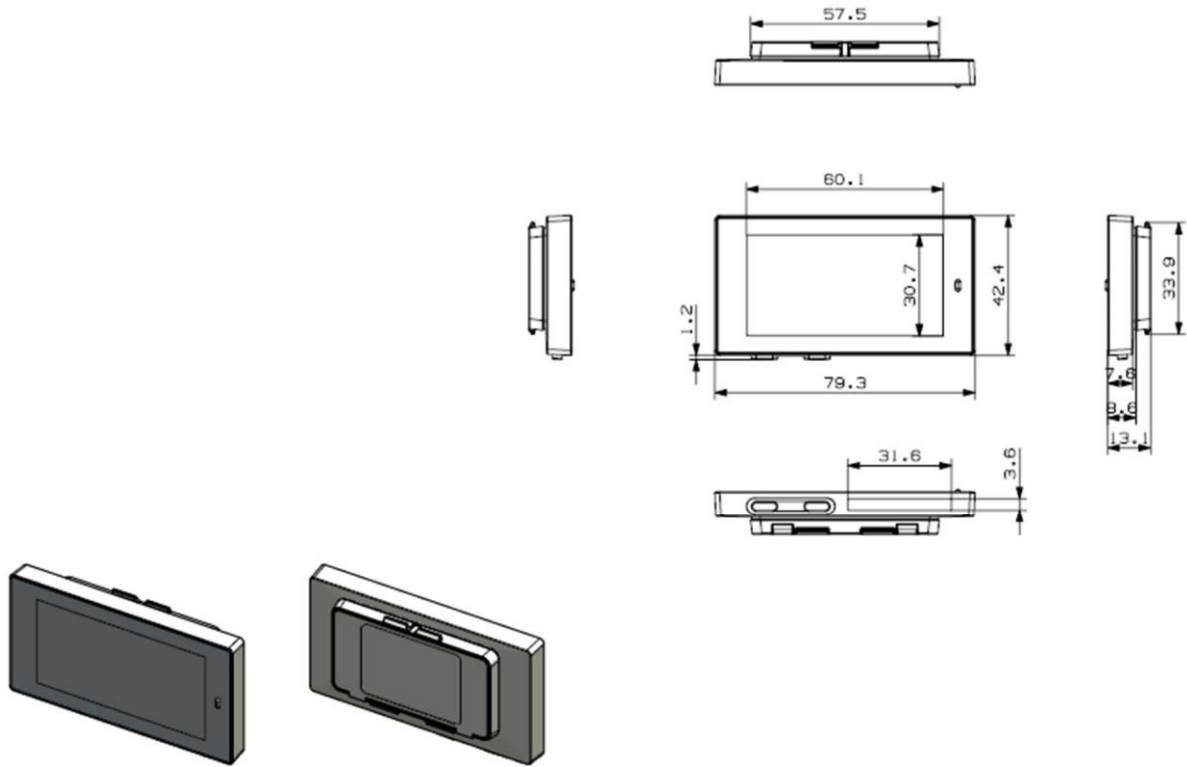


Figure 5. 2.6" Mechanical Dimension

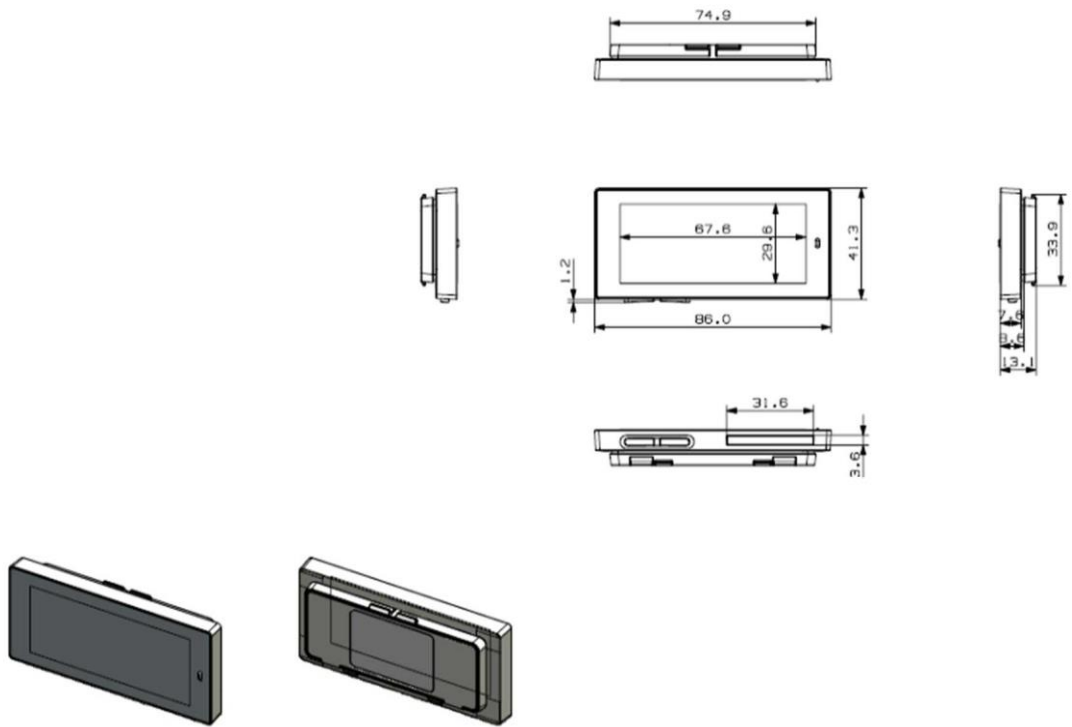
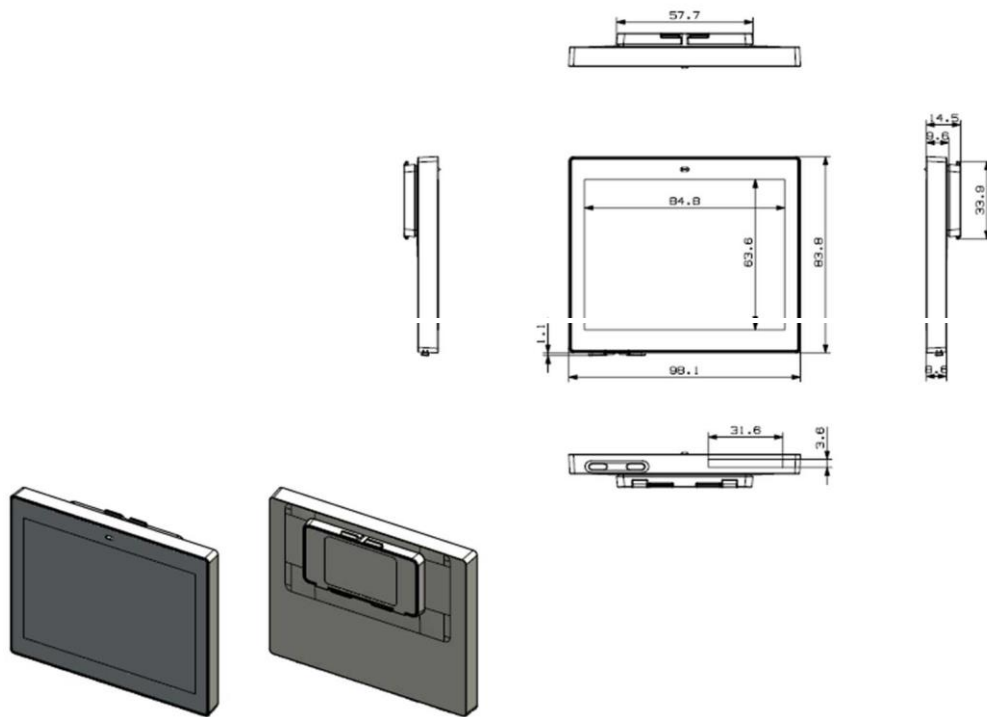
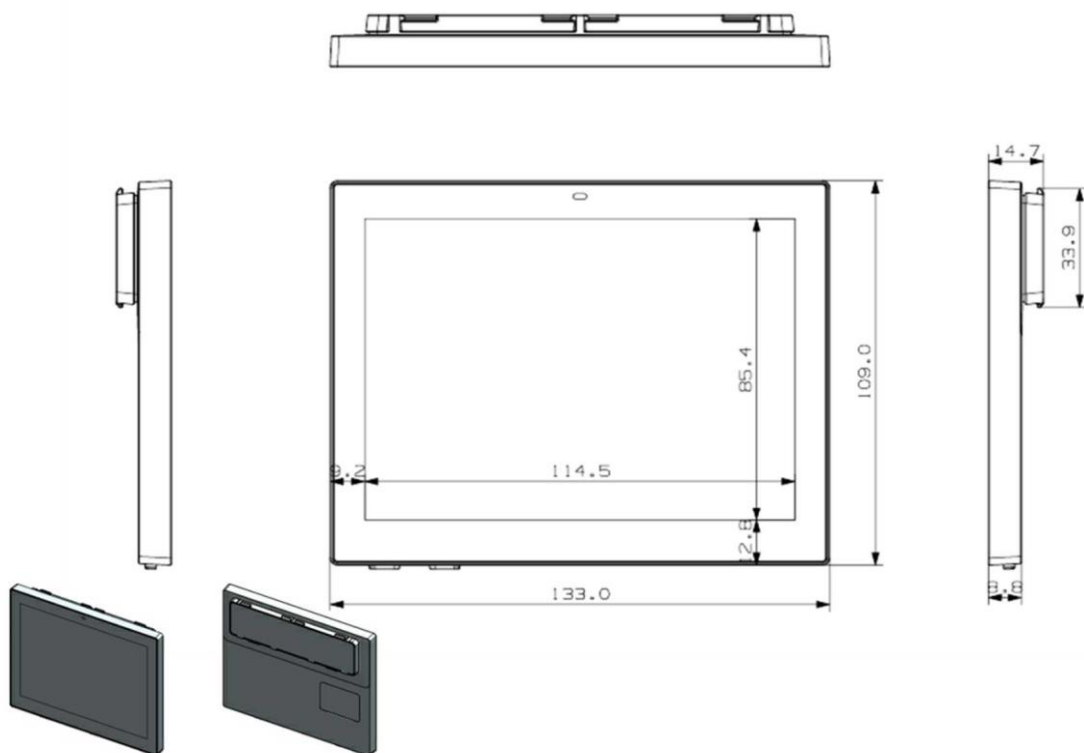


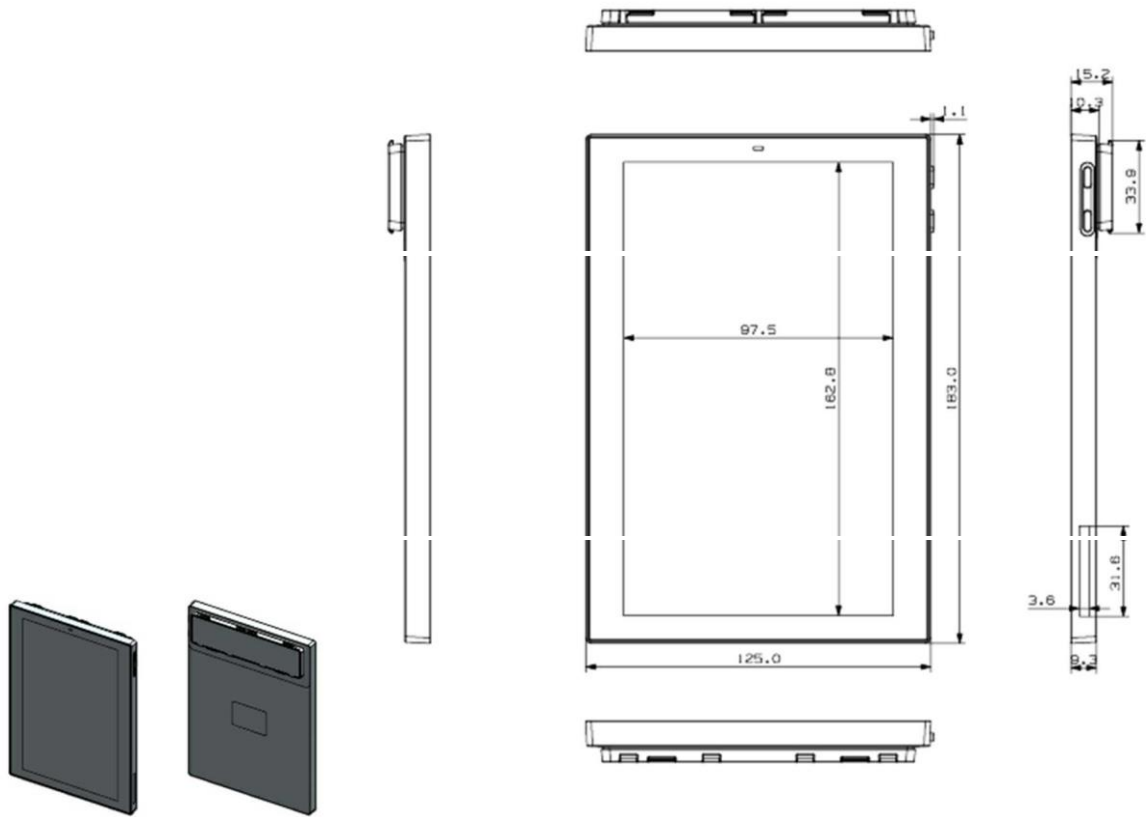
Figure 6. 2.9" Mechanical Dimension



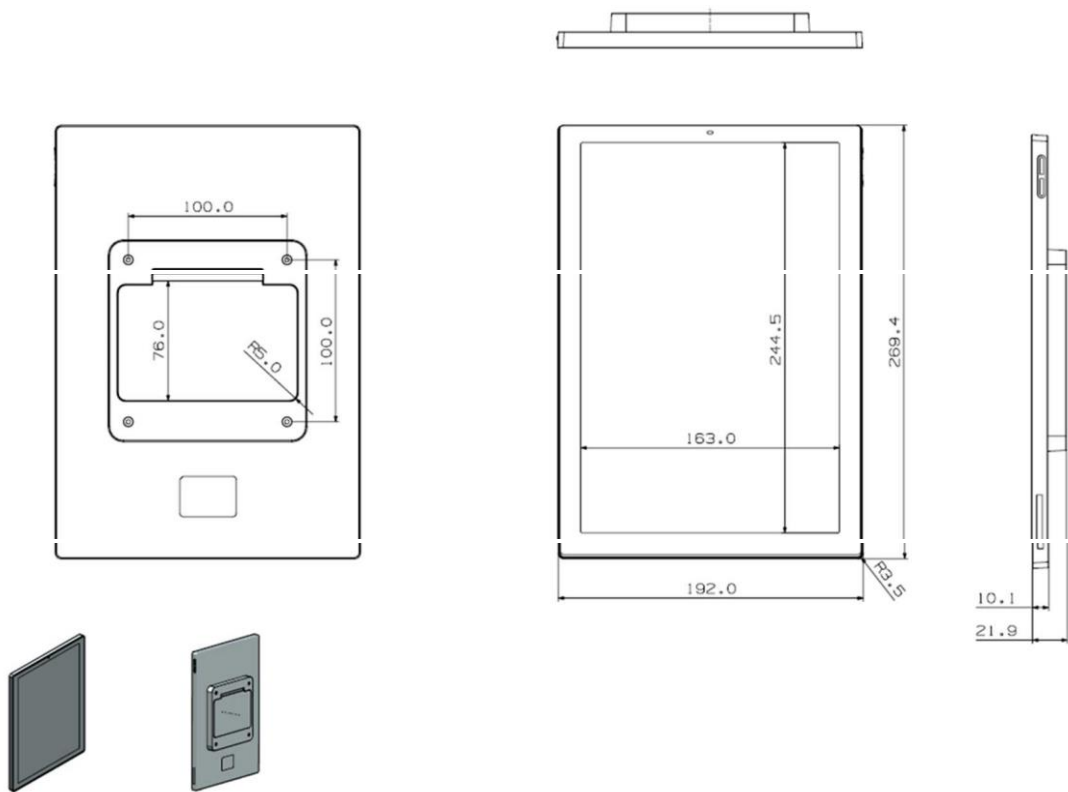
**Figure 7. 4.2" Mechanical Dimension**



**Figure 8. 6.0" Mechanical Dimension**



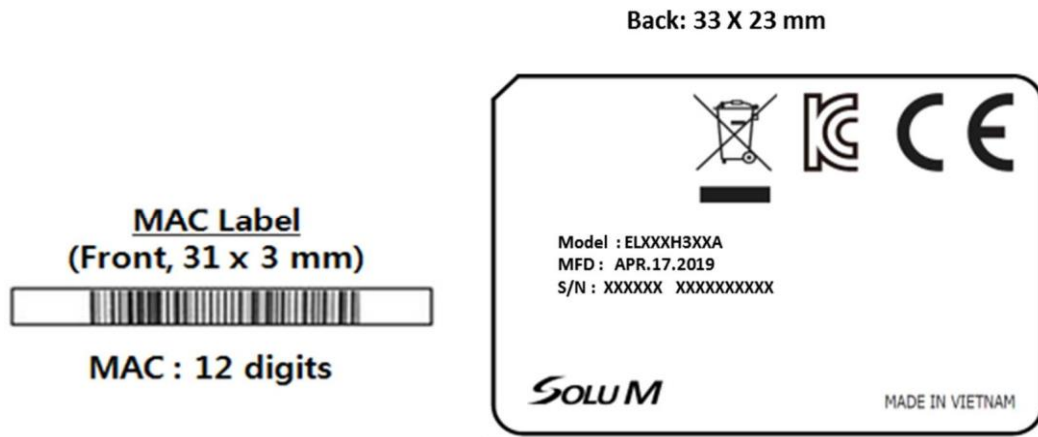
**Figure 9. 7.5" Mechanical Dimension**



**Figure 10 11.6" Mechanical Dimension**

## 2.5 Label Marking

### 2.5.1 MAC Label



**Figure 7. Product and MAC Labels**

Product information is indicated on the sticker label of the S-Labels. The information consists of MODEL (model name), MFD (manufacturing date), S/N (serial number), MAC (MAC address), CE certification mark, FCC ID and Manufacturer (SoluM).

1) Model Name : EL-①②③H3④⑤⑥(i.e. EL016H3WRA)

- TG: TAG

-① ② ③: Tag Display size

016=1.6”

029=2.9”

.

-④: Tag Case Color

W - WHITE

B - BLACK

.

-⑤ Tag Display-Color

M - Mono Tag (BW)

R - Red Color Tag (BWR)

Y - Yellow Color (BWY)

.

-⑥: Tag Type ( NFC, LED, etc)



	Red Color Label (BWR)		Yellow Color Label (BWY)	
	WHITE	BLACK	WHITE	BLACK
1.3"	EL013H2WRD	EL013H2BRD	EL013H2WYD	EL013H2BYD
1.6"	EL016H3WRA	EL016H3BRA	EL016H3WYA	EL016H3BYA
2.2"	EL022H3WRA	EL022H3BRA	EL022H3WYA	EL022H3BYA
2.6"	EL026H3WRA	EL026H3BRA	EL026H3WYA	EL026H3BYA
2.9"	EL029H3WRA	EL029H3BRA	EL029H3WYA	EL029H3BYA
4.2"	EL042H3WRA	EL042H3BRA	EL042H3WYA	EL042H3BYA
6.0"	EL060H3WRA	EL060H3BRA	EL060H3WYA	EL060H3BYA
7.5"	EL075H3WRA	EL075H3BRA	EL075H3WYA	EL075H3BYA
11.6"	EL116H3WRA	EL116H3BRA	EL116H3WYA	EL116H3BYA

2) MFD: (Month).(Date).(Year) i.e. JAN.26.2020

3) S/N: Serial Number Information (See Section 2.5.1)

# 3 Packaging

TAG	PET-TRAY(EA)	OUT_BOX(EA)	PALLET (EA)
1.6	90	270	10,800
2.2	50	150	6,000
2.9	40	80	4,480

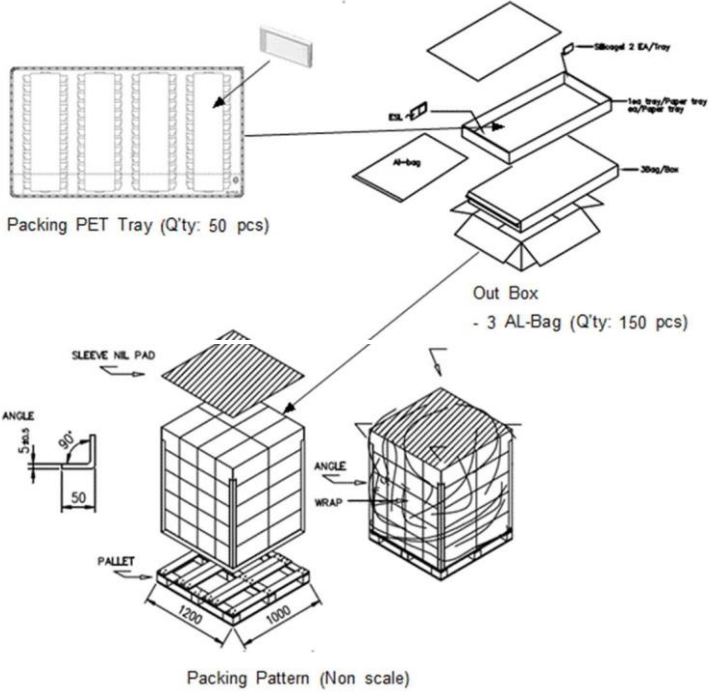


Figure 19.” Package

## 4Cautions for Treatment

Provisions should be made to protect against any damage to the product caused by improper handling. The purchaser assumes any responsibility for damage to the product caused by improper handling.

It is highly recommended that the product should be installed within 3 months from the date of arrival in the logistics hub. Recommended storage condition is -20~40 Celsius degree, 35-60% RH environment.

### 4.1Usage Environment

Take extra cautions when using this RF device in the vicinity of other electronic devices and appliances. Most electronic devices and appliances use electromagnetic waves. Electromagnetic waves emitted by this RF device can affect other electronic devices and appliances.

If using the device in an explosion hazard area, follow all safety regulations, instructions, and signals.

### 4.2Storage and Use

Moisture and liquids can damage internal parts and circuit boards if allowed to enter into the device itself.

Do not place or store the product on a sloped surface. The product may slide and fall off the surface and damaged.

Use the product in temperatures ranging from 0°Cto +30°C. Parts and circuits may be damaged if operating or stored in extreme temperature.

The display panel needs extra care when handling.

- Do not apply any impacts on the e-Paper display as it is fragile.
- Continuous exposure to excessive moisture (over 60% RH) or UV shortens display lifetime.
- Ghosting image may appear in temperature conditions of less than 15 Celsius degree.

Avoid areas with strong magnetism or subject to magnetism.

Contact between the device and a magnetic object can lead to malfunctions.

Do not place the product near heat-producing kitchen appliances like a stove or a microwave or in the vicinity of highly pressurized containers.

External impact to the product, such as from being dropped, can damage the product.

Twisting and bending the product can damage the exterior casing and the internal components.

If this product operates abnormally while removing battery or replacing battery, the product should be discharged by contacting the battery terminals (+) and (-) in the product.

This product uses 2.4GHz frequency band for wireless communication network. Radio communications can be limited or affected by other applications that share the same frequency band, such as WiFi, Bluetooth, Zigbee, etc.

Frequent communications, updates and screen renewals may reduce battery life time.

Low temperature environments may reduce battery life.

## 4.3 Battery Replacement

### Audience

- Authorized persons with the following knowledge are allowed to replace the battery:

Battery / Electronic assemblies like circuit board / Compliance of the instruction

※Note: Warranty is voided if battery is replacement by unauthorized personnel.

(When replacing batteries, please contact authorized person)

### Instructions

- Risk of short circuit if battery is incorrectly installed/stored.
- Check that your hands are dry before and at all times during the replacement process.
- Keep batteries away from children and infants.
- Do not heat, charge, bend, drop, short-circuit and/or disassemble battery.
- Do not mix used and new battery together or different battery types.

※Note: Battery rarely has minor stain or leak.

### Steps

- ① Open the battery cover.
- ② Take out the batteries.
- ③ Put in the new batteries.
- ④ Check the batteries direction.
- ⑤ Put the battery cover back.

## Battery Directional

Top: (+) Positive  
Bottom: (-) Negative



**Figure 21. Battery Directional**

## 4.4 FCC

**WARNING:** This equipment may generate or use radio frequency energy. Changes or modifications to this equipment may cause harmful interference unless the modifications are expressly approved in the instruction manual. The user could lose the authority to operate this equipment if an unauthorized change or modification is made.

This device complies with part 15 of the FCC Rules. Operation is subject to the following two conditions: (1) This device may not cause harmful interference, and (2) this device must accept any interference received, including interference that may cause undesired operation.

**NOTE:** This equipment has been tested and found to comply with the limits for a Class B digital device, pursuant to part 15 of the FCC Rules. These limits are designed to provide reasonable protection against harmful interference in a residential installation. This equipment generates, uses and can radiate radio frequency energy and, if not installed and used in accordance with the instructions, may cause harmful interference to radio communications. However, there is no guarantee that interference will not occur in a particular installation. If this equipment does cause harmful interference to radio or television reception, which can be determined by turning the equipment off and on, the user is encouraged to try to correct the interference by one or more of the following measures:

- Reorient or relocate the receiving antenna.
- Increase the separation between the equipment and receiver.
- Connect the equipment into an outlet on a circuit different from that to which the receiver is connected.
- Consult the dealer or an experienced radio/TV technician for help.

### **[ISED]**

#### IC Information to User

This device complies with Industry Canada's licence-exempt RSSs. Operation is subject to the following two conditions:

(1) This device may not cause interference; and (2) This device must accept any interference, including interference that may cause undesired operation of the device

Le présent appareil est conforme aux CNR d'Industrie Canada applicables aux appareils radio exempts de licence. L'exploitation est autorisée aux deux conditions suivantes :

(1) l'appareil ne doit pas produire de brouillage, et (2) l'utilisateur de l'appareil doit accepter tout brouillage radioélectrique subi, même si le brouillage est susceptible d'en compromettre le fonctionnement.