

120mm±2mm

170mm±2mm

# GL·iNet

# USER GUIDE

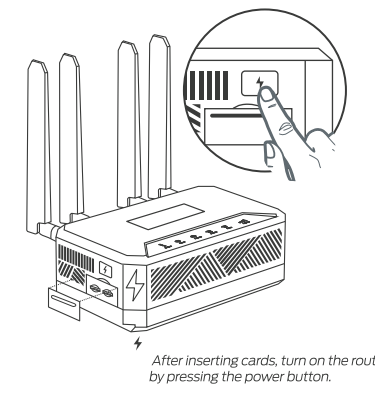
## XE2000

DUAL-SIM WI-FI 6 ROUTER

### SETTING UP

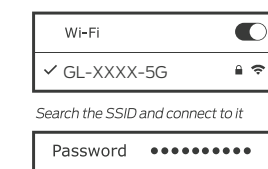
#### 1 Insert Cards & Power On

Connect your router to a power supply. Your router will broadcast both 2.4G and 5G Wi-Fi signal with the SSID: GL-XXXX and GL-XXXX-5G

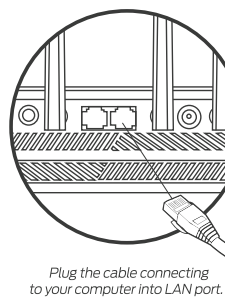


#### 2 Connect via Wi-Fi

Connect to the Wi-Fi called GL-XXXX-5G, and input the default Wi-Fi password (last 8 numbers of the serial number - labeled "SN" on the bottom label of the router).

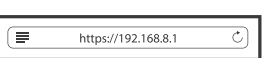


#### Connect via LAN

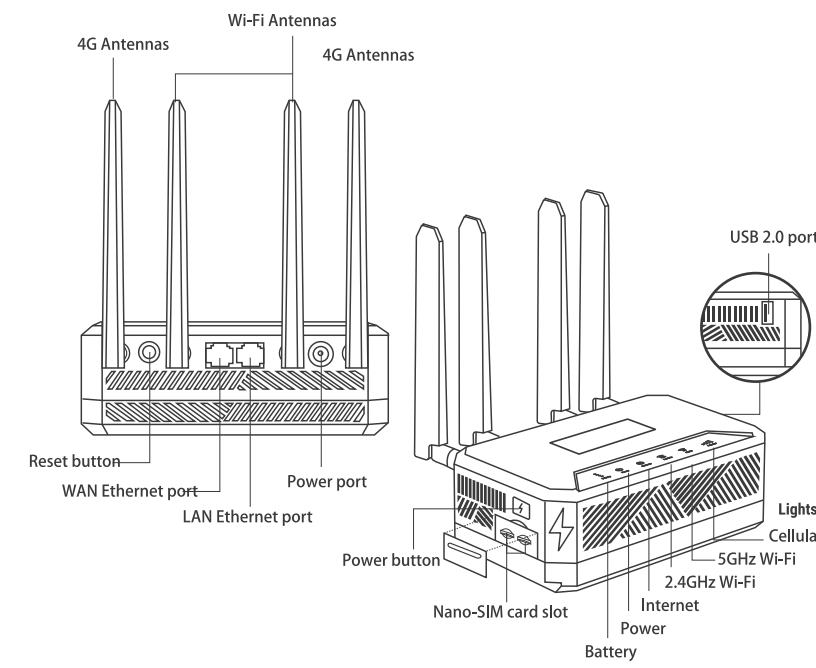


#### 3 Set Up Router

While connected to the XE2000, visit <https://192.168.8.1> in your browser to set up your router, start by choosing your preferred language.



### SUPPORT



#### Repair / Reset

If you cannot access the web-based set up page or connect to the router, you can press the reset button.

- To repair your network: Press and hold the Reset button for 3 seconds.
- To reset your router to factory settings: Press and hold the Reset button for 10 seconds. (Note: This clears all your existing settings.)

#### Technical Support

For more detailed and updated instructions, please visit our website [docs.glinet.com](https://docs.glinet.com)  
 For further questions, you can get help from the following ways:  
 - Email to [support@glinet.com](mailto:support@glinet.com)  
 - Message us on our Facebook: [facebook.com/glinet.wifi/](https://www.facebook.com/glinet.wifi/)  
 - Post questions in our forum: [forum.glinet.com](https://forum.glinet.com)  
 - Ask professionals in other forums e.g. OpenWrt, LEDE or other professional websites

### WARRANTY

- We provide one year limited warranty for routers and 3-month limited warranty for accessories. Extra warranty may apply according to the local law in which the product purchase took place.
  - Highly recommend using the included 12V/2.5A power adapter.
  - Any damage to the router caused by not following the instructions will render this warranty null and void.
  - Any damage to the router caused by modifying the PCB, components or case will render this warranty null and void.
  - Issues caused by the use of third party firmwares may not get official support from us.
  - Any damage to the router caused by inappropriate use, e.g., inappropriate voltage input, high temperature, dropping in the water or on the ground will render this warranty null and void.
  - Pictures on the instructions are only for reference. We reserve the right to change or modify these materials without further notice.
  - Operation temperature: 0 ~ 40°C | Storage Temperature: -20 ~ 45°C | Humidity: 5% ~ 95%, non-condensing | Storage Humidity: 5% ~ 95%, non-condensing.
- Please follow the below guidelines for daily use:**
- Disposal of the device with battery into fire or a hot oven, or mechanically crushing or cutting of a battery, that can result in an explosion.
  - Please don't charge the battery if the environment exceed the device operation temperature. Leaving the device in an extremely high temperature surrounding environment that can result in an explosion or the leakage of flammable liquid or gas.
  - A battery subjected to extremely low air pressure that may result in an explosion or the leakage of flammable liquid or gas.
  - If the device with the battery is stored for more than 3 months, the battery needs to be charged to ensure the battery life.
  - If the device is accidentally dropped on the ground, causing problems such as damage to the casing, it may also cause damage to the battery, please contact the device seller for repair or replacement in time.
  - If the device is off, press the power button before charging. If the battery indicator flashes, it is safe to charge. If not, avoid charging as this may indicate a damaged battery and could pose safety risks. Should you encounter this issue, please reach out to the device's seller for support.

**FCC ID: 2AFTW-XE2000**

1. This device complies with Part 15 of the FCC Rules. Operation is subject to the following two:  
 (1) This device may not cause harmful interference, and  
 (2) This device must accept any interference received, including interference that may cause undesired operation.

2. Changes or modifications not expressly approved by the party responsible for compliance could void the user's authority to operate the equipment.

3. Note: This equipment has been tested and found to comply with the limits for a Class B digital device, pursuant to part 15 of the FCC Rules. These limits are designed to provide reasonable protection against harmful interference in a residential installation. This equipment generates uses and can radiate radio frequency energy and, if not installed and used in accordance with the instructions, may cause harmful interference to radio communications. However, there is no guarantee that interference will not occur in a particular installation. If this equipment does cause harmful interference to radio or television reception, which can be determined by turning the equipment off and on, the user is encouraged to try to correct the interference by one or more of the following measures:

- Reorient or relocate the receiving antenna.
- Increase the separation between the equipment and receiver.
- Connect the equipment into an outlet on a circuit different from that to which the receiver is connected.
- Consult the dealer or an experienced radio/TV technician for help.

**FCC SAR Statement**

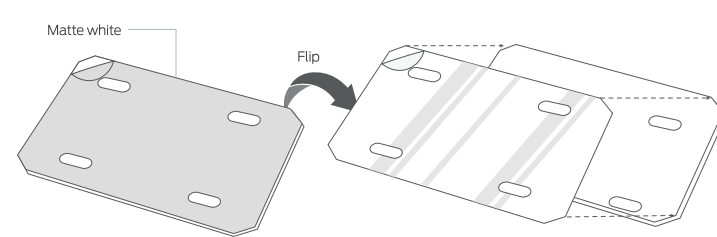
This equipment complies with FCC radiation exposure limits set forth for an uncontrolled environment. End user must follow the specific operating instructions for satisfying RF exposure compliance. This transmitter must not be co-located or operating in conjunction with any other antenna or transmitter. The portable device is designed to meet the requirements for exposure to radio waves established by the Federal Communications Commission (FCC). These requirements set a SAR limit of 4 W/kg averaged over ten gram of tissue. The highest SAR value reported under this standard during product certification for use when properly worn on the limbs was 15w.

**GL Technology (Hong Kong) Limited**  
 Unit 601, Building 8K, Hong Kong Science Park, Shatin, N.T., Hong Kong  
 ver. 20240923

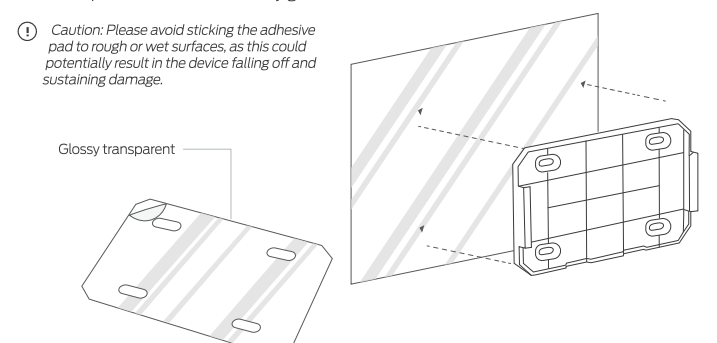
### INSTALLATION

#### Adhesive Mount

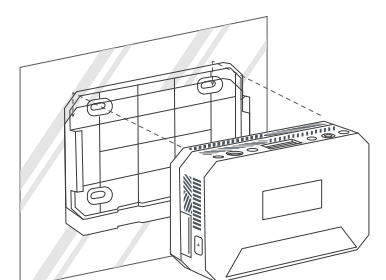
##### 1 Peel off the matte white film and then attach the adhesive pad to the wall mount permanently.



##### 2 Peel off the glossy transparent film and then stick the adhesive pad onto a clean and dry glass surface.

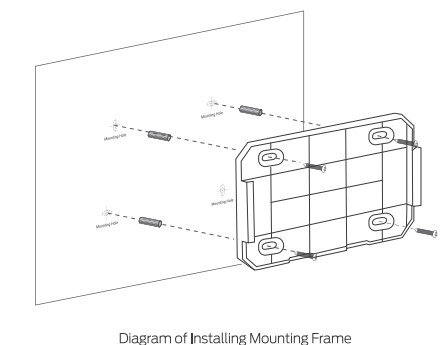


##### 3 Attach the router to the wall mount.

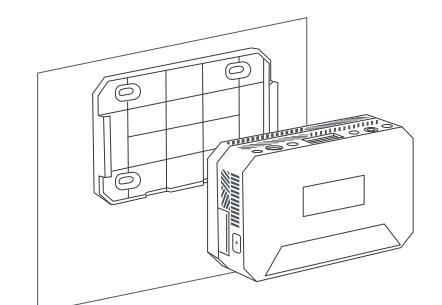


#### Screw Fixed Mount

##### 1 Align the wall mount to the wall. Secure 4 screws through the wall mount holes into the wall.



##### 2 Attach the router to the wall mount.



⚠ Please maintain a minimum distance of 20cm from the human body when using the product.

<b>GL·iNet</b> 深圳市广联智通科技有限公司	
产品名称	xe2000说明书
物料编码	
单位/比例	mm/1:1
尺寸	120*170mm(±1mm)
材质	128g铜版纸/彩色印刷/折页+哑胶/
日期	ver.20240923