

INSTRUCTION MANUAL
BLUETOOTH ENTERTAINMENT SYSTEM

MODEL: KP633ABT
: PARTY SYSTEM 3100



IMPORTANT: Please read before using and keep for future reference.

IMPORTANT NOTES

INTRODUCTION

- Thank you for buying this product.
- Please read through these operating instructions, so you will know how to operate your equipment properly. After you finished reading the instructions manual, put it in a safe place for future reference.

CAUTION

TO REDUCE THE RISK OF ELECTRIC SHOCK, DO NOT REMOVE THE COVER (OR BACK). DO NOT OPEN THE UNIT. FOR SERVICE, PLEASE REFER TO QUALIFIED SERVICE PERSONNEL.

- The apparatus shall not be exposed to dripping or splashing and that no objects filled with liquids, such as vases, shall be placed on the apparatus.
- Minimum distances 30 cm around the apparatus for sufficient ventilation.
- The ventilation should not be impeded by covering the ventilation openings with items, such as newspapers, table-cloths, curtains, etc.
- No naked flame sources, such as lighted candles, should be placed on the apparatus.
- When the mains plug or an appliance coupler is used as the disconnect device, the disconnect device shall remain readily operable.
To be completely disconnected the power input, the mains plug of apparatus shall be disconnected from the mains completely.
- The main plug of apparatus should not be obstructed or should be easily accessed during intended use.

FCC Notice:

NOTE: This equipment has been tested and found to comply with the limits for a Class B digital device, pursuant to Part 15 of the FCC Rules. These limits are designed to provide reasonable protection against harmful interference in a residential installation. This equipment generates uses and can radiate radio frequency energy and, if not installed and used in accordance with the instructions, may cause harmful interference to radio communications. However, there is no guarantee that interference will not occur in a particular installation. If this equipment does cause harmful interference to radio or television reception, which can be determined by turning the equipment off and on, the user is encouraged to try to correct the interference by one or more of the following measures:

- Reorient or relocate the receiving antenna.
- Increase the separation between the equipment and receiver.
- Connect the equipment into an outlet on a circuit different from that to which the receiver is connected.
- Consult the dealer or an experienced radio/TV technician for help.

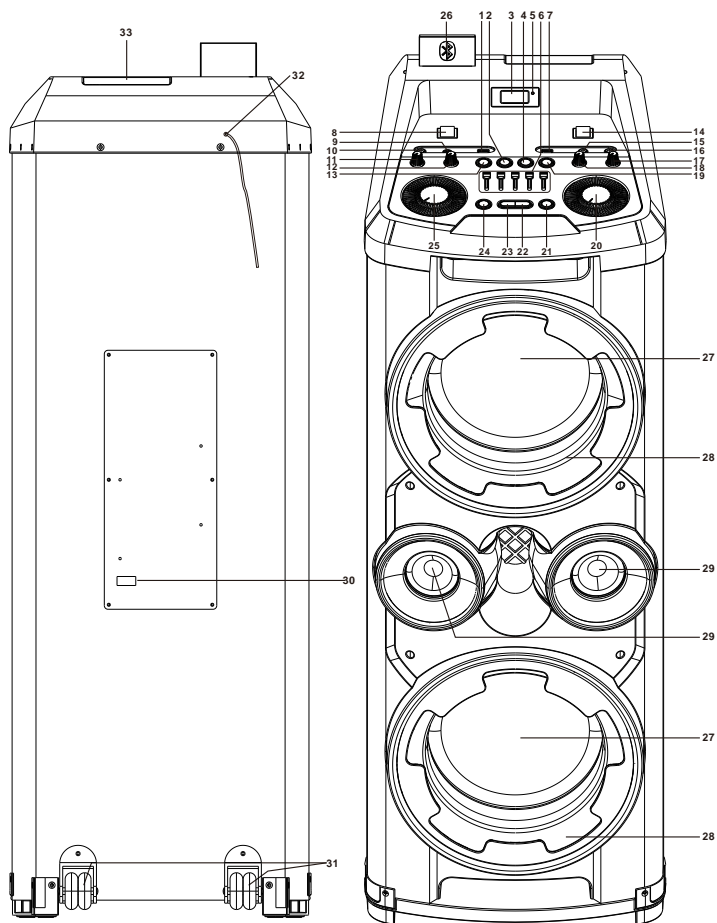
WARNING: Changes or modifications not expressly approved by the party responsible for compliance could void the user's authority to operate the equipment.

This equipment complied with FCC radiation exposure limits set forth for an uncontrolled environment. This equipment should be installed and operated with minimum distance 20cm between the radiator & your body.

NAMES OF CONTROLS

1. USB Port-1
2. Previous/Fast Backward/TUN.- Button
3. Display
4. Play/Pause/Pair/Scan Button
5. Power Indicator
6. EQ Controls
7. USB Port-2
8. On/Off Switch
9. 3.5 mm AUX IN Jack
10. 6.3mm GUITAR Jack
11. TREBLE Knob
12. BASS Knob
13. P-MODE/MEM. Button
14. BASS On/Off Switch
15. 6.3mm MIC Jack 1
16. 6.3mm MIC Jack 2
17. MIC. VOLUME Knob
18. ECHO MIC. Knob
19. Next/Fast Forward/TUN.+ Button
20. VOLUME Knob
21. Function Button
22. FOLD./10/MEM. + Button
23. FOLD./10/MEM. - Button
24. Disco/Light Button
25. GUITAR Volume Knob
26. Bluetooth Indicator
27. Speakers
28. LED Light Cover
29. Tweeters
30. AC Socket
31. Wheels
32. FM wire Antenna
33. Disco light

LOCATION OF CONTROLS



POWER SOURCE

This unit works with direct AC.

BASIC FUNCTION

TURNING THE UNIT ON/OFF

After connecting the power, switch the power **ON/OFF** button on the top cabinet to turn the unit ON/OFF.

Note: If you don't use the unit for a long time, switch the power ON/OFF button on the top cabinet to cut off the AC power supply or disconnect the AC power cord from the household wall outlets.

SETTING THE FUNCTION MODE

To change the function modes, press the **FUNCTION** button to choose USB1/USB2/BLUETOOTH/AUX/RADIO function.

ADJUSTING THE VOLUME

1. Rotate the **VOLUME** knob on the unit to increase or decrease the music volume.
2. Rotate the **GUITAR VOL.** knob on the unit to increase or decrease the guitar volume.
3. Rotate the **MIC VOL.** knob on the unit to increase or decrease the microphone volume.

EQUALIZER (EQ) FUNCTION

This unit has a built-in equalizer system, adjust the **EQ** bar by five frequencies (100Hz, 330Hz, 1KHz, 3.3KHz, 10KHz) on unit to select a setting that best matches the music style.

BASS ADJUSTMENT

Rotate the **BASS** knob on unit to increase or decrease the bass effect that best matches the music style.

SUPER BASS: switch the **BASS** button on to increase to double bass effect.

TREBLE ADJUSTMENT

Rotate the **TREBLE** knob on unit to increase or decrease the treble effect that best matches the music style.

MICROPHONE ECHO ADJUSTMENT

Rotate the **ECHO MIC** knob on unit to increase or decrease the microphone echo effect that best matches the style.

Disco Light

There's a disco light on top of the unit with multi-color flashing to the music beat for party time. To disable the disco light, press and hold the **DISCO/LIGHT** button on unit. To activate the disco light, press and hold the **DISCO/LIGHT** button again.

Blue LED Light

There's blue LED light around the speakers with different modes selection. Default mode is blue light turn on steadily, press the **DISCO/LIGHT** button once to change to flashing mode, press the **DISCO/LIGHT** button twice to turn off the blue light.

USB OPERATION

This unit provides two USB port for music playback.

1. Press the **FUNCTION** button on unit to select "USB1" or "USB2" mode.
2. Connect the USB memory stick to the USB port found on the front of the unit. Playback will start automatically from Track 1.
3. To pause playback, press the **PLAY/PAUSE/PAIR/SCAN** button on unit. The current track No. and play time will show on the display.
4. To resume playback, press the **PLAY/PAUSE/PAIR/SCAN** button again.

5. To select a desired track, press the **▶▶/TUN+** or **◀◀/TUN-** button respectively during playing until the desired track appears on the display. The unit will start play automatically.
6. To search for a particular passage during playback, press and hold the **▶▶/TUN+** or **◀◀/TUN-** button to scan the current playing track at high speed until desired point (passage) appears, then release the button for normal playback mode.
7. To select a song which track number exceeds 10, press the **FOLD./10/MEM+** or **FOLD./10/MEM-** button each time to skip forward/backward 10 tracks, then press the **▶▶/TUN+** or **◀◀/TUN-** button to select desired track.
8. To select a desired folder (if the USB contains more than one folder), press and hold the **FOLD./10/MEM+** or **FOLD./10/MEM-** button each time to skip forward/backward a folder, then press the **▶▶/TUN+** or **◀◀/TUN-** button to select desired track.

Important: The USB port is intended for data transfer only, other devices cannot be used with this USB connection. The use of USB extension cords is not recommended.

REPEAT PLAY

You can play one track or all tracks on the USB repeatedly.

To repeat a Single Track

1. Press **P-MODE/MEM.** button on unit during play, the display will show a “C” logo and the current track will be played over and over again till you press the **PALY/PAUSE/PAIR/SCAN** button on unit.
2. To cancel repeat play, press **P-MODE/MEM.** button on unit until “C” logo disappears from the display.

To repeat all the Tracks

1. Press **P-MODE/MEM.** button on unit until the “C_{ALL}” logo shows steadily on the display, all tracks on the USB will be played over and over again till you press the **PALY/PAUSE/PAIR/SCAN** button on unit.
2. To cancel repeat play, press the **P-MODE/MEM.** button on unit until “C_{ALL}” logo disappears from the display.

To repeat the folder (only for USB which contains more than one folder)

1. Press the **P-MODE/MEM.** button on unit until “C_{DIR}” logo show steadily on the display, the current folder will be repeated over and over again till you press the **PALY/PAUSE/PAIR/SCAN** button on unit.
2. To cancel repeat play, press the **P-MODE/MEM.** button on unit until “C_{DIR}” logo disappears from the display.

RANDOM PLAY

Press the **P-MODE/MEM.** button on unit in play mode till the “**RAND**” shows steadily on the display, the random play will start from next track automatically, until all tracks are played over and then it will stop. Press the **P-MODE/MEM.** button on unit again until the “**RAND**” disappears from the display to cancel.

RADIO OPERATION

TUNING RADIO STATIONS

1. Press the **FUNCTION** button on unit to select the radio mode: FM mode.
2. Tune to desired station by pressing **▶▶/TUN+** or **◀◀/TUN-** button, the display will show the band frequency. Example: **FM 97.10** MHz.
3. Rotate the **VOLUME** knob on unit to increase or decrease volume.
4. Extend Pig Tail Antenna to its full length and gently move the unit back and forth to get the best reception, or place the unit in an open location.

5. To turn off the radio, press the **FUNCTION** button to switch to other functions or switch off the unit.

AUTO PRESET MEMORY / SCAN

To search for and automatically save stations to preset memory, press and hold the **PLAY/PAUSE/PAIR/SCAN** button. Any station with a strong enough signal will be saved to preset memory. After the unit finishes scanning, the unit will automatically tune to preset station number 1 (P01). To tune to the next or previous preset station, press **FOLD/10/MEM +/-** button.

MANUAL PRESET MEMORY OPERATION

You may pre-store 30 radio stations in memory for your preference.

1. Press **▶▶/TUN+** or **◀◀/TUN-** button to select the desired station that you want to save as a preset.
2. Press the **P-MODE/MEM.** button on unit, "P01" will flash on the display to indicate that you are saving the station as preset memory 01, to change the preset memory sequence, press the **FOLD/10/MEM +/-** button on unit, then press **P-MODE/MEM.** button again to enter.
3. Search another station, repeat steps (1) & (2) until all desired stations stored. Up to 30 FM stations can be programmed.
4. Press the **FOLD/10/MEM +/-** button to switch between the stored stations.

BLUETOOTH OPERATION

1. Press the **FUNCTION** button on unit to switch to BLUETOOTH function, the LCD will display "**BLUETOOTH**" and the acrylic transparent Bluetooth logo will flash at high speed.
2. Turn on the Bluetooth function on the device, scan the unit **KP633A** and connect, then input the password 0000 if required, the acrylic transparent Bluetooth logo keeps light up and the display will show "CONNECT" to indicate connection done. Press Play to start playback.
3. Rotate the **VOLUME** knob on the unit or adjust the volume on the external device to increase or decrease the music volume to your desired level.
4. Press and hold the **PLAY/PAUE/PAIR/SCAN** button to disconnect Bluetooth.

Note: The Bluetooth works best within 10 meters.

AUX-IN OPERATION

1. Press the **FUNCTION** button on unit to select "AUX" mode.
2. Connect your audio device to the AUX IN jack found on the front of the unit with an AUX IN cable.
3. Rotate the **VOLUME** knob on the unit or adjust the volume on the external device to increase or decrease the music volume to your desired level.
4. Control playback with your audio device.

MIC JACK OPERATION

Microphone input is available in all modes.

1. Connect your microphone to the 6.3mm **MIC jack** found on the front of the unit.
2. Rotate the **MIC VOL.** knob on the unit to increase or decrease the microphone volume.

GUITAR JACK OPERATION

Guitar input is available in all modes.

1. Connect your guitar to the 6.3mm **Guitar jack** found on the front of the unit.
2. Rotate the **GUITAR VOL.** knob on the unit to increase or decrease the guitar volume.

SPECIFICATIONS

GENERAL

Power Requirement.....	AC 100-240V~60/50Hz
Power consumption.....	600 W
Weight.....	28.5kg
Dimensions.....	466(L) x 402(D) x 1165 (H) mm
Operation temperature.....	+ 5°C – + 35° C

AUDIO SECTION

Power output.....	200W X 2
-------------------	----------

ACCESSORIES

Instruction Booklet.....	1
AC Cord.....	1

Note: Specifications are subject to change for continuous improvement without prior notice.