

6 Safety Human Exposure

6.1 Radio Frequency Exposure Compliance

6.1.1 Electromagnetic Fields

RESULT:
Pass

For WPT:

For FCC Part:

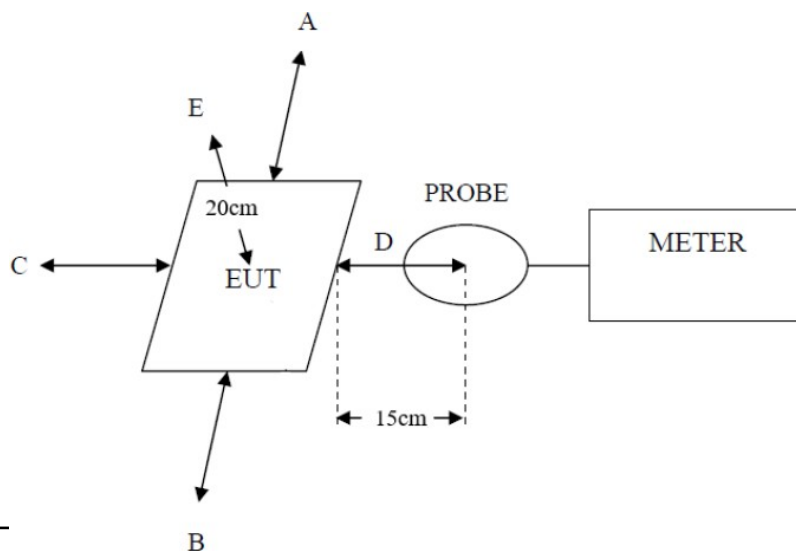
Test Specification

 Test standard : CFR47 FCC Part 2: Subpart J Section 1.1310
 : FCC CFR 47 Part 1(1.1310) KDB 680106 D01 v03

According to the table 1 of FCC Part 2.1310, the reference limit as below:

| Frequency range (MHz) | Electric field strength (V/m) | Magnetic field strength (A/m) | Power density (mW/cm ²) | Averaging time (minutes) |
|--|-------------------------------|-------------------------------|-------------------------------------|--------------------------|
| (A) Limits for Occupational/Controlled Exposure | | | | |
| 0.3-3.0 | 614 | 1.63 | *100 | 6 |
| 3.0-30 | 1842/f | 4.89/f | *900/f ² | 6 |
| 30-300 | 61.4 | 0.163 | 1.0 | 6 |
| 300-1,500 | | | f/300 | 6 |
| 1,500-100,000 | | | 5 | 6 |
| (B) Limits for General Population/Uncontrolled Exposure | | | | |
| 0.3-1.34 | 614 | 1.63 | *100 | 30 |
| 1.34-30 | 824/f | 2.19/f | *180/f ² | 30 |
| 30-300 | 27.5 | 0.073 | 0.2 | 30 |
| 300-1,500 | | | f/1500 | 30 |
| 1,500-100,000 | | | 1.0 | 30 |

f = frequency in MHz * = Plane-wave equivalent power density

Test Setup:


Test Result:

Table: H-Field Strength at 15 cm from the edges surrounding the EUT and 20cm from the top surface of the EUT

| EUT Test Mode | Measured H-Field Strength Values (A/m) | | | | | 50% Limit (A/m) | Limit (A/m) | Result |
|-------------------|--|-----------------|-----------------|-----------------|-----------------|-----------------|-------------|--------|
| | Test Position A | Test Position B | Test Position C | Test Position D | Test Position E | | | |
| 1% Battery Level | 0.7748 | 0.5736 | 0.7016 | 0.4024 | 0.6528 | 0.815 | 1.63 | Pass |
| 50% Battery Level | 0.7643 | 0.5731 | 0.6923 | 0.3971 | 0.6508 | 0.815 | 1.63 | Pass |
| 99% Battery Level | 0.7739 | 0.5453 | 0.7055 | 0.3998 | 0.6513 | 0.815 | 1.63 | Pass |