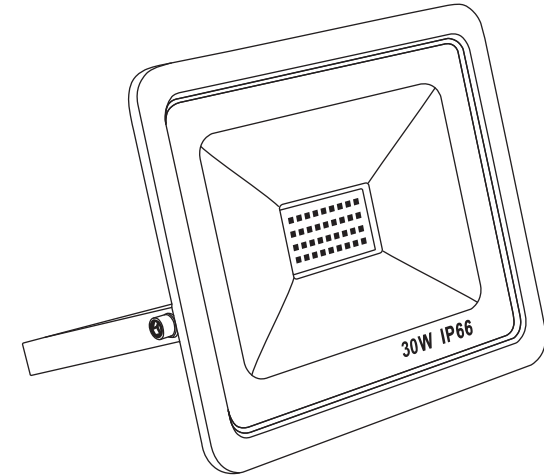




Item #1013295833
Model #25LE11055

USE AND CARE GUIDE

30-WATT MULTI-COLORED LED FLOODLIGHT



THANK YOU

We appreciate the trust and confidence you have placed in HOME ACCENTS HOLIDAY through the purchase of this 30-WATT MULTI-COLORED LED FLOODLIGHT. We strive to continually create quality products designed to enhance your home. Visit us online to see our full line of products available for your home improvement needs. Thank you for choosing HOME ACCENTS HOLIDAY!

Safety Information FOR INDOOR AND OUTDOOR USE

- READ AND FOLLOW ALL SAFETY INSTRUCTIONS. When using electric products, basic precautions should always be followed including the following:
- WARNING: When using outdoor use portable luminaires, basic safety precautions should always be followed to reduce the risk of fire, electric shock, and personal injury, including the following:
 - Use only three-wire outdoor extension cords that have three-prong grounding plugs and grounding receptacles that accept the appliance's plug.
 - Ground Fault Circuit Interrupter (GFCI) protection is to be provided on the circuit(s) or outlet(s) to be used for the wet location portable luminaire. Receptacles are available having built-in GFCI protection and are able to be used for this measure of safety.
 - Use only with an extension cord for outdoor use, such as an extension cord of cord type SEW, SEOW, SE00W, SOW, S00W, STW, STOW, ST00W, SJEW, SJEOW, SJE00W, SJW, SJOW, SJ00W, SJTW, SJTOW, or SJT00W.

This device complies with Part 15 of the FCC Rules. Operation is subject to the following two conditions: (1) this device may not cause harmful interference, and (2) this device must accept any interference received, including interference that may cause undesired operation. Please note that changes or modifications of this product is not expressly approved by the party responsible for compliance could void the user's authority to operate the equipment.

NOTE: This equipment has been tested and found to comply with the limits for a Class B digital device, pursuant to Part 15 of the FCC Rules. These limits are designed to provide reasonable protection against harmful interference in a residential installation. This equipment generates, uses and can radiate radio frequency energy and, if not installed and used in accordance with the instructions, may cause harmful interference to radio communications. However, there is no guarantee that interference will not occur in a particular installation. If this equipment does cause harmful interference to radio or television reception, which can be determined by turning the equipment off and on, the user is encouraged to try to correct the interference by one or more of the following measures:

- Reorient or relocate the receiving antenna.
- Increase the separation between the equipment and receiver.
- Connect the equipment into an outlet on a circuit different from that to which the receiver is connected.
- Consult the dealer or an experienced radio/TV technician for help

FCC RF Radiation Exposure Statement
This equipment complies with FCC radiation exposure limits set forth for an uncontrolled environment. End users must follow the specific operating instructions for satisfying the RF exposure compliance. This transmitter must not be co-located or operated in conjunction with any other antenna or transmitter.

Pre-Installation

BEFORE YOU BEGIN
If any part is missing or damaged, do not assemble this product. Contact Customer Service.

PLANNING INSTALLATION
Estimate installation time: 1 minute
Number of people required: 1

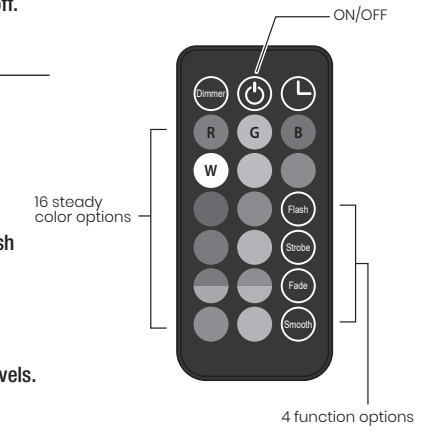
NO TOOLS REQUIRED

PACKAGE CONTENTS

| Part | Description |
|------|--|
| A | 1 Completely assembled Floodlight |
| B | 1 Remote control (2 x AAA batteries, not included) |

Remote Control

- When not in use, press the "OFF" button to power off.
- Timer**
- TIMER FEATURE:**
- Press the **ON** button, the Flood Light will flash Green 3 times – Indicating that the 6 hour "On" / 18 hour "Off" timer has now been activated.
 - Press the **ON** button again, the Flood Light will flash Red 3 times – Indicating that the 6 hour "On" / 18 hour "Off" timer has now been deactivated.
- DIMMER FEATURE:**
- Press the **Dimmer** button to select from 3 brightness levels.



Selecting Color & Function:

- Steady: Press a desired color button on Remote
- Flash: Press a desired color button on Remote then press the Flash Button
- Strobe: Press a desired color button on Remote then press the Strobe Button
- Steady: Press a desired color button on Remote
- Fade: Press a desired color button on Remote then press the Fade Button
- Smooth: Press the Smooth Button, Flood light will automatically change functions through 16 colors

| Function Description | 16 Colors | | | | | | | | | | | | | | | | Function | |
|-------------------------|-----------|---------|------|---------|---------|---------|--------|---------|----------|----------|----------|---------|----------|------|--------|--------|----------|----|
| | 1st Row | 2nd Row | | 3rd Row | | 4th Row | | 5th Row | | 6th Row | | 7th Row | | | | | | |
| | Red | Green | Blue | White | Green 2 | Blue 2 | Purple | Orange | Purple 2 | Orange 2 | Purple 3 | Yellow | Orange 3 | Teal | Teal 2 | Teal 3 | 65 | |
| 1 Color Button - Steady | ✓ | ✓ | ✓ | ✓ | ✓ | ✓ | ✓ | ✓ | ✓ | ✓ | ✓ | ✓ | ✓ | ✓ | ✓ | ✓ | ✓ | 16 |
| 2 Flash | ✓ | ✓ | ✓ | ✓ | ✓ | ✓ | ✓ | ✓ | ✓ | ✓ | ✓ | ✓ | ✓ | ✓ | ✓ | ✓ | ✓ | 16 |
| 3 Strobe | ✓ | ✓ | ✓ | ✓ | ✓ | ✓ | ✓ | ✓ | ✓ | ✓ | ✓ | ✓ | ✓ | ✓ | ✓ | ✓ | ✓ | 16 |
| 4 Fade | ✓ | ✓ | ✓ | ✓ | ✓ | ✓ | ✓ | ✓ | ✓ | ✓ | ✓ | ✓ | ✓ | ✓ | ✓ | ✓ | ✓ | 16 |
| 5 Smooth | | | | | | | | | | | | | | | | | | 1 |
| | DIMMER | | | | | | | | | | | | | | | | | |
| | TIMER | | | | | | | | | | | | | | | | | |

Safety Information (continued)

Responsible Party- U.S. Contact Information:
Company: HOME DEPOT INC
Address:2455 PACES FERRY ROAD ATLANTA, GA 30339
Customer service toll-free Number : For Home Accents Holiday call 1-855-HDHoliday (1-855-434-6543)

- FCC MODEL NO.: SZG-BK01-30W
- BATTERY INSTALLATION:**
- Carefully remove the remote from the packaging.
 - Remove the slide plate located on the back of the remote control.
 - Insert 2 x AAA batteries by aligning the appropriate (+/-) markings accordingly.
 - Replace the slide plate on the back of the remote control.

- CAUTION:**
- Remove and immediately recycle or dispose of used batteries according to local regulations and keep away from children. Do NOT dispose of batteries in household trash or incinerate.
 - Even used batteries may cause severe injury or death.
 - Call a local poison control center for treatment information.
 - Battery type: AAA battery.
 - Nominal battery voltage: 1.5V
 - Non-rechargeable batteries are not to be recharged.
 - Ensure the batteries are installed correctly according to polarity (+ and -).
 - Do not mix old and new batteries, different brands or types of batteries, such as alkaline, carbon-zinc, or rechargeable batteries.
 - Remove and immediately recycle or dispose of batteries from equipment not used for an extended period of time according to local regulations.
 - Always completely secure the battery compartment. If the battery compartment does not close securely, stop using the product, remove the batteries, and keep them away from children.
 - Replace the slide plate on the back of the remote control.

DISPOSAL AND RECYCLING:
Waste electrical products should not be disposed of with household waste. Please recycle where facilities exist. Check with your local authority or retailer for recycling advice. This is applies to the battery also.

Warranty

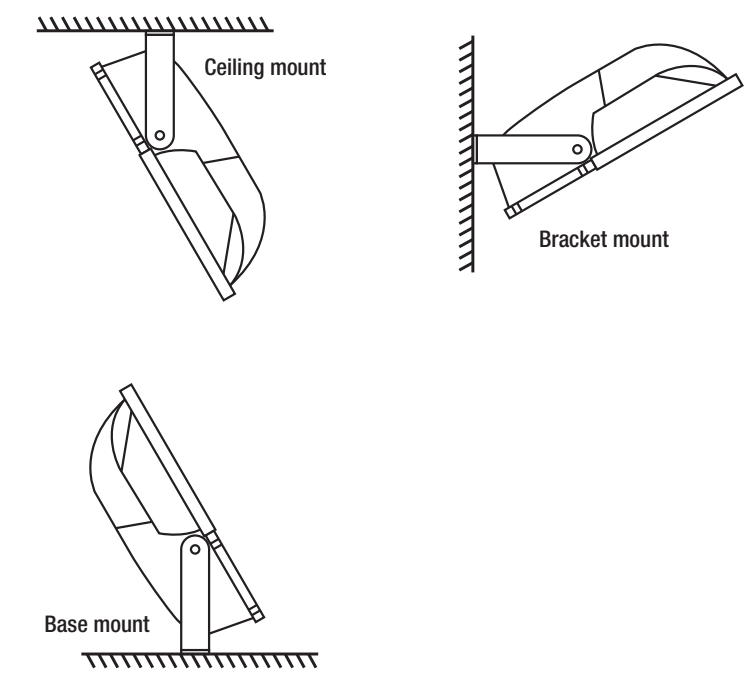
LIMITED WARRANTY
This product is warranted to be free from defects in workmanship and materials for up to three seasonal years from date of purchase. If it fails to do so, please contact the Customer Service Team at 1-855-HDHoliday (1-855-434-6543) or visit www.HOMEDEPOT.COM.

Questions, problems, missing parts? Before returning to the store, call HOME ACCENTS HOLIDAY Customer Service
8 a.m. - 7 p.m., EST, Monday-Friday, 9 a.m. - 6 p.m., EST, Saturday

1-855-HDHoliday (1-855-434-6543)
HOMEDEPOT.COM
Retain this manual for future use.

Document #: 25LE11055

3 Installation Methods



Disassembly & Storage

- Store in the original carton.
- Store in cool, dry location away from sunlight.

Troubleshooting

- Failure to light; unplug the product and check to see that the GFCI outlet is functioning.