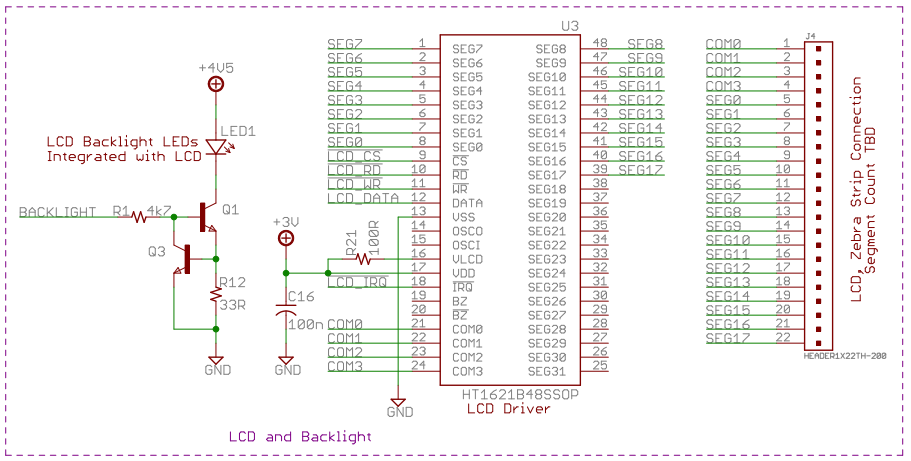
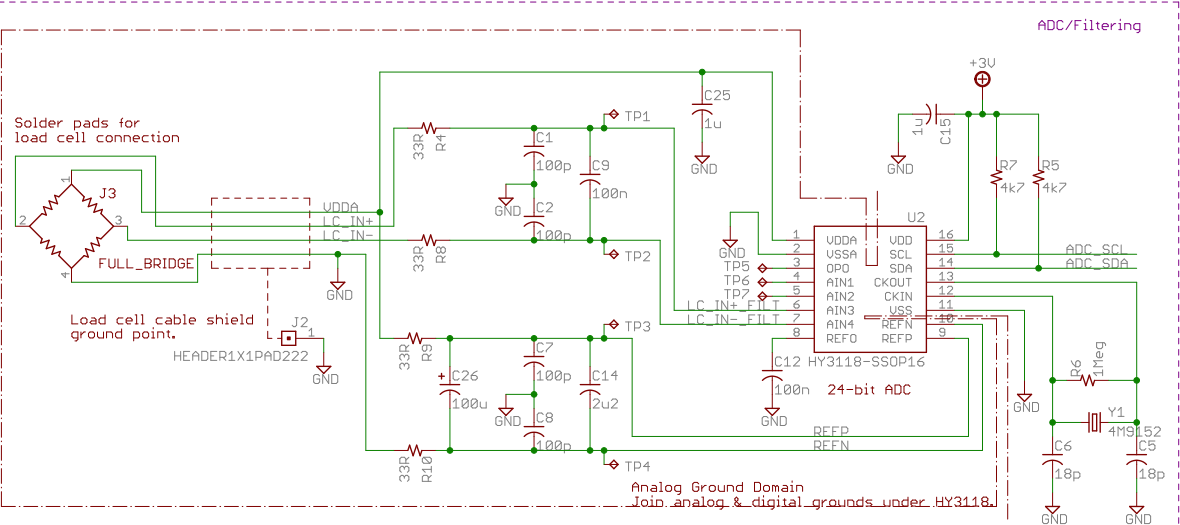


**Touch Keys:**  
 SW1: Timer, Top Left  
 SW2: Bluetooth, Bottom Left  
 SW3: Down/Tare/Off, Bottom Right  
 SW4: Up/Unit/On, Top Right



Revision History	
1.	Initial version
2.	Added HT1621B LCD driver and LCD. Removed LDO, using 2xAAA batteries. Using rev. 2' nrf51822 module.
3.	Changed 3-terminal caps to standard 2-terminal. Removed battery input resistor. Cap sensors changed to momentary switches. Move BAT_ADC to P0.01. Added button backlight LEDs.
4.	Added piezo buzzer. Batteries increased to 3x AAA. Added 3U LDO. 4x button backlight LEDs--OPTIONAL. Driver transistor for LCD backlight LED. Battery monitoring resistors set for 4.5U.
5.	Batteries, 3xAAA. Changed back to cap sensors. Constant current driver for LCD backlight. Drive transistors for button LEDs. Fixed UCC for nRF51822 Module.
6.	Constant current drivers for button LEDs.
7.	Changed to MD7533 LDO.
8.	Changed MD7533 to MD7530 for 3.0U. R26, 17, 23, and 28 changed to 6.8k.
9.	Change touch sensor capacitors C17, 19, 21, and 23 to 100n. Change (fix) R6 value to 1 Meg.
10.	Switch to KNRF51822_A24 module. LCD_LR on P0.25, ADC_SCL on P0.26, ADC_SDA on P0.27.
11.	Change C4 to 220uF. Change buzzer resistor R13 to 10R.

Pure Imagination BTLE Scale	
Main PCB	
TITLE: pi_btlescale	
Document Number:	REV: 11
Date: 7/15/15 22:59	Sheet: 1/1

